



# PARTS LIST FOR THREE DOOR REACH-IN FREEZERS

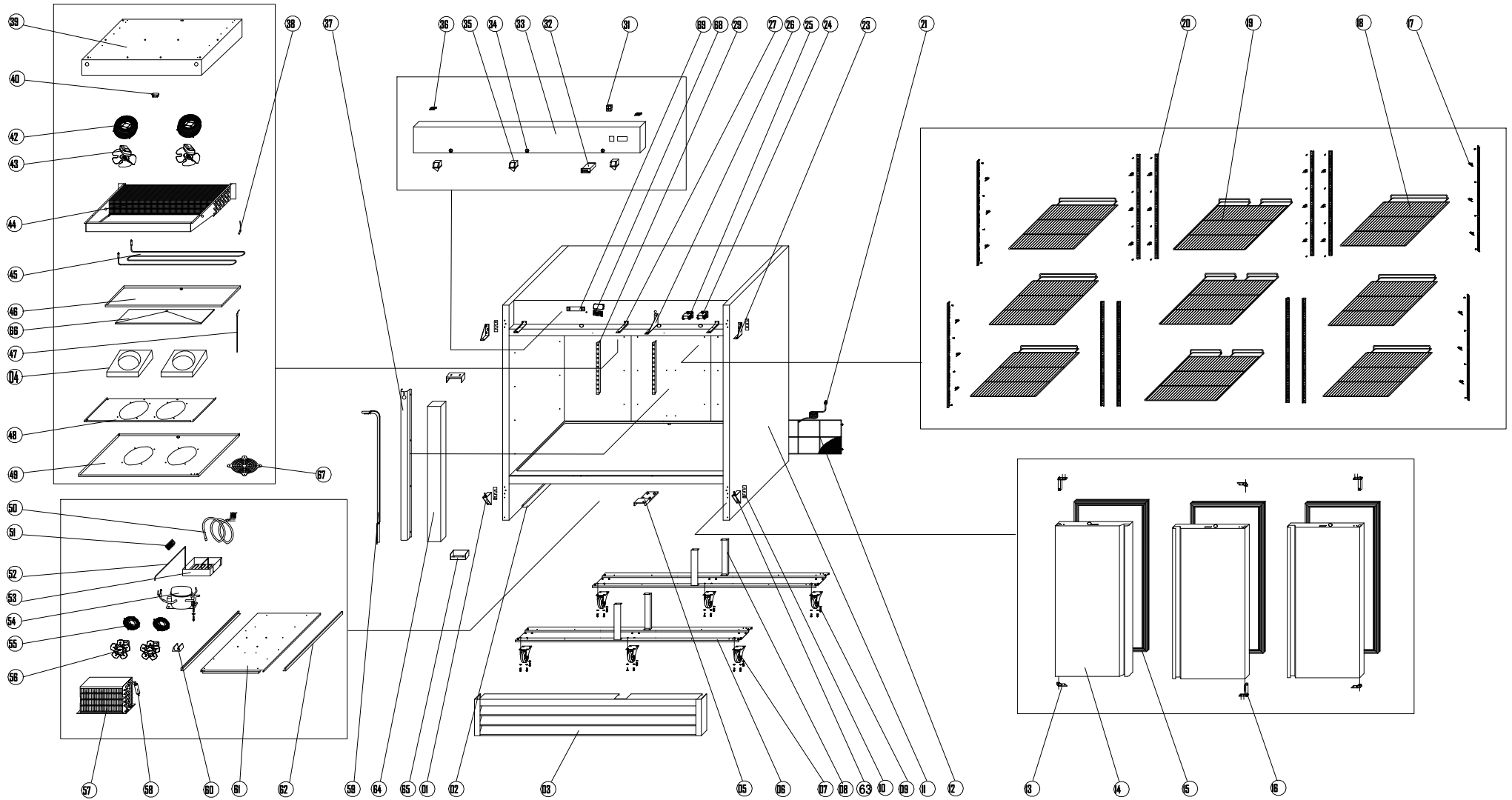
CF3-DV-HC



(R290)

CF3-DV-TSI-HC



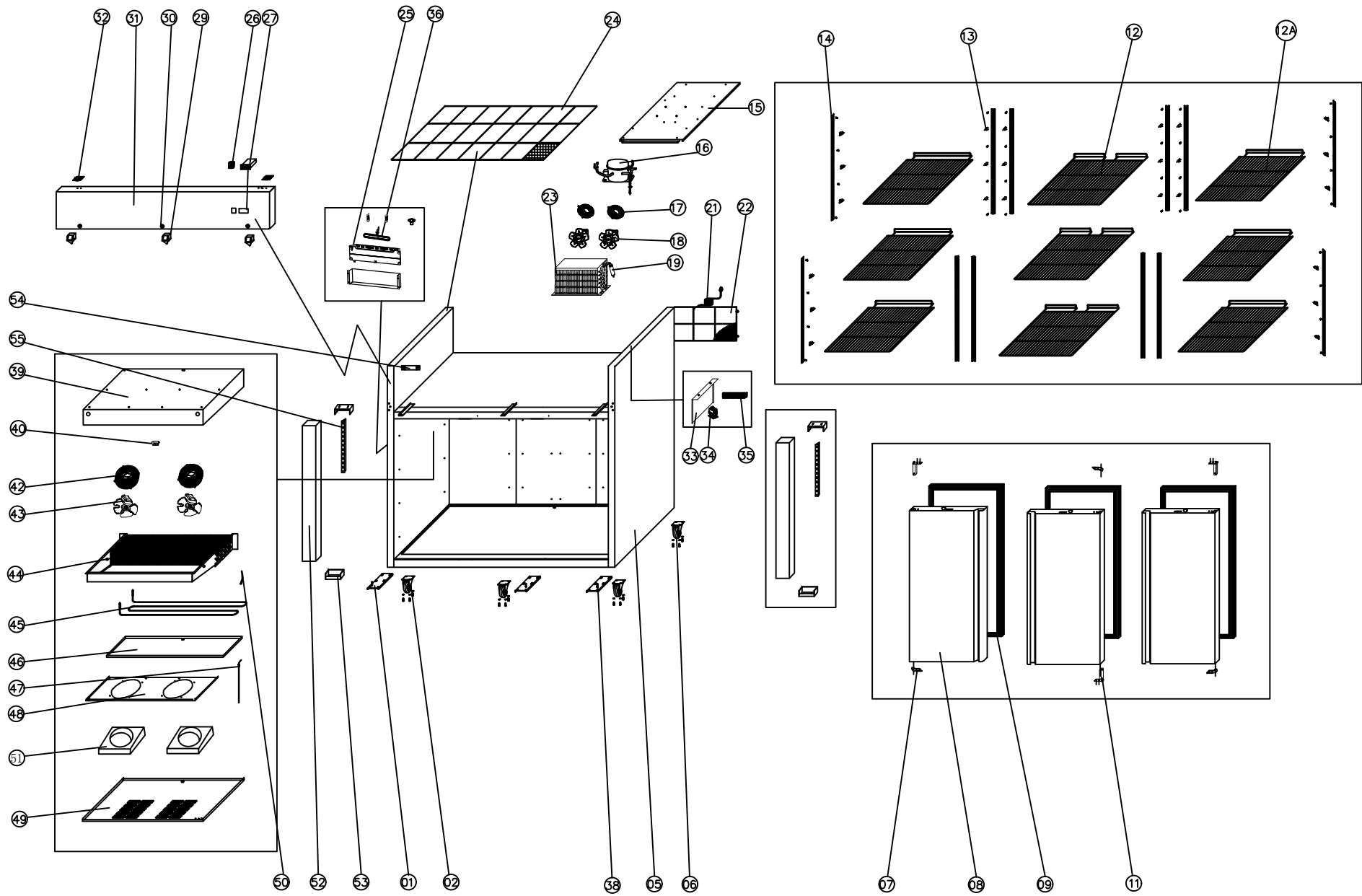


EXPLODED VIEW OF CF3-DV-HC

## MODEL CF3-DV-HC

N0.	PART #	DESCRIPTION	QTY
1	H00332	HINGE LOWER LEFT	1
2	N/A	RAIL	1
3	H00339	LOWER SHROUD (3 DOOR)	1
4	N/A	AIR GUIDE	2
5	H00334	HINGE, BOTTOM MIDDLE	1
6	N/A	BASE CHANNELL	2
7	H00316	CASTER, 4" SWIVEL W/BRAKE	3
8	N/A	SUPPORT BRACKET	4
9	H00317	CASTER, 4" SWIVEL W/O BRAKE	3
10	H00329	SHIM, LOWER DOOR HINGE	4
11	N/A	BODY	1
12	H00315	COVER, LOWER, REAR COMPARTMENT	1
13	H00326	HINGE AXIS JACKET, BOTTOM	3
14	H00324-3	FULL DOOR, SOLID BOTTOM MOUNT (HC)	3
15	H00325-3	GASKET, DOOR BOTTOM MOUNT (HC)	3
16	H00328	DOOR SPRING HINGE	3
17	C3234860	K SHAPE CLIP	36
18	H00308	SHELF /LEFTL/RIGHT	6
19	H00310	SHELF/MIDDLE	3
20	H00342	PILASTER (42.8" LONG)	12
21	C2194682	POWER CORD, 12AWG/NEMA L14-20P	1
23	H00330	HINGE, TOP LEFT	1
23	H00331	HINGE, TOP RIGHT	1
24	H00220-2	CONTACTOR (NCK3-40/2 POLE)	2
25	H00220-3	CONTACTOR (NCK3-40/1 POLE)	1
26	H00353	UP HINGE /MIDDLE	1
27	N/A	FIXED CLIP OF FRONT PANEL	3
29	C2194688	LED LIGHT STRIP	2
31	C2194692	MAIN SWITCH	1
32	HC0219-3	TEMPERATURE CONTROL BOARD (DIXELL XW06K 4N1F0 40A)	1
32	HC0219-2	TEMPERATURE CONTROL DISPLAY (DIXELL CX50)	1
33	HC0321	UPPER SHROUD (3 DR BAL DV)	1
34	H00340	DOOR LOCK	3
35	C2194676	DOOR SWITCH	3
36	H00321	HINGE	2
37	H00311	SUCTION PIPE COVER	1

N0.	PART #	DESCRIPTION	QTY
38	H00207	FUSE, THERMAL, DEFROST HEATER	1
39	N/A	FIXED BOARD OF EVAPORATOR	1
40	H00335	SENSOR CLIP	1
42	H00112	FAN GUARD, EVAPORATOR, WHITE	2
43	HC0116-3	EVAPORATOR FAN WITH BLADE	2
43	HC0116-F	FAN BLADE	2
44	HC0352	EVAPORATOR	1
45	HC2201	DEFROST HEATING ELEMENT	1
46	H00147	EVAPORATOR DRIP PAN	1
47	H00212	DRAIN PIPE HEATER	1
48	N/A	EVAPORATOR FAN SUPPORT	1
49	H03483	EVAPORATOR COVER	1
50	HDV0015B	HELIX SUCTION PIPE+CAPILLARY B	1
51	H00215	TERMINAL BLOCK	1
52	HC0165	EVAPORATE PIPE	1
53	C30014	CONDENSER DRAIN BOX	1
54	HC0019F	COMPRESSOR (NT2210U) W/FILTER DRIER	1
54	HC0019K	COMPRESSOR START KIT (NT2210U)	1
55	H00113	FAN GUARD, CONDENSER, BLACK	2
56	HC0162	CONDENSER FAN MOTOR WITH BLADE	2
56	HC0116-F	FAN BLADE	2
57	HC0345	CONDENSER	1
58	H00341	FILTER DRIER	1
59	HDV013A	VERTICAL SUCTION PIPE+CAPILLARY A	1
60	N/A	DRIER SUPPORT	1
61	N/A	CONDENSING SUPPORT PAN	1
62	N/A	GUIDE LEFT	1
62	N/A	GUIDE RIGHT	1
63	H00333	DOOR HINGE /DOWN/RIGHT	1
64	HC00117	CENTER MULLION	2
65	HC00112	CENTER MULLION BRACKET	4
66	N/A	SUPPORT PANEL	1
67	H00112-1	EVAPORATOR FAN GUARD	2
68	H108140044	Controller Protector	1
68	H108140043	Controller Protector Cover	1
69	H104070118	LED POWER SUPPLY	1



EXPLODED OF CF3-DV-TSI-HC

## MODEL CF3-DV-TSI-HC

NO.	PART #	DESCRIPTION	QTY.
1	C20021	HINGE, LOWER LEFT/RIGHT TOP MOUNT	3
2	H00316	CASTER, 4" SWIVEL W/BRAKE	3
5	N/A	BODY	1
6	H00317	CASTER, 4" SWIVEL W/O BRAKE	2
7	H00326	HINGE AXIS JACKET, BOTTOM	3
8	H00324-2HC	FULL DOOR, SOLID TOP MOUNT (HC)	3
9	H00325-2HC	GASKET, DOOR TOP MOUNT (HC)	3
11	H00328	DOOR SPRING	3
12	H00308	SHELF/LEFT/RIGHT	6
12	H00310	SHELF/MIDDLE	3
13	C3234860	K SHAPE CLIP	36
14	H03343	PILASTER	12
15	N/A	CONDENSING SUPPORT PAN	1
16	HC0019F	COMPRESSOR (NT2210U) W/FILTER DRIER	1
16	HC0019K	COMPRESSOR START KIT (NT2210U)	1
17	H00113	FAN GUARD, CONDENSER, BLACK	2
18	HC0162	CONDENSER FAN MOTOR WITH BLADE	2
19	H00341	FILTER DRIER	1
21	C2194682	POWER CORD, 12AWG/NEMA L14-20P	1
22	C20007	COVER, SCREEN, BLACK, CONDENSER, 3DR TSI	1
23	HC0345	CONDENSER	1
24	C20010	COVER, SCREEN, TOP, CONDENSER, 3DR TSI	1
25	C30002	CONDENSER DRAIN BOX, REAR MOUNT	1
26	C2194692	MAIN SWITCH	1
27	HC0219-3	TEMPERATURE CONTROL BOARD (DIXELL XW06K 4N1F0 40A)	1
27	HC0219-2	TEMPERATURE CONTROL DISPLAY (DIXELL CX50)	1

NO.	PART #	DESCRIPTION	QTY.
27	HC0219-2	TEMPERATURE CONTROL DISPLAY (DIXELL CX50)	1
29	C2194677	DOOR SWITCH	3
30	H00340	DOOR LOCK	3
31	HC0321-TSI	UPPER SHROUD (3 DR TSI DV)	1
32	H00321	HINGE	2
33	N/A	SUPPORT BRACKET	1
34	H00220-4	CONTACTOR	1
35	H00215	TERMINAL BLOCK	1
36	HC0166	DISCHARGE PIPE	1
38	H00327	HINGE PIN W/NUT	3
39	N/A	EVAPORATOR SUPPORT PAN	1
40	H03335	SENSOR CLIP	1
42	H00112	FAN GUARD, EVAPORATOR, WHITE	2
43	HC0116-3	EVAPORATOR FAN WITH BLADE	2
44	HC0352	EVAPORATOR	1
45	HC2201	DEFROST HEATING ELEMENT	1
46	H00147	EVAPORATOR DRIP PAN	1
47	H00212	DRAIN PIPE HEATER	1
48	N/A	EVAPORATOR FAN SUPPORT	1
49	H03482	EVAPORATOR COVER	1
50	H00207	FUSE, THERMAL, DEFROST HEATER	1
51	N/A	AIR GUIDE	2
52	HC00023	MIDDLE GIRDE	2
53	HC00112	CENTER MULLION BRACKET	4
54	H104070118	LED POWER SUPPLY	1
55	C2194688	LED LIGHT STRIP	2



For Tech Support or Parts Call:  
1-704-900-2068  
Website: <http://www.entree.biz>