

ENTRÉE FLOOR MODEL GAS FRYERS



PART LIST



Model F3
(3 Burner Fryer)



Model F4
(4 Burner Fryer)



Model F5
(5 Burner Fryer)

ENTRÉE FLOOR MODEL GAS FRYERS

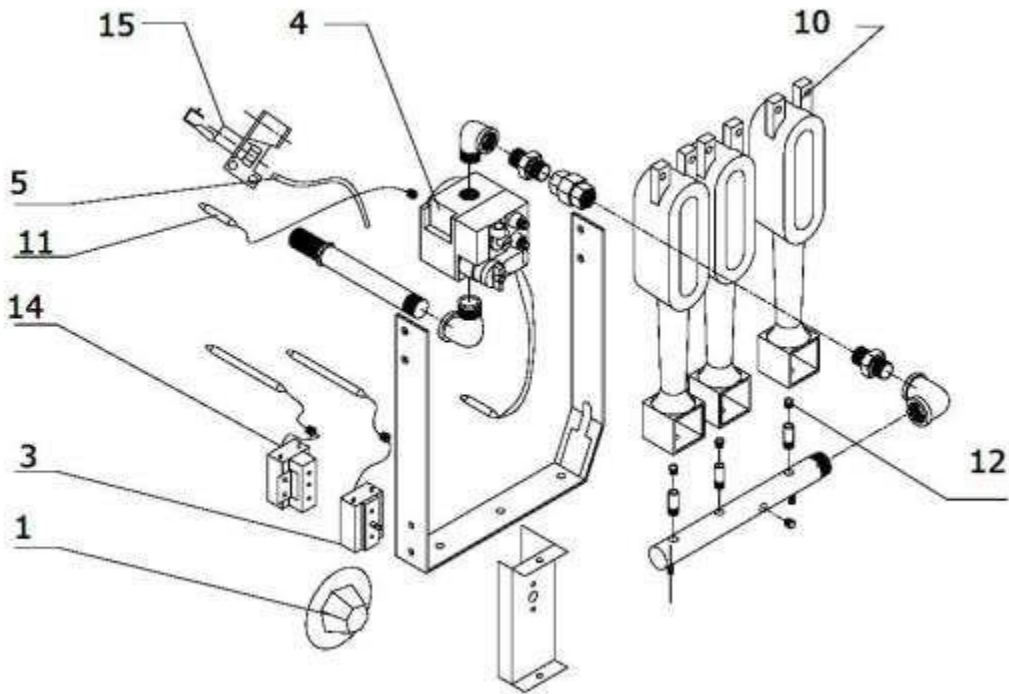
PARTS

NOTICE

Installation of other than genuine Entrée parts will void the warranty on this equipment.

The serial plate is located inside the front door on the left side.

Replacement parts may be ordered through an Entrée Authorized Parts Distributor. When ordering parts, please have the Model Number and Serial Number of your fryer, Part Number and Description.

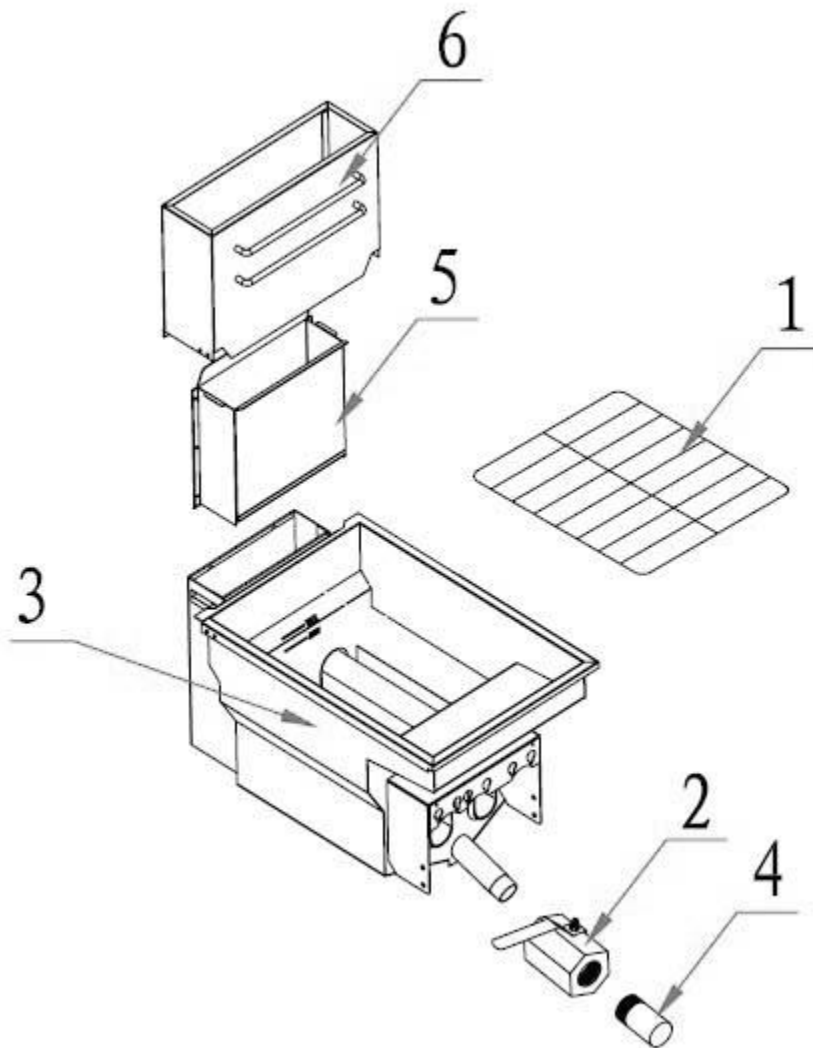


No.	Part #	Description	F3	F4	F5
1	400045	Thermostat Knob	1	1	1
3	400044	Regulating Thermostat, 200°F to 400°F	1	1	1
4	400042	Combination Gas Valve (Natural)	1	1	1
	400146	Combination Gas Valve (Propane)	*	*	*
5	400070	Flexible Pilot Tubing, 1/4"	1	1	1
10	300036	Right Fryer Burner	1	1	1
	300037	Center Fryer Burner	1	2	3
	300038	Left Fryer Burner	1	1	1
11	400043	Thermopile	1	1	1
12	300034	Main Burner Orifice #39 (Natural)	3	4	5
	300035	Main Burner Orifice #52 (Propane)	*	*	*
	300046	Orifice Extension	3	4	5
14	400046	Safety High Limit (450°F)	1	1	1
15	400047	Pilot 3-Way (Natural)	1	1	1
	400048	Pilot 3-Way (Propane)	*	*	*

For Warranty Service Call (704)-900-2068

ENTRÉE FLOOR MODEL GAS FRYERS

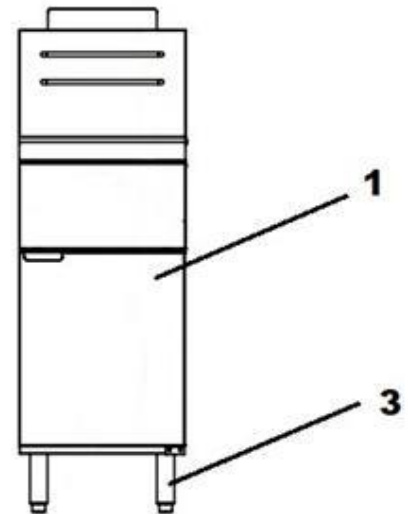
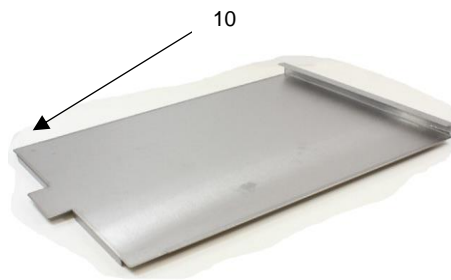
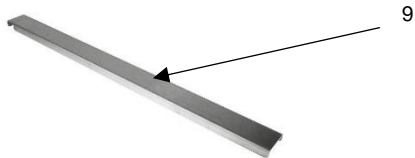
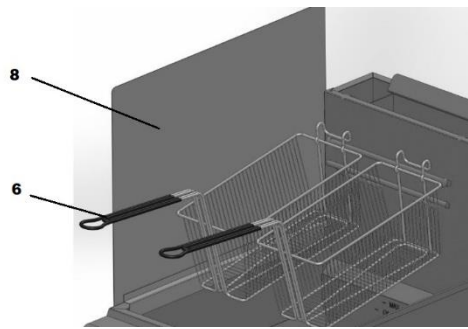
PARTS (CONTINUED)



No.	Part #	Description	F3	F4	F5
1	400037	Basket Support	1	1	
	400058	Basket Support			1
2	400036	Drain Valve, (Ball Style)	1	1	1
3	C200016	Fry Tank Only	1		
	C200017	Fry Tank Only		1	
	C200056	Fry Tank Only			1
4	400071	Drain Extension	1	1	1
5	400075	Flue Top	1		
	400076	Flue Top		1	
	400077	Flue Top			1
6	400078	Flue Wrap	1	1	
	400079	Flue Warp			1

For Warranty Service Call (704)-900-2068

ENTRÉE FLOOR MODEL GAS FRYERS



No.	Part #	Description	F3	F4	F5
1	100106	Door Assembly Complete	1	1	
	100137	Door Assembly Complete			1
	300032	Door Magnet	1	1	1
3	400147	6" Adjustable Leg	4	4	4
	266001-1	Caster Kit, (2 Front Swivel w/Brake, 2 Rear Fixed)	OPT	OPT	OPT
6	400057	Fry Basket (13.25" L x 6.5" W x 6" D)	2	2	
	400039	Fry Basket (17.5" L x 9.25" W x 6" D)			2
8	400072	FLAME GUARD (OPTIONAL)			
9	266863-2	FRYER TO FRYER CONNECTOR STRIP (OPTIONAL)	1	1	
	266863-3	FRYER TO FRYER CONNECTOR STRIP (OPTIONAL)			1
10	266211-1	FRY TANK COVER (OPTIONAL)	1	1	
	266211-2	FRY TANK COVER (OPTIONAL)			1



**Warranty Service– Technical Support
(704) 900 2068**

A product with the Entrée name incorporates the best in durability and low maintenance. We all recognize, however, that replacement parts and occasional profession service may be necessary to extend the useful live of this unit. When service is needed, contact an Entrée Authorized Service Provider, or your equipment dealer. To avoid confusion, always refer to the model number, serial number and the type of your unit. Thank You!



Conforms to ANSI+
STD Z83.11-2016+
Certified to CSA+
STD 1.8-2016+
Conforms to+
NSF/ANSI STD 4+

Entrée LLC, 4673 OSBORNE DRIVE, SUITE D, EL PASO, TX 79922