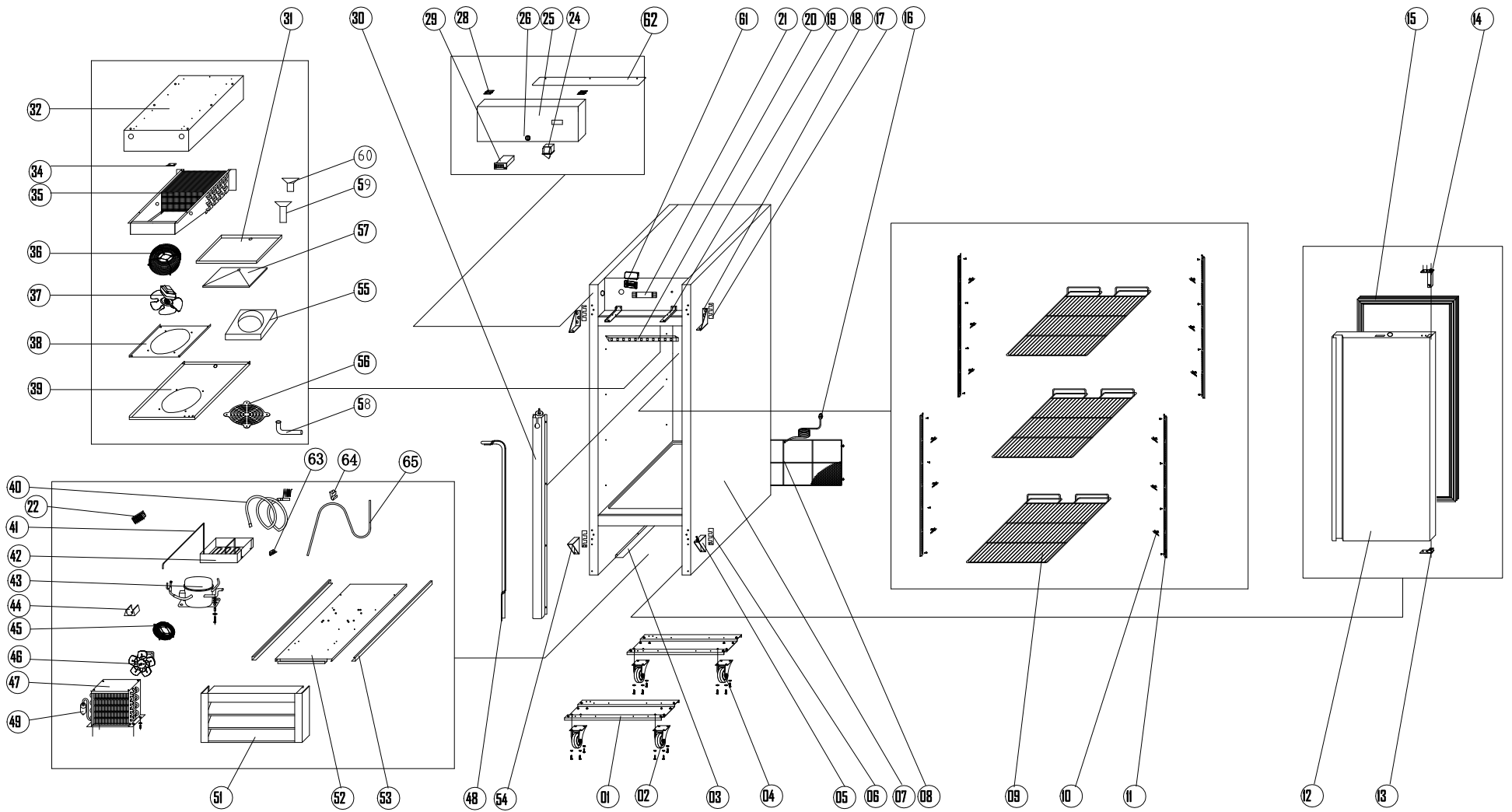




PARTS LIST
REACH-IN MODELS
CR1-HC, CR2-HC, & CR3-HC

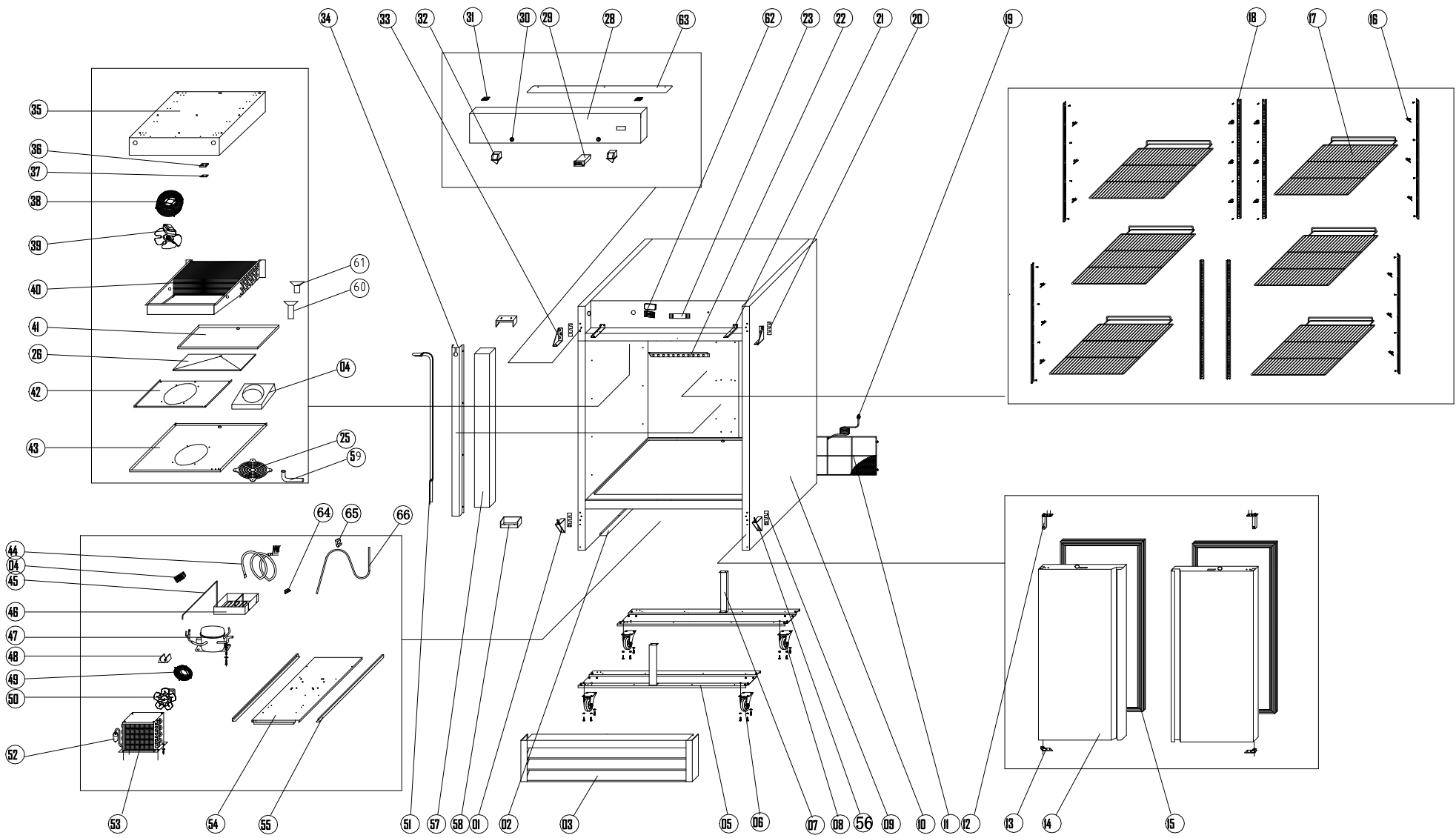


**Above picture of CR1-HC
(R290)**



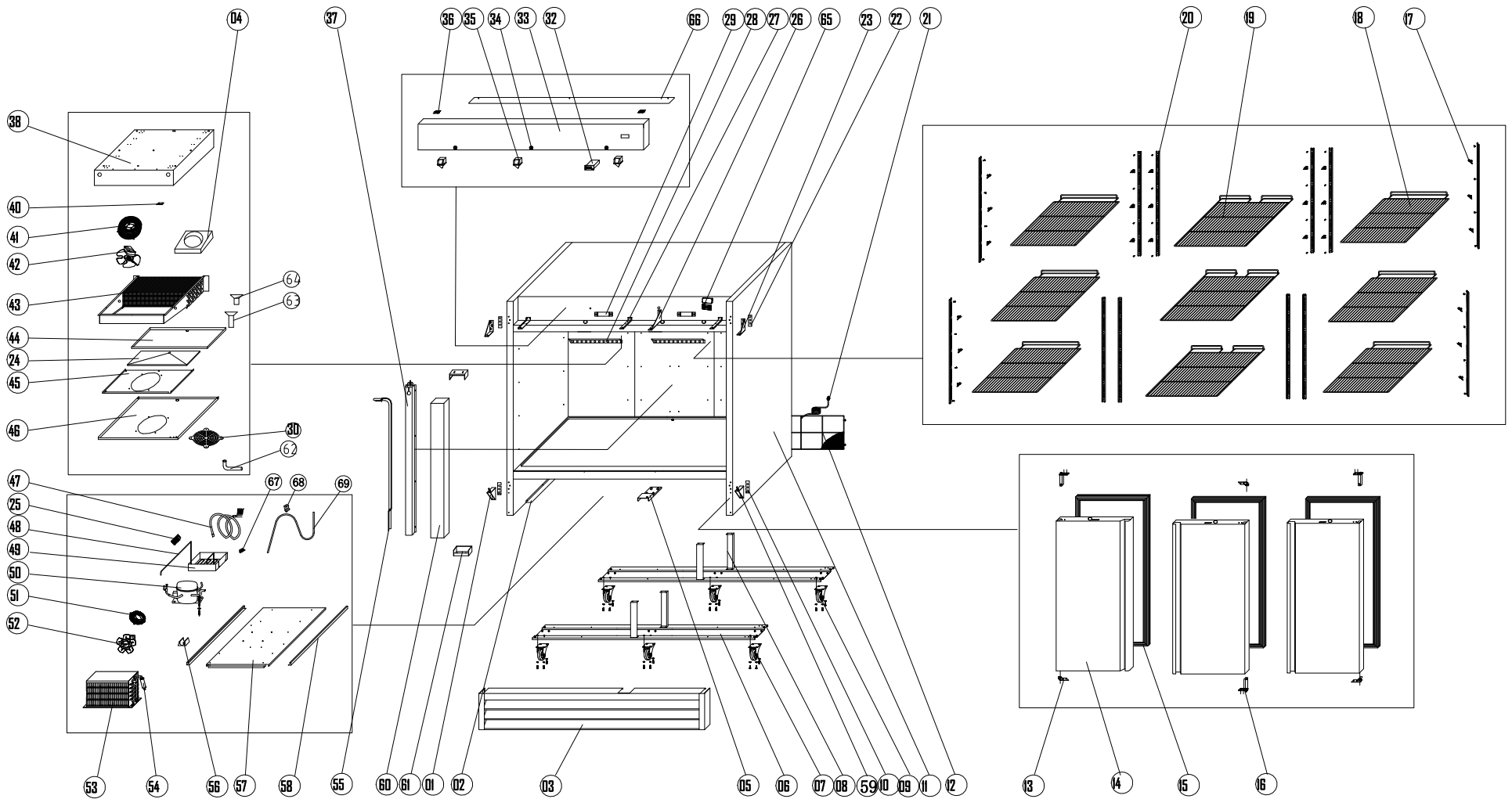
CR1-HC

NO.	Entrée #	NAME	QTY.
1	N/A	Support Of Unit Board	2
2	H00316	SWIVEL CASTER 4" W/BRAKE	2
3	N/A	Baffle Plate	1
4	H00317	SWIVEL CASTER 4" W/O BRAKE	2
5	H00333	Door Hinge /Down Right	1
6	H00329	SHIM, LOWER	2
7	N/A	BODY	1
8	H00313	COVER, LOWER REAR COMPARTMENT	1
9	H00307	SHELF	3
9	H00307-C	SHELF W/4 CLIPS	3*
10	C3234860	PILASTER CLIP	12
11	H00342	PILASTER	4
12	H00324-3	DOOR, SOLID, BOTTOM MOUNT (HC)	1
13	H00326	HINGE AXIS JACKET, BOTTOM	1
14	H00328	HINGE CARTRIDGE, SELF CLOSING	1
15	H00325-3	GASKET, DOOR BOTTOM MOUNT (HC)	1
16	C2194684	POWER CORD, 14AWG/NEMA 5-15P	1
17	H00329-1	SHIM, UPPER HINGE	2
18	H00331	HINGE, UPPER RIGHT	1
18	H00330	HINGE, UPPER LEFT	*
19	N/A	Fixed Clip Of Front Panle	2
20	C2194688	LED LIGHT STRIP (REACH-IN) (LED2835, 2.4W, 24 VDC)	1
21	H104070118	LED POWER SUPPLY	1
22	H00215	TERMINAL BLOC, 5 POLL	1
24	C2194677	DOOR SWITCH 3 PIN WHITE (HC-050K4)	1
25	H5114000647	SHROUD, UPPER	1
26	H00340	DOOR LOCK	1
28	H00321	HINGE, UPPER SHROUD	2
29	HC0219-1	TEMPERATURE CONTROL BOARD (DIXELL XW03K)	1
29	HC0219-2	TEMPERATURE CONTROL DISPLAY (DIXELL CX50)	1
30	H00311	CHANNEL SUCTION LINE COVER	1
31	HC0142	EVAPORATOR DRIP PAN	1
32	N/A	EVAPORATOR PAN	1
34	H00335	Sensor Fixed Clip	1
35	HC0349R	EVAPORATOR COIL	1
36	H00112	FAN GUARD, EVAPORATOR, WHITE	1
37	HC0116-2	EVAPORATOR FAN MOTOR (IQC3608-010315/A03 L-600)	1
38	HC0131	EVAPORATOR FAN MOTOR SUPPORT	1
39	HC0151	EVAPORATOR FAN COVER, WHITE	1
40	HDV0011B	HELIX SUCTION PIPE+CAPILLARY B	1
41	HC0149	SUCTION PIPE	1
42	C30014	CONDENSER DRAIN BOX	1
43	HC0001F	COMPRESSOR (EM2X3117U) W/ FILTER DRIER	1
44	N/A	Drier Support	1
45	H00113-1	FAN GUARD BLACK (CONDENSER)	1
46	H00110	CONDENSER FAN MOTOR, 9W M4Q045-CA27-04/CA01	1
47	HC0347	CONDENSER COIL	1
48	HDV008A	VERTICAL SUCTION PIPE+CAPILLARY A	1
49	H00341	FILTER DRIER	1
51	H00337	BOTTOM SHROUD (ENTRÉE)	1
51	H00337	BOTTOM SHROUD (CENTAUR PLUS)	1
52	N/A	CONDENSER PAN	1
53	N/A	GUIDE RAIL	2
53	N/A	GUIDE RAIL	
54	H00332	Door Hinge /Down Left	1
55	N/A	AIR GUIDE	1
56	H00112-1	EVAPORATOR FAN GUARD	1
57	N/A	SUPPORT PAN	1
58	H00336	DRAIN JOINT	1
59	G30002	DRAIN PIPE FITTING	1
60	G30001	DRAIN PIPE FITTING	1
61	H108140044	CONTROL PROTECTOR	1
61	H108140043	CONTROL PROTECTOR COVER	1
62	N/A	TOP COVER	1
63	N/A	DRAIN BRACKET	1
64	N/A	DRAIN HOLDER	1
65	HC0391	DRAIN PIPE	1



CR2-HC

NO.	Entrée #	NAME	QTY.
1	H00332	Door Hinge /Down Left	1
2	N/A	Baffle Plate	1
3	H00338	LOWER SHROUD, 2DRS BOTTOM MOUNT	1
4	N/A	AIR GUIDE	1
5	N/A	LOWER SUPPORT PANEL	2
6	H00316	SWIVEL CASTER 4" W/BRAKE	2
7	N/A	STRUCTURE SUPPORT	2
8	H00317	SWIVEL CASTER 4" W/O BRAKE	2
9	H00329	SHIM, LOWER	2
10	N/A	BODY	1
11	H00314	COVER, LOWER REAR COMPARTMENT	1
12	H00328	HINGE CARTRIDGE, SELF CLOSING	2
13	H00326	HINGE AXIS JACKET, BOTTOM	2
14	H00324-3	DOOR, SOLID, BOTTOM MOUNT (HC)	2
15	H00325-3	GASKET, DOOR BOTTOM MOUNT (HC)	2
16	C3234860	PILASTER CLIP	24
17	H00308	SHELF, LEFT OR RIGHT	6
17	H00308-C	SHELF, LEFT OR RIGHT W/4 CLIPS	*
18	H00342	PILASTER	8
19	C2194684	POWER CORD, 14AWG/NEMA 5-15P	1
20	H00329-1	SHIM, UPPER HINGE	2
21	N/A	Fixed Clip Of Front Panle	2
22	C2194688	LED LIGHT STRIP (REACH-IN) (LED2835, 2.4W, 24 VDC)	1
23	H104070118	LED POWER SUPPLY	1
24	H00215	TERMINAL BLOC, 5 POLL	1
25	H00112-1	EVAPORATOR FAN GUARD	1
26	N/A	SUPPORT PAN	1
28	HC0319	SHROUD, UPPER 2DR BTM MT	1
29	HC0219-1	TEMPERATURE CONTROL BOARD (DIXELL XW03K)	1
29	HC0219-2	TEMPERATURE CONTROL DISPLAY (DIXELL CX50)	1
30	H00340	DOOR LOCK	2
31	H00321	HINGE, UPPER SHROUD	2
32	C2194677	DOOR SWITCH 3 PIN WHITE (HC-050K4)	2
33	H00330	HINGE, UPPER LEFT	1
33	H00331	HINGE, UPPER RIGHT	1
34	H00311	CHANNEL SUCTION LINE COVER	1
35	N/A	EVAPORATOR SUPPORT	1
37	H00335	Sensor Fixed Clip	1
38	H00112	FAN GUARD, EVAPORATOR, WHITE	1
39	HC0116-1	EVAPORATOR FAN MOTOR (IQC3608-010315/A03)	1
40	HC0350R	EVAPORATOR COIL	1
41	H00143.1	Evaporator Water Pan	1
42	N/A	EVAPORATOR FAN SUPPORT	1
43	H00153	EVAPORATOR COVER, WHITE	1
44	HDV0010B	HELIX SUCTION PIPE+CAPILLARY B	1
45	HC0149	SUCTION PIPE	1
46	C30014	CONDENSER DRAIN BOX	1
47	H00039F	COMPRESSOR (EM2X3125U) W/ FILTER DRYER	1
47	H00228	START KIT, FOR COMPRESSOR EM2X3125U	*
48	N/A	FILTER DRIER BRACKET	1
49	H00113-1	FAN GUARD BLACK (CONDENSER)	1
50	H00110	CONDENSER FAN MOTOR, 9W M4Q045-CA27-04/CA01	1
51	H00303	CAPILLARY TUBE .055" ID X 118.1" L	1
52	H00341	FILTER DRIER	1
53	HC0347	CONDENSER COIL	1
54	N/A	CONDENSER PAN	1
55	N/A	GUIDE RAIL	1
55	N/A	GUIDE RAIL	1
56	H00333	HINGE, LOWER RIGHT	1
57	HC00022	CENTER MULLION	1
58	HC00112	CENTER MULLION BRACKET	2
59	H00336	DRAIN JOINT	1
60	G30002	DRAIN PIPE FITTING	1
61	G30001	DRAIN PIPE FITTING	1
62	H108140044	CONTROL PROTECTOR	1
62	H108140043	CONTROL PROTECTOR COVER	1
63	N/A	TOP COVER	1
64	N/A	DRAIN BRACKET	1
65	N/A	DRAIN HOLDER	1
66	HC0391	DRAIN PIPE	1



CR3-HC

NO.	Entrée #	NAME	QTY.
1	H00332	HINGE, BOTTOM LEFT	1
2	N/A	BAFFLE PLATE	1
3	H00339	LOWER SHROUD, 3DRS	1
4	N/A	AIR GUIDE	1
5	H00334	HINGE, BOTTOM MIDDLE	1
6	N/A	LOWER SUPPORT CHANNEL	2
7	H00316	SWIVEL CASTER 4" W/BRAKE	3
8	N/A	STRUCTURE SUPPORT	4
9	H00317	SWIVEL CASTER 4" W/O BRAKE	3
10	H00329	SHIM, LOWER	2
11	N/A	BODY	1
12	H00315	COVER, LOWER REAR COMPARTMENT	1
13	H00326	HINGE AXIS JACKET, BOTTOM	3
14	H00324-3	DOOR, SOLID, BOTTOM MOUNT (HC)	3
15	H00325-3	GASKET, DOOR BOTTOM MOUNT (HC)	3
16	H00328	HINGE CARTRIDGE, SELF CLOSING	3
17	C234860	PILASTER CLIP	36
18	H00308	SHELF, LEFT OR RIGHT	6
18	H00308-C	SHELF, LEFT OR RIGHT W/4 CLIPS	
19	H00310	SHELF, MIDDLE	3
19	H00310-C	SHELF, MIDDLE W/4 CLIPS	3
20	H00342	PILASTER	12
21	C2194684	POWER CORD, 14AWG/NEMA 5-15P	1
22	H00329-1	SHIM, UPPER HINGE	3
23	H00330	HINGE, UPPER LEFT	1
23	H00331	HINGE, UPPER RIGHT	1
24	N/A	SUPPORT PAN	1
25	H00215	TERMINAL BLOC, 5 POLL	1
26	H00353	HINGE, TOP MIDDLE	1
27	N/A	FRONT PANEL CLIP	3
28	C2194688	LED LIGHT STRIP (REACH-IN) (LED2835, 2.4W, 24 VDC)	2
29	H104070118	LED POWER SUPPLY	2
30	H00112-1	EVAPORATOR FAN GUARD	1
32	HC0219-1	TEMPERATURE CONTROL BOARD (DIXELL XW03K)	1
32	HC0219-2	TEMPERATURE CONTROL DISPLAY (DIXELL CX50)	1
33	HC0320	SHROUD, UPPER 3DR BTM MT	1
34	H00340	DOOR LOCK	3
35	C2194677	DOOR SWITCH 3 PIN WHITE (HC-050K4)	3
36	H00321	HINGE, UPPER SHROUD	2
37	H00311	CHANNEL SUCTION LINE COVER	1
38	N/A	EVAPORATOR SUPPORT	1
40	H00335	SENSOR BRACKET	1
41	H00112	FAN GUARD, EVAPORATOR, WHITE	1
42	HC0116-1	EVAPORATOR FAN MOTOR (IQC3608-010315/A03 L-900)	1
43	HC0353R	EVAPORATOR COIL	1
44	H00143.1	EVAPORATOR DRIP PAN	1
45	N/A	MOTOR SUPPORT, EVAP FAN	1
46	H00153	EVAPORATOR COVER, WHITE	1
47	HDV0012B	HELIX SUCTION PIPE+CAPILLARY B	1
48	HC0158	SUCTION PIPE	1
49	C30014	CONDENSER DRAIN BOX	1
50	HC0009F	COMPRESSOR (NUG90LR) W/ FILTER DRIER	1
50	H00230	START KIT, FOR COMPRESSOR NUG90LR	*
51	H00123	FAN GUARD BLACK (CONDENSER)	1
52	H00120	MOTOR, CONDENSER FAN, M4Q045-BD03-04/CO6 (5W)	2
53	HC0348	CONDENSER COIL	1
54	H00341	FILTER DRIER	1
55	H00305	CAPILLARY TUBE .063" ID X 177.2" L	1
56	N/A	FILTER DRIER BRACKET	1
57	N/A	LOWER SUPPORT PANEL	1
58	N/A	GUIDE RAIL	1
58	N/A	GUIDE RAIL	1
59	H00333	HINGE, LOWER RIGHT	1
60	HC00021	CENTER MULLION	2
61	HC00112	CENTER MULLION BRACKET	4
62	H00336	DRAIN JOINT	1
63	G30002	DRAIN PIPE FITTING	1
64	G30001	DRAIN PIPE FITTING	1
65	H108140044	CONTROL PROTECTOR	1
65	H108140043	CONTROL PROTECTOR COVER	1
66	N/A	TOP COVER	1
67	N/A	DRAIN BRACKET	1
68	N/A	DRAIN HOLDER	1
69	HC0391	DRAIN PIPE	1



For Tech Support or Parts Call:

1-704-900-2068

Website: <https://www.entree.biz>