

COUNTER ELECTRIC CONVEYOR TOASTER

Model ECT300



STANDARD FEATURES

- Intellectually Speed Control for maximum accuracy to the degree of color for both sides of bread and best taste.
- Place product on the guiding grid and it will be delivered into the toaster, which is user-friendly and convenient.
- Stainless Steel Front and Nonslip legs
- Crumbs collected by tray under the conveyor for easy cleaning
- Toast can be discharged from either side, front or rear.
- Durable knobs
- Supplied with power cord and OS-3J 6-20P
- Self contained heating element

Entrée's Electric Coveyor Toaster is ideal for any counter top in restaurants or food service establishment for all your toasting needs. Light-weight and convenient for buffet tables, cafeterias, mobile kitchens, and caterers. These counter conveyor toaster can a variety of setting at any location.

Constructed of stainless steel, this toast operates with radiant heat elements. User-Freindly operations features Intellectually Speed Control . This provides accurate control for toasting to maximize quality and deisire taste. The toaster is provided with non-skid feet to keep the unit in place. The product comes with a cord set, (5' lenght), and a OS-3J 6-20P plug.

Warranty: Entrée's exclusive parts and labor FUSS warranty takes effect at time of purchase for 1 year.

***Not suitable for installation in a non-commercial or residential applications**

Customer Service (704) 900-2068 - www.entree.biz - greatfood@entree.biz

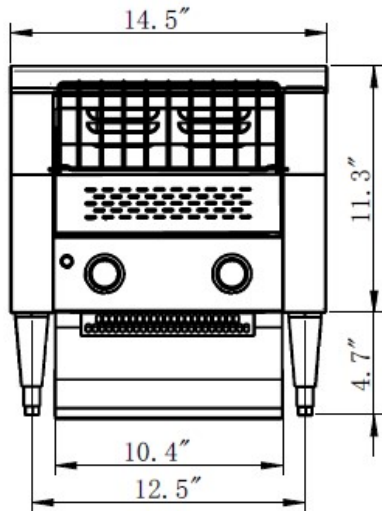




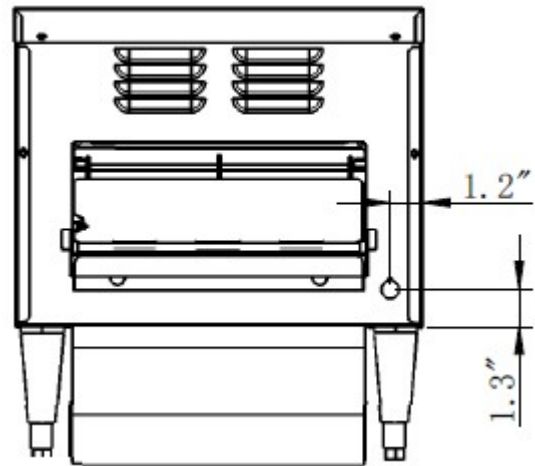
DETAILS AND DIMENSIONS

Line Drawings and Loading Chart

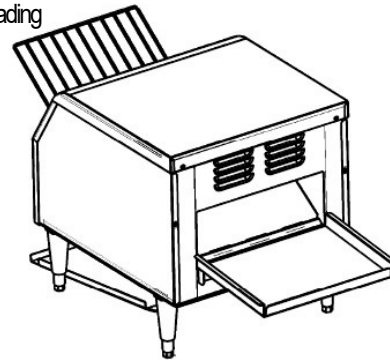
Front View



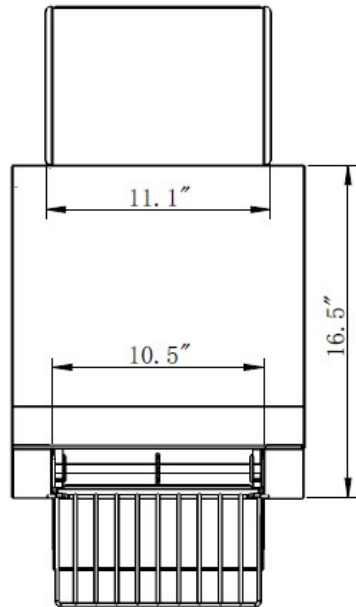
Rear View



Front Loading Rack

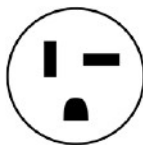
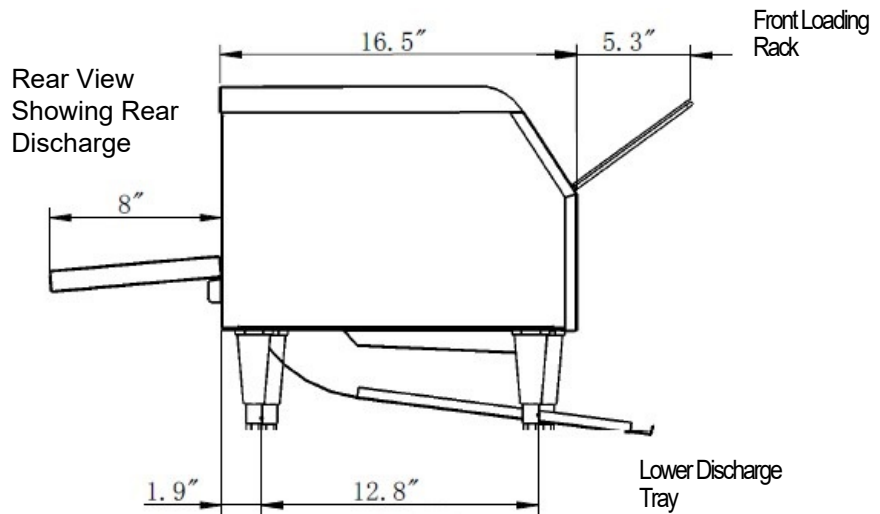


Rear View Showing Rear Discharge



Top View

Side View



Drawing of OS-3J 6-20P Plug

Model	Height Inches (mm)	Width Inches (mm)	Depth Inches (mm)	Belt width	Slices of Toast per Hour	Voltage A.C.	kW	Amps (1ø)	Plug Type	Approx Shipping Weight	Approx. Net Weight Lbs (Kg)	Shipping Dimensions
ECT300	16(406)	14.5" (368)	16.5" (419)	10.5	300-350	120 VAC	1.75	14.6	OS-3J 6-20P	40 LBS.	35.25 LBS	20"X17.5"X15"