

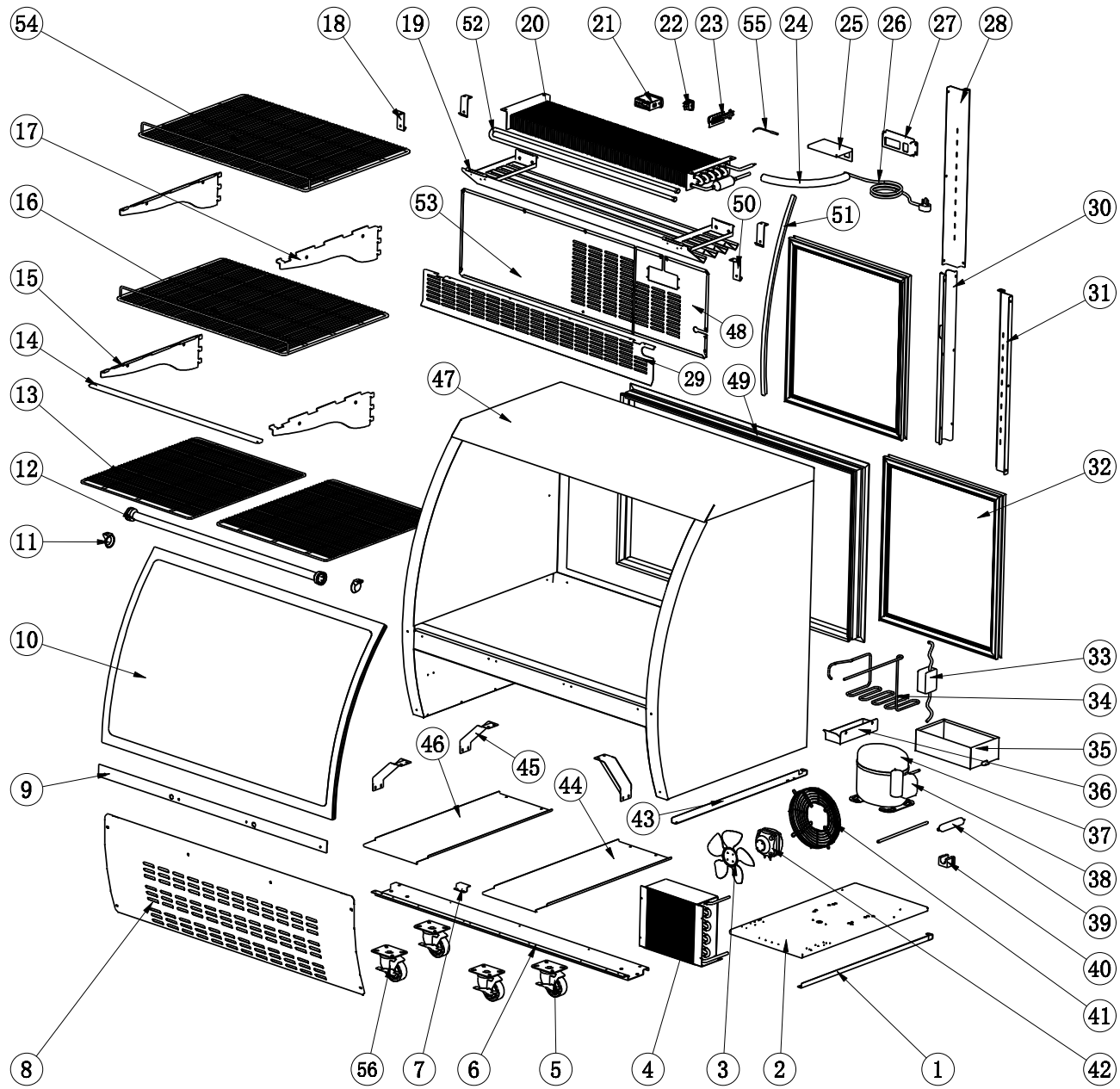


## PART LIST FOR DELI CASES:

EDC36X, EDC47X, EDC64X, EDC79X



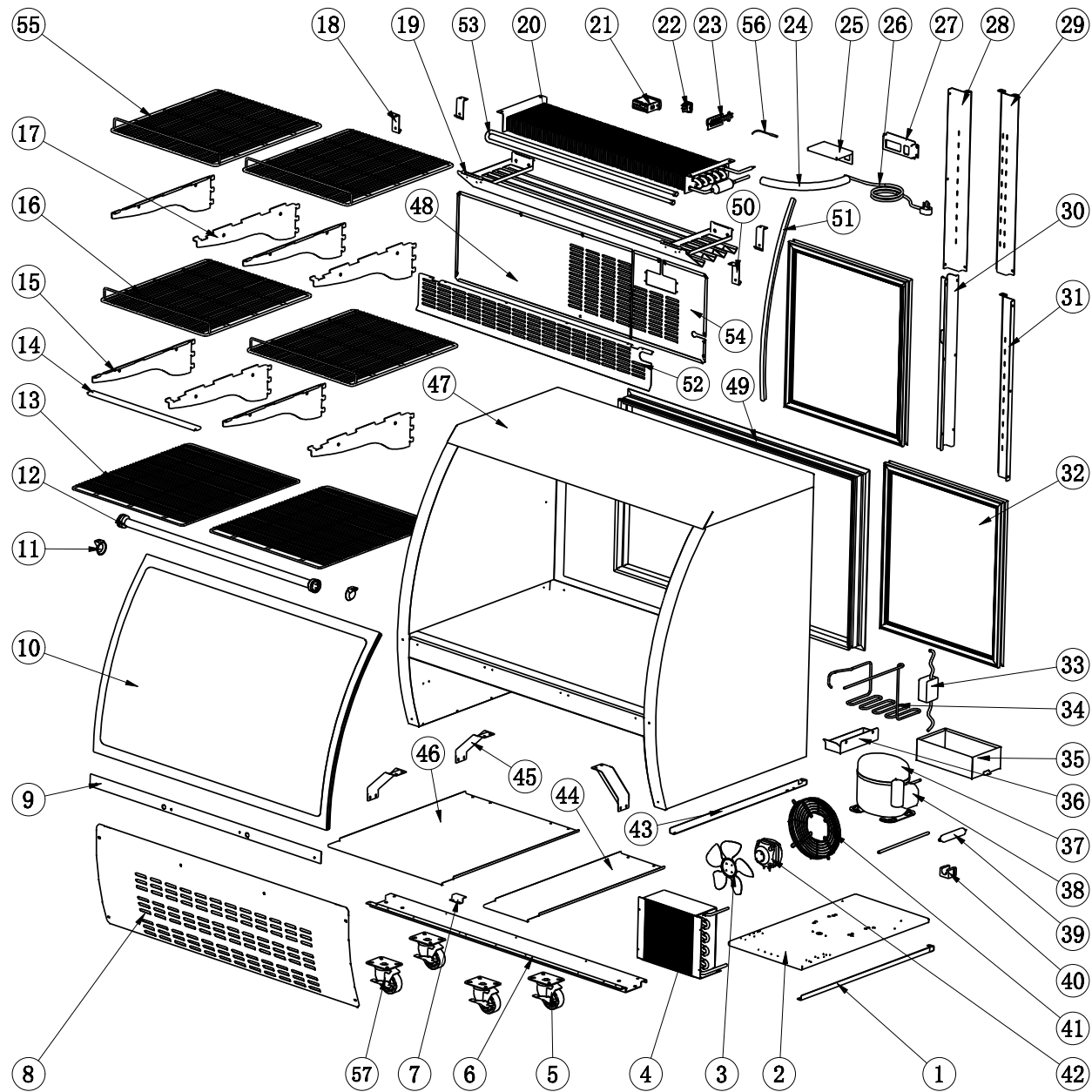
For Parts Call 704-900-2068, Option #2



# MODEL EDC36X

NO.	PART#	DESCRIPTION	QTY
1	(*)	RIGHT TRACK OF INSTALLATION BOARD	1
2	(*)	INSTALLATION BOARD OF COMPRESSOR	1
3	X16381738122	CONDENSER FAN MOTOR BLADE	1
4	XSBC07036	CONDENSER COIL	1
5	X12533040010	SWIVEL CASTER 3" W/OBRAKE	2
5	X12534030002	LEVELING FEET (OPTIONAL)	4
6	(*)	SUPPORT BOARD OF LEVELING FEET	2
7	(*)	LIMITED BLOCK OF INSTALLATION BOARD	1
8	XDC001837	GRILL LOWER FRONT	1
9	(*)	FIXED BOARD OF CURVE GLASS	1
10	XDC664960	CURVED GLASS (31.9 X 28.3 X .67) (*)	1
11	X17740410069	SOCKETS (SUPPLIED WITH LED LIGHTS)	1
12	X17740410069	LED LIGHT W/SOCKETS	1
13	XDC013425	SHELF LOWER (15.2" X 24.8")	2
14	XDC001146	SHELF SUPPORT BRACKET	4
15	XDC001147	SHELF SUPPORT - RIGHT	4
16	XDC013424	SHELF MIDDLE (29.1" X 22.4")	1
17	XDC001148	SHELF SUPPORT - LEFT	2
18	XDC001149	SHELF HANGER	2
19	XDC001839	GRILL FOR EVAPORTATOR	1
20	XDC060570	EVAPORATOR COIL	1
21	XDC030013	THERMOSTAT CONTROL (XR06CX-4N0C1/ 115VAC)	1
22	XRI0056	LAMP SWITCH(RED)	1
23	X16357060003	TEMPERATURE SENSOR CLIP	1
24	X15818180013	DRAIN HOSE	1
25	X16351170004	WATERPROOF COVER FOR THERMOSTAT	1
26	XX-2194684	POWER CORD(NEMA 5-15P, 16 AWG, 8.2')	1
27	(*)	DIGITAL THERMOSTAT INSTALLATION BOX	1
28	XDC001151	SHELF BRACKET - RIGHT	1
29	XDC001840	EVAPORATOR BAFFLE (*)	1
30	XDC001153	AIR PIPE COVER (*)	1
31	XDC001154	SHELF BRACKET - LEFT	1
32	XDC080076	GLASS DOOR (*)	2
33	X22753530009	LED POWER SUPPLY	1
34	XDC060016	SERPENTINE TUBING FOR DRAIN PAN (3" X 80.75" X 0.02)	1
35	X16316130008	OUTER DRAIN PAN (9.6" x 6.7")	1
36	XDC440009	INNER DRAIN PAN (8.25" X 2.75" X 3.38")	1
37	XX-HC0009	COMPRESSOR (DLE6.5CN/110VAC/R290)	1
38	XX-HC0009K	START KIT	1
39	X17111250198	FILTER DRIER	1
40	(*)	FILTER BRACKET	1
40	X280012	CAP TUBE .047" I.D. X 110.25" L	1
41	XRI0122	CONDENSER FAN MOTOR GUARD/COVER	1
42	XRI0012	CONDENSER FAN MOTOR	1
43	(*)	LEFT TRACK OF INSTALLATION PANEL	1
44	(*)	LOWER INTERIOR PANEL	1
45	(*)	SUPPORT HOLDER OF CABINET	3
46	(*)	COVER BOARD OF MACHINE ROOM	1
47	N/A	CABINET	1
48	(*)	THERMOSTAT MOUNTING PLATE	1
49	XDC010022	GLASS DOOR TRACK (*)	1
50	(*)	LEFT HANGER OF GRILL	2
51	XDC020001	SEALING RUBBER STRIP	2
52	XDC230086	DEFROST HEATER (23.6" X 3", 200W/115VAC)	1
53	XDC002171	REAR COVER	1
54	XDC013539	SHELF UPPER (29" X 20.5")	2
55	XRI0036	EVAPORATOR TEMPERATURE SENSOR (60")	1
56	X12533040015	SWIVEL CASTER 3" W/O BRAKE	2

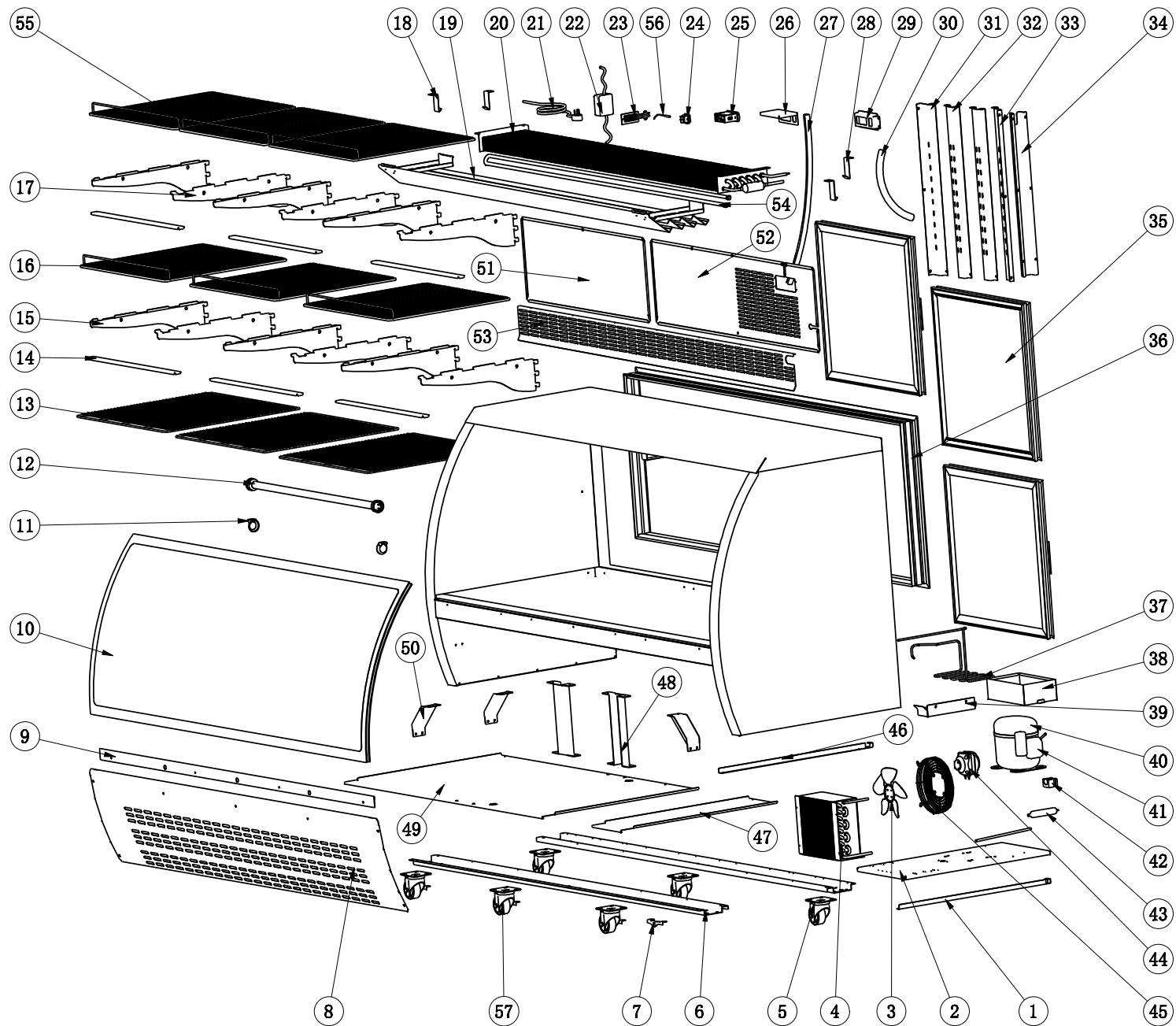
(\*) Non Stocking Part



# MODEL EDC47X

NO.	PART#	DESCRIPTION	QTY
1	(*)	RIGHT TRACK OF INSTALLATION PANEL	1
2	(*)	INSTALLATION PANEL OF COMPRESSOR	1
3	X16381738122	CONDENSER FAN MOTOR BLADE	1
4	XSBC07036	CONDENSER COIL	1
5	X12533040010	SWIVEL CASTER 3" W/ BRAKE	2
5	X12534030002	LEVELING FEET (OPTIONAL)	4
6	(*)	SUPPORT PANEL OF LEVELING FEET	2
7	(*)	LIMITED BLOCK OF INSTALLATION PANEL	1
8	XDC001144	GRILL LOWER FRONT	1
9	XDC001145	LOWER FRONT BRACKET	1
10	XDC662342	CURVED GLASS (42.9 X 28.3 X .67) (*)	1
11	X17740410162	SOCKETS (SUPPLIED WITH THE LED LIGHTS)	2
12	X17740410162	LED LIGHT W/SOCKETS	1
13	XDC013320	SHELF BOTTOM (20.7" X 24.8")	2
14	XDC001146	SHELF SUPPORT BRACKET	4
15	XDC001147	SHELF SUPPORT - RIGHT	4
16	XDC013319	SHELF MIDDLE (19.7" X 22.4")	2
17	XDC001148	LEFT SHELF SUPPORT	4
18	XDC001149	RIGHT HANGER OF GRILL (*)	2
19	XDC001150	EVAPORATOR GRILL COVER	1
20	XDC060851	EVAPORATOR COIL	1
21	XDC030013	THERMOSTAT CONTROL (XR06CX-4N0C1/ 115VAC)	1
22	XRI0056	LAMP SWITCH(RED)	1
23	X16357060003	TEMPERATURE SENSOR CLIP	1
24	X15818180013	DRAIN HOSE	1
25	X16351170004	WATERPROOF COVER OF THERMOSTAT	1
26	XX-2194684	POWER CORD(NEMA 5-15P, 16 AWG, 8.2')	1
27	(*)	DIGITAL THERMOSTAT INSTALLATION BOX	1
28	XDC001151	SHELF BRACKET - RIGHT	1
29	XDC001152	SHELF BRACKET - MIDDLE	1
30	XDC001153	AIR PIPE COVER (*)	1
31	XDC001154	SHELF BRACKET - LEFT	1
32	XDC010028	GLASS DOOR (*)	2
33	X22753530009	LED POWER SUPPLY	1
34	XDC060016	SERPENTINE TUBING FOR DRAIN PAN (3" X 80.75" X 0.02)	1
35	X16316130008	OUTER DRAIN PAN (9.6" x 6.7")	1
36	XDC440009	INNER DRAIN PAN (8.25" X 2.75" X 3.38")	1
37	XX-HC0003	COMPRESSOR (EM2X3125U/110VAC/R290)	1
38	XX-STARTKITC2	START KIT	1
39	X17111250198	FILTER DRIER	1
40	(*)	FILTER BRACKET	1
40	X280012	CAP TUBE .047" I.D. X 110.25" L	1
41	XRI0122	CONDENSER FAN MOTOR GUARD/COVER	1
42	XRI0012	CONDENSER FAN MOTOR	1
43	(*)	LEFT TRACK OF INSTALLATION PANEL	1
44	(*)	COVER PANEL(SMALL)	1
45	(*)	SUPPORT HOLDER OF CABINET	3
46	(*)	LOWER INTERIOR PANEL	1
47	N/A	CABINET	1
48	XDC001160	REAR COVER	1
49	XDC010120	GLASS DOOR TRACK (*)	1
50	(*)	LEFT HANGER OF GRILL	2
51	XDC020001	SEALING RUBBER STRIP	2
52	XDC001162	BAFFLE FOR EVAPORATOR (*)	1
53	XDC230029	DEFROST HEATER (34.6" X 3", 300W/115VAC)	1
54	(*)	THERMOSTAT MOUNTING PLATE	1
55	XDC013540	SHELF UPPER (19.7" X 20.5")	2
56	XRI0036	EVAPORATOR TEMPERATURE SENSOR (60")	1
57	X12533040015	SWIVEL CASTER 3" W/BRAKE	2

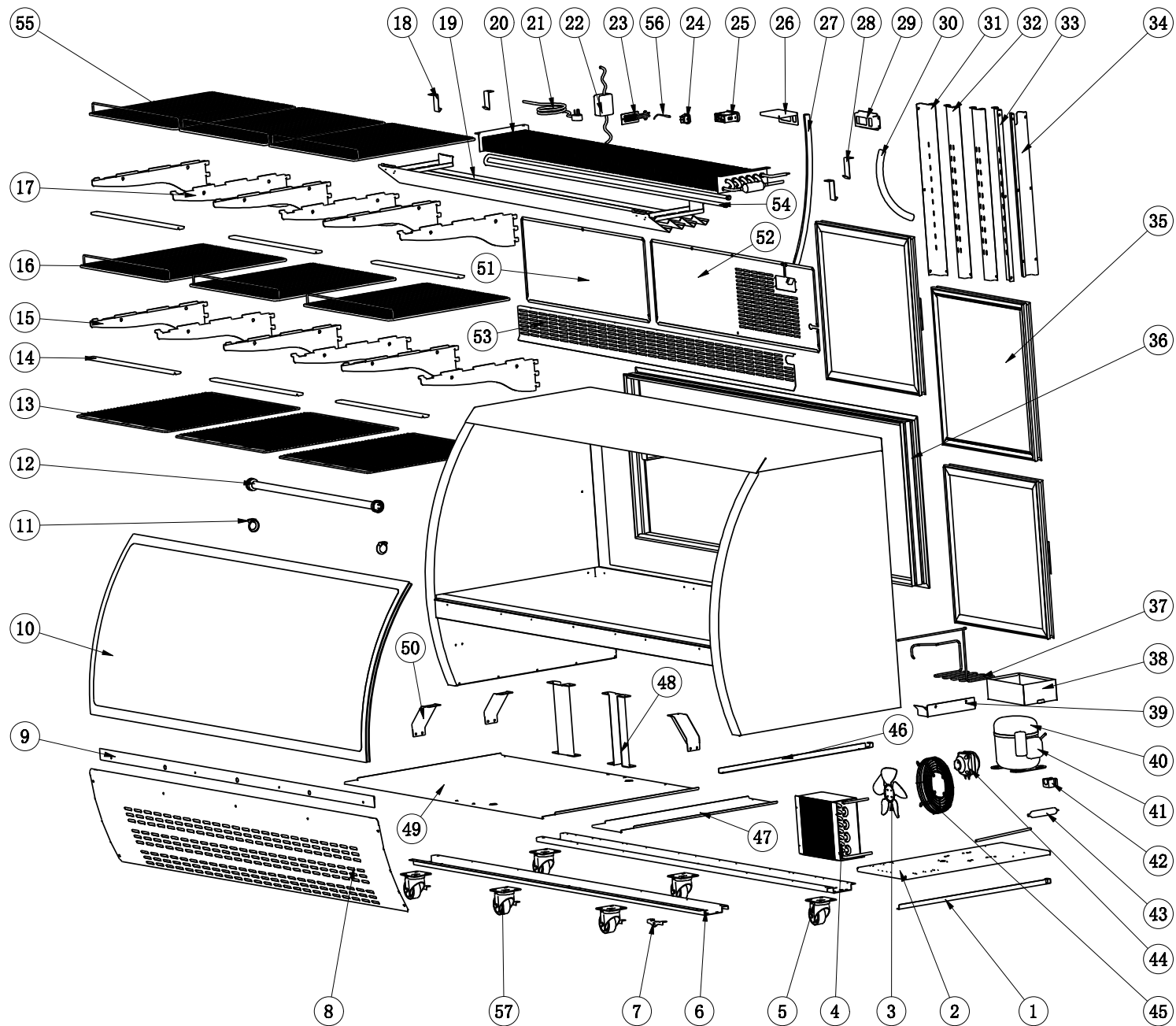
(\*) Non Stocking Part



# MODEL EDC64X

NO.	PART#	DESCRIPTION	QTY
1	(*)	RIGHT TRACK OF INSTALLATION BOARD	1
2	(*)	INSTALLATION BOARD OF COMPRESSOR	1
3	X16381738122	BLADE OF CONDENSER FAN MOTOR	1
4	XDC100262	CONDENSER	1
5	X12533040010	SWIVEL CASTER 3" W/ BRAKE	3
6	(*)	BASE CHANEL	2
7	(*)	LIMITED BLOCK OF INSTALLATION BOARD	1
8	XDC001843	GRILL LOWER FRONT	1
9	(*)	FIXED BOARD OF CURVE GLASS	1
10	XDC664961	CURVE GLASS (*)	1
11	X17740410163	SOCKETS (SUPPLIED WITH LED LIGHTS)	4
12	X17740410163	LED LIGHT W/SOCKETS	2
13	XDC013427	SHELF LOWER (19.4" X 24.8")	3
14	XDC001146	SHELF SUPPORT CONNECTOR (*)	6
15	XDC001147	RIGHT SHELF SUPPORT (*)	6
16	XDC013426	SHELF MIDDLE (18.5" X 22.4")	3
17	XDC001148	LEFT SHELF SUPPORT (*)	6
18	XDC001149	RIGHT HANGER OF GRILL (*)	2
19	XDC001845	GRILL FOR EVAPORATOR (*)	1
20	XDC061248	EVAPORATOR COIL	1
21	XX-2194684	POWER CORD(NEMA 5-15P, 16 AWG, 8.2')	1
22	X22753530009	LED POWER SUPPLY	1
23	X16357060003	TEMPERATURE SENSOR CLIP (*)	1
24	XRI0056	LAMP SWITCH(RED)	1
25	XDC030013	THERMOSTAT CONTROL (XR06CX-4N0C1/ 115VAC)	1
26	X16351170004	WATERPROOF COVER OF THERMOSTAT	1
27	XDC020001	SEALING RUBBER STRIP	2
28	(*)	LEFT HANGE OF GRILL	2
29	(*)	DIGITAL THERMOSTAT INSTALLATION BOX	1
30	X15818180013	DRAIN HOSE	1
31	XDC001154	SHELF BRACKET - LEFT	1
32	XDC001152	SHELF BRACKET - MIDDLE	2
33	XDC001151	SHELF BRACKET - RIGHT	1
34	XDC001153	AIR PIPE COVER (*)	1
35	XDC080077	GLASS DOOR (*)	3
36	XDC010023	GLASS DOOR TRACK (*)	1
37	XDC060016	SERPENTINE TUBING FOR DRAIN PAN (3" X 80.75" X 0.02)	1
38	X16316130008	OUTER DRAIN PAN (9.6" x 6.7")	1
39	XDC440009	INNER DRAIN PAN (8.25" X 2.75" X 3.38")	1
40	XX-HC0007	COMPRESSOR (NLE10CN/115VAC/R290)	1
41	XX-STARTKITC7	START KIT	1
42	(*)	FILTER BRACKET	1
43	X17111250198	FILTER DRIER	1
43	X160012	CAP TUBE .047" I.D. X 63" L	1
44	XRI0012	CONDENSER FAN MOTOR	1
45	XRI0122	CONDENSER FAN MOTOR COVER	1
46	(*)	LEFT TRACK OF INSTALLATION BOARD	1
47	(*)	COVER BOARD OF MACHINE ROOM(SMALL)	1
48	(*)	SUPPORT BOARD OF MACHINE ROOM	2
49	(*)	BOTTOM PANEL	1
50	(*)	CABINET SUPPORT	3
51	XDC001847	GRILL BACK RIGHT (*)	1
52	(*)	THERMOSTAT MOUNTING PLATE	1
53	XDC001848	BAFFLE FOR EVAPORATOR (*)	1
54	XDC230087	DEFROST HEATER (50.4" X 3", 400W/115VAC)	1
55	XDC013541	SHELF UPPER (18.5" X 22.4")	3
56	XRI0036	EVAPORATOR TEMPERATURE SENSOR (60")	1
57	X12533040015	SWIVEL CASTER 3" W/BRAKE	3

(\*) Non Stocking Part





# MODEL EDC79X

NO.	PART#	DESCRIPTION	QTY
1	(*)	RIGHT TRACK OF INSTALLATION BOARD	1
2	(*)	INSTALLATION BOARD OF COMPRESSOR	1
3	X16381738122	BLADE OF CONDENSER FAN MOTOR	1
4	XDC100262	CONDENSER	1
5	X12533040010	SWIVEL CASTER 3" W/ BRAKE	3
6	(*)	SUPPORT BOARD OF LEVELING FEET	2
7	(*)	LIMITED BLOCK OF INSTALLATION BOARD	1
8	XDC001165	GRILL LOWER FRONT	1
9	(*)	PANEL OF CURVE GLASS	1
10	XDC662343	CURVE GLASS (*)	1
11	X17740410162	SOCKETS (SUPPLIED WITH THE LED LIGHTS)	4
12	X17740410162	LED LIGHT W/SOCKETS	2
13	XDC013322	SHELF LOWER (25.4" X 24.8")	3
14	XDC001167	SHELF SUPPORT BOARD CONNECTOR	6
15	XDC001147	RIGHT SHELF SUPPORT	6
16	XDC013321	SHELF MIDDLE (24.4" X 22.5")	6
17	XDC001148	LEFT SHELF SUPPORT BOARD	6
18	XDC001149	RIGHT HANGER OF GRILL	2
19	XDC001168	GRILL FOR EVAPORATOR	1
20	XDC061701	EVAPORATOR COIL (*)	1
21	XX-2194684	POWER CORD(NEMA 5-15P, 16 AWG, 8.2')	1
22	X22753530009	LED POWER SUPPLY	1
23	X16357060003	TEMPERATURE SENSOR CLIP (*)	1
24	XRI0056	LAMP SWITCH(RED)	1
25	XDC030013	THERMOSTAT CONTROL (XR06CX-4N0C1/ 115VAC)	1
26	X16351170004	WATERPROOF COVER OF THERMOSTAT	1
27	XDC020001	SEALING RUBBER STRIP	2
28	(*)	LEFT HANGE OF GRILL	2
29	(*)	DIGITAL THERMOSTAT INSTALLATION BOX	1
30	X15818180013	DRAIN HOSE	1
31	XDC001154	SHELF BRACKET - LEFT	1
32	XDC001152	SHELF BRACKET - MIDDLE	2
33	XDC001151	SHELF BRACKET - RIGHT	1
34	XDC001153	AIR PIPE COVER (*)	1
35	XDC010029	GLASS DOOR (*)	3
36	XDC010121	GLASS DOOR TRACK (*)	1
37	XDC060016	SERPENTINE TUBING FOR DRAIN PAN (3" X 80.75" X 0.02)	1
38	X16316130008	OUTER DRAIN PAN (9.6" x 6.7")	1
39	XDC440009	INNER DRAIN PAN (8.25" X 2.75" X 3.38")	1
40	XX-HC0007	COMPRESSOR (NLE10CN/115VAC/R290)	1
41	XX-STARTKITHC4	START KIT	1
42	(*)	FILTER BRACKET	1
43	X17111250198	FILTER DRIER	1
43	X160012	CAP TUBE .047" I.D. X 63" L	1
44	XRI0012	CONDENSER FAN MOTOR	1
45	XRI0122	CONDENSER FAN MOTOR COVER	1
46	(*)	LEFT TRACK OF INSTALLATION BOARD	1
47	(*)	COVER BOARD OF MACHINE ROOM(SMALL)	1
48	(*)	SUPPORT BOARD OF MACHINE ROOM	2
49	(*)	COVER BOARD OF MACHINE ROOM(BIG)	1
50	(*)	CABINET SUPPORT	3
51	XDC001171	GRILL BACK RIGHT (*)	1
52	(*)	THERMOSTAT MOUNTING PLATE	1
53	XDC001172	EVAPORATOR BAFFLE (*)	1
54	XDC230030	DEFROST HEATER (67.1" X 3", 500W/115VAC)	1
55	XDC013542	SHELF UPPER (24.4" X 20.5")	3
56	XRI0036	EVAPORATOR TEMPERATURE SENSOR (60")	1
57	X12533040015	SWIVEL CASTER 3" W/BRAKE	3

(\*) Non Stocking Part



## PART LIST FOR DELI CASES:

EDC36X, EDC47X, EDC64X, EDC79X



For Parts Call 704-900-2068, Option #2