

CHEF BASE REFRIGERATORS



ECB36X



ECB48X



ECB52X



ECB52-60TX

| Model | Size |
|------------|----------|
| ECB36X | 36" Unit |
| ECB48X | 48" Unit |
| ECB52X | 51" Unit |
| ECB52-60TX | 60" Unit |

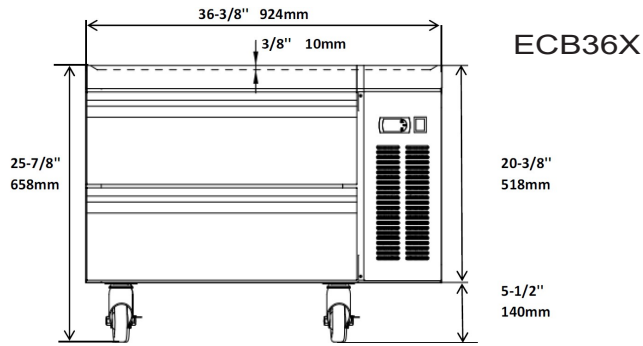
STANDARD FEATURES

- Stainless steel interior and exterior retains attractive finish longer. Matching aluminum finished back.
- Stainless steel top equipped with a marine edge enables the unit's top to contain drips and spills for easy cleanup.
- Refrigeration system keeps food at safe temperatures between 33°F and 41°F.
- Electronic control system makes it easy to adjust temperature set point and defrost frequency.
- Heavy-duty swivel casters are pre-installed.
- Easy to access condenser coil for cleaning and service.
- Uses R290 refrigerant, which is eco-friendly and more efficient.
- Drawers with Heavy-duty sliders
- Warranty: One (1) year parts & labor, and additional two years on compressor.

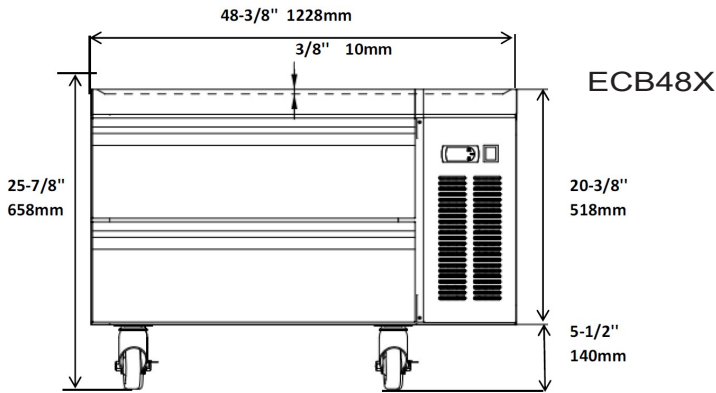
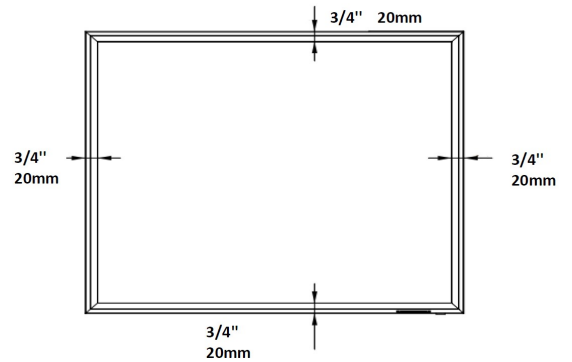
*Not suitable for installation in a non-commercial or residential applications.

| Items | Description | Items | Description |
|--------------------|-------------------------|----------------------|--|
| Front, top & sides | Stainless steel | Temperature control | Solid state thermostat/Digital display |
| Drawers | Stainless steel | Approvals | ETL LISTED |
| External back | Aluminum | Refrigerating system | Capillary tube |
| Cabinet interior | Stainless Steel | Refrigerant | R290 |
| Interior floor | Stainless steel | Temperature range | 33°F to 41°F |
| Insulation | Polyurethane (CFC free) | Evaporator | Powder coated aluminum/copper |
| | | Condensing unit | Bottom mounted |

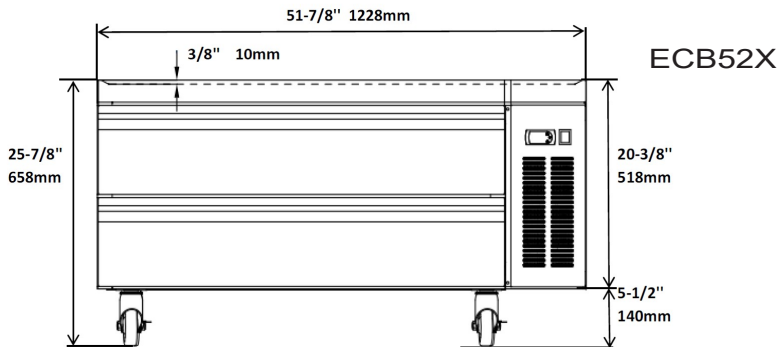
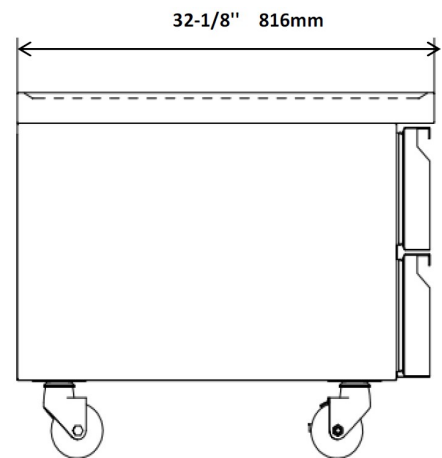
CONFORMS TO NSF/ANSI STD 7



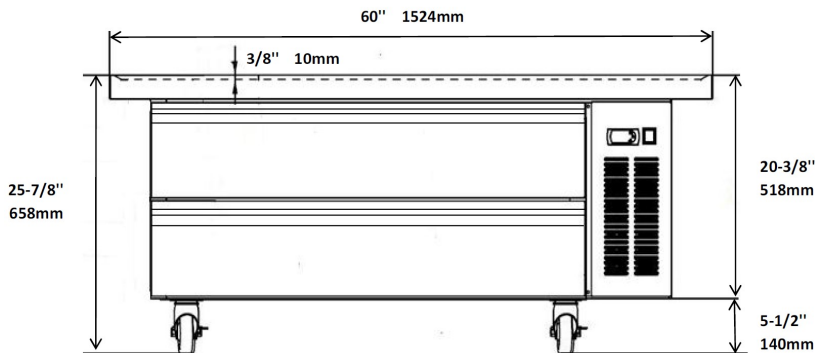
Top View - Showing Marine Edge



Side View - All



ECB52-60TX



| Model | Drawers | GN Pans | Cabinet Dim (inches) | | | HP | Voltage | Amps | NEMA Plug | Cord Length | Ship Weight |
|------------|---------|-------------|----------------------|--------|--------|-----|----------|------|-----------|-------------|-------------|
| | | | L | D | H | | | | | | |
| ECB36X | 2 | 2*1/1+6*1/6 | 36.375 | 32.125 | 25.875 | 1/6 | 115/60/1 | 4.0 | 5-15P | 10 | 279 |
| ECB48X | 2 | 4*1/1+6-1/6 | 48.375 | 32.125 | 25.875 | 1/6 | 115/60/1 | 4.32 | 5-15P | 10 | 299 |
| ECB52X | 2 | 6*1/1 | 51.875 | 32.125 | 25.875 | 1/6 | 115/60/1 | 4.5 | 5-15P | 10 | 341 |
| ECB52-60TX | 2 | 6*1/1 | 60.0 | 32.125 | 25.875 | 1/6 | 115/60/1 | 4.5 | 5-15P | 10 | 355 |

*Maximum Depth Pan is 4 inch, deeper pans will adversely affect air flow and cause cooling issues.