

Solid Door Refrigerators & Freezers

REFRIGERATION / FREEZERS



CR1-19-HC / CF1-19-HC



CR2-35-HC / CF2-35-HC

Model
CR1-19-HC
CR2-35-HC
CF1-19-HC
CF2-35-HC

STANDARD FEATURES

- CFC Free Refrigerant and foam
- Solid state thermostat with digital display
- Stainless steel front and sides
- Field reversible 1-door units
- Self-closing doors remain open past 90°
- Non twist solid mullions on 2 & 3 door units
- Environmentally friendly HC R290
- EZ slide-out-condenser
- Stainless steel door handle
- Whisper quiet
- Solid construction
- High efficiency polyurethane insulation
- Zero clearance sides and 2" back

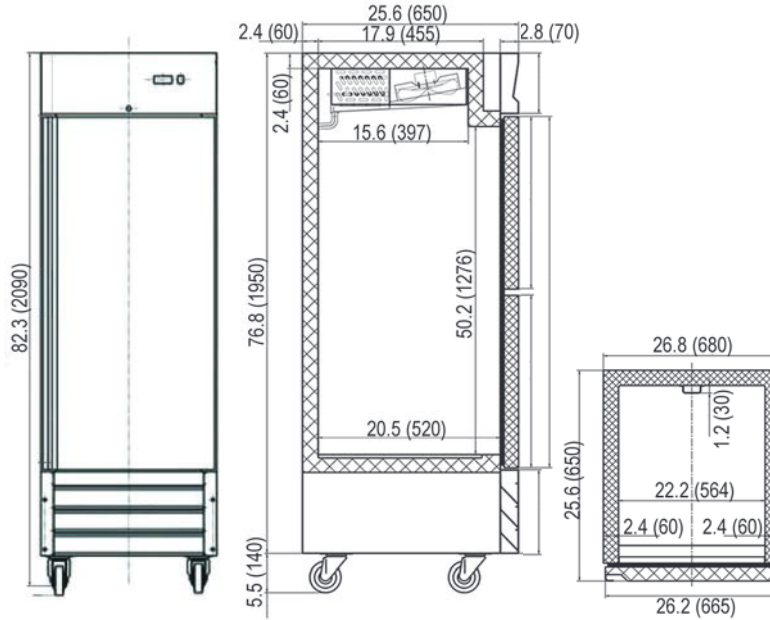
*Not suitable for installation in a non-commercial or residential applications.

Items	Description	Items	Description
Front, Top & Sides	430 Stainless steel	Temperature control	Solid State T-stat with Digital Display
Door	430 Stainless steel	Comply to standard	ETL Listed
External back	430 Stainless steel	Refrigerating system	Capillary tube
Cabinet internal	Powder Coated Aluminum	Refrigerant	R290
Internal floor	304 Stainless steel	Temperature Range	(CR) 34°F — 38°F (CF) -11°F -1°F
Insulation	Polyurethane (CFC free)	Evaporator/Condenser	Aluminum + Copper
Shelves	Heavy duty, PVC coating – 3 or 4 layers	Condensing unit	Bottom Mounted

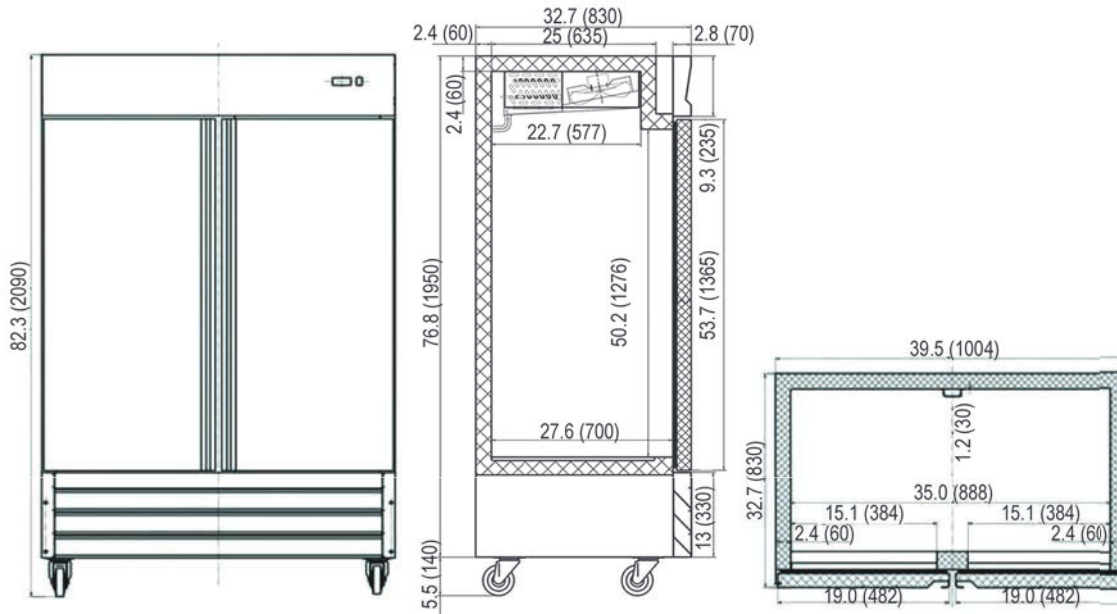


DETAILS AND DIMENSIONS

CR1-19-HC / CF1-19-HC



CR2-35-HC/ CF2-35-HC



Model	Doors	Shelves	Cabinet Dim (in) External			HP	Voltage Hz/Ph	Amp	NEMA Plug	Cord Length (ft)	Crated Weight (lbs)
			W	D	H						
CR1-19-HC	1	3	26.8	25.6	82.3	1/5	115/60/1	3	5-15P	10	220
CF1-19-HC	1	3	26.8	25.6	82.3	1/2	115/60/1	5	5-15P	10	225
CR2-35-HC	2	6	39.5	32.7	82.3	1/4	115/60/1	4.5	5-15P	10	313
CF2-35-HC	2	6	39.5	32.7	82.3	1	115/60/1	9	5-15P	10	320