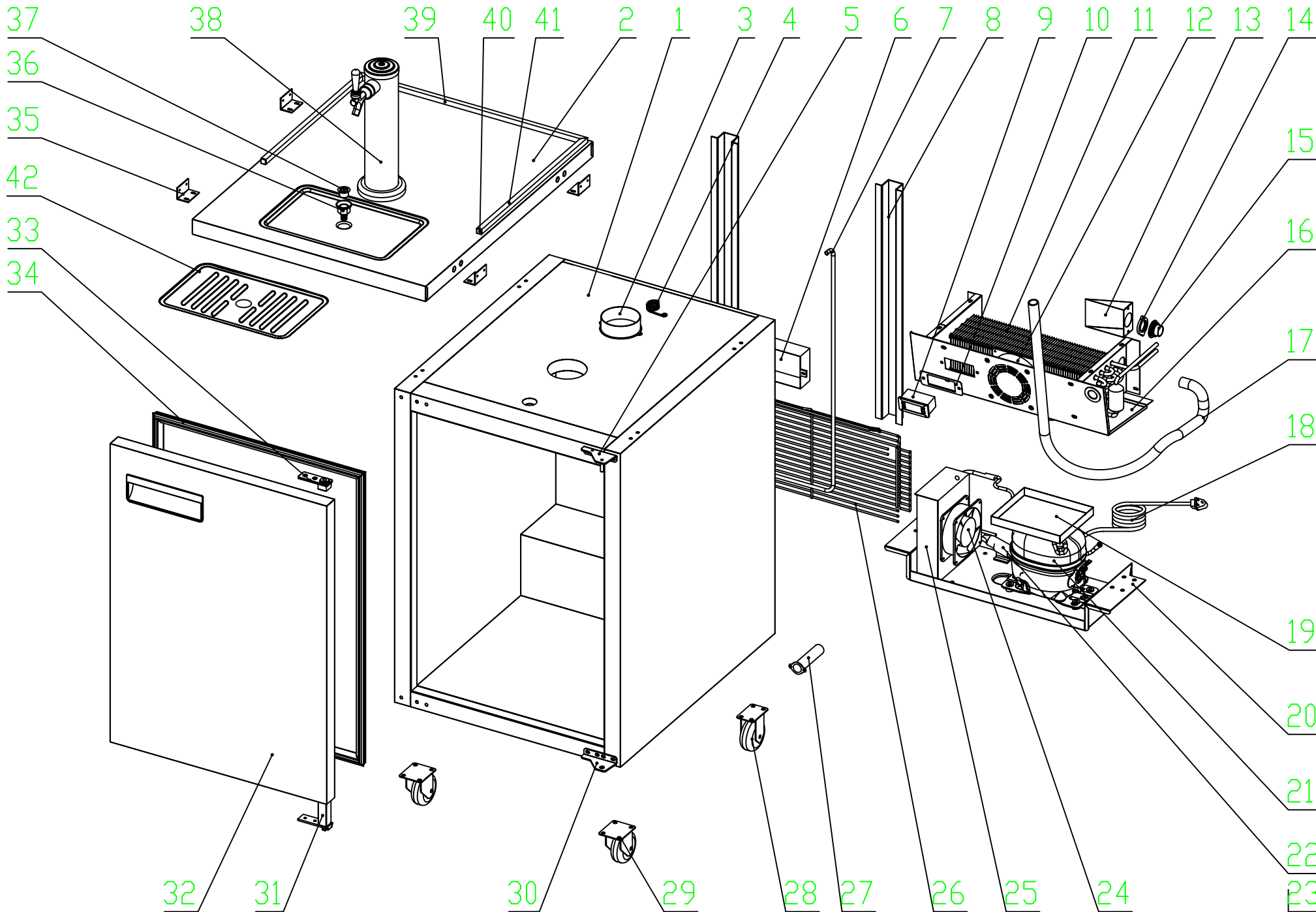




Beer Dispensers **Parts List**



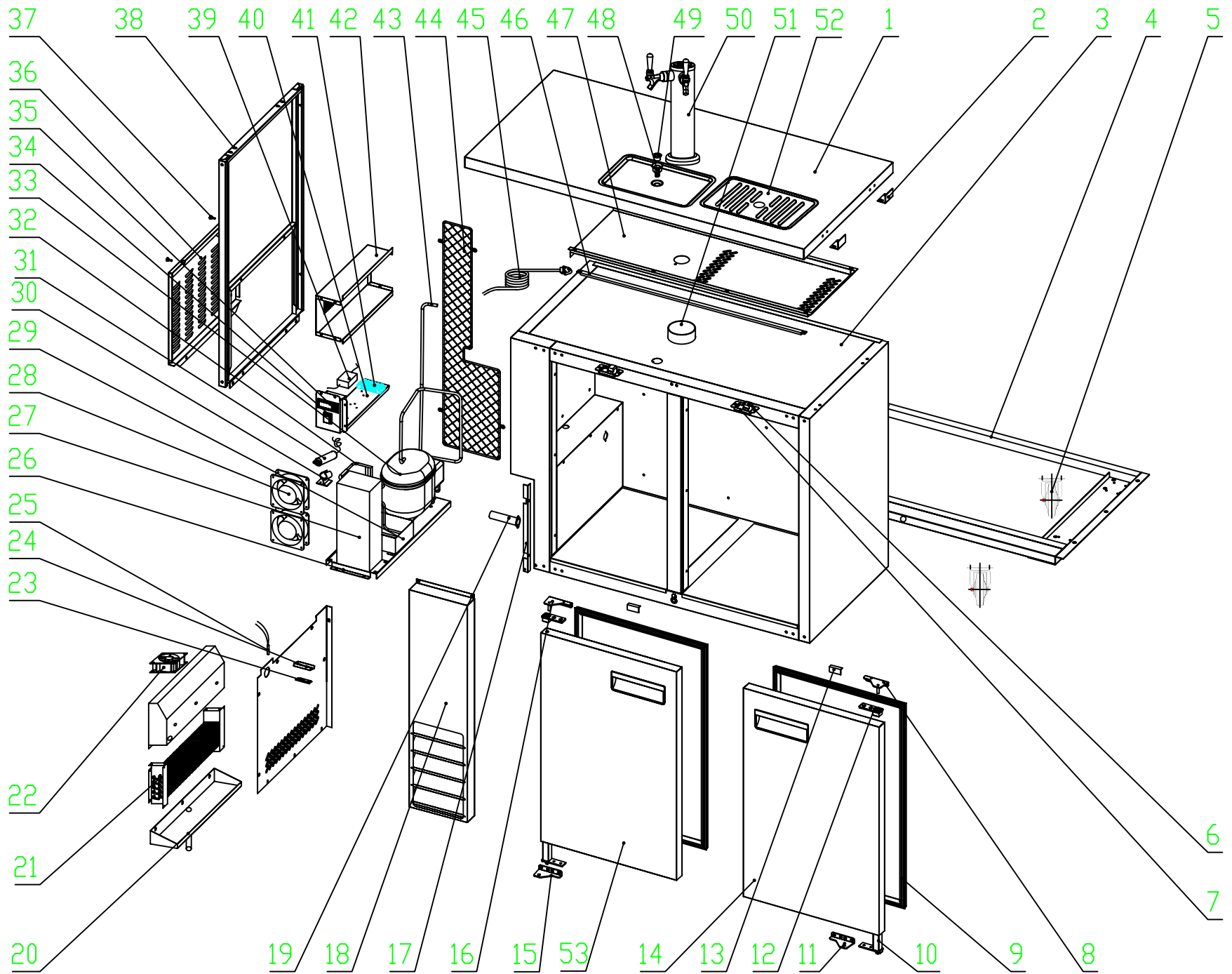


EXPLODE OF BCBD1

MODEL BCBD1

NO.	PART #	DESCRIPTION	QTY
1	N/A	BODY	1
2	BD0061	TOP	1
3	BD0071	BIG TUBE	1
4	BD0073	COLD AIR PIPE SUPPORT	1
5	BD0033	DOOR HINGE/RIGHT UP	1
6	N/A	ELECTRIC BOX COVER	1
7	BD0057	SUCTION PIPE	1
8	BD0070	BACK COVER	2
9	BD0060	THERMOSTAT	1
10	N/A	THERMOSTAT SUPPORT	1
11	BD0037	EVAPORATOR	1
12	H01110	CIRCULATE FAN	1
13	N/A	CONDUCT BOARD	1
14	BD0052	PLASTIC NUT	2
15	BD0051	PLASTIC BOLT PIPE	2
16	N/A	EVAPORATOR COVER	1
17	BD0069	AIR FLOW CONDUCT PIPE	1
18	C2194684	PLUG	1
19	C30008	CONDENSER DRAIN BOX	1
20	N/A	UNIT BOARD	1
21	H00025F	COMPRESSOR	1

NO.	PART #	DESCRIPTION	QTY
22	N/A	FILTER DRIER FIXER	1
23	H00341.1	FILTER DRIER	1
24	H01110	CONDENSER FAN	2
25	BD0031	CONDENSER COIL	1
26	BD0066	UNIT ROOM GRILL	1
27	BD0072	CO2 CONDUCT TUBE	1
28	BD0317	WHEEL WITHOUT BRAKE	2
29	BD0316	WHEEL WITH BRAKE	2
30	C02327RB	DOOR HINGE//RIGHT DOWN	1
31	H00328	HINGE CARTRIDGE, SELF CLOSING	1
32	BD0034	DOOR	1
33	H00326	DOWN HINGE AXIS JACKET	1
34	BD0041	DOOR GASKET	1
35	N/A	TOP FIXED CLIP	4
36	G30002	DRAIN PIPE A	1
37	G30001	DRAIN PIPE B	1
38	BD0067	DIPENSING TOWER	1
39	BD0048	REAR GUARD	1
40	BD0050	GUARD CLIP	2
41	BD0049	GUARD LEFT/RIGHT	2
42	BD0058	DRAIN GRILL	1

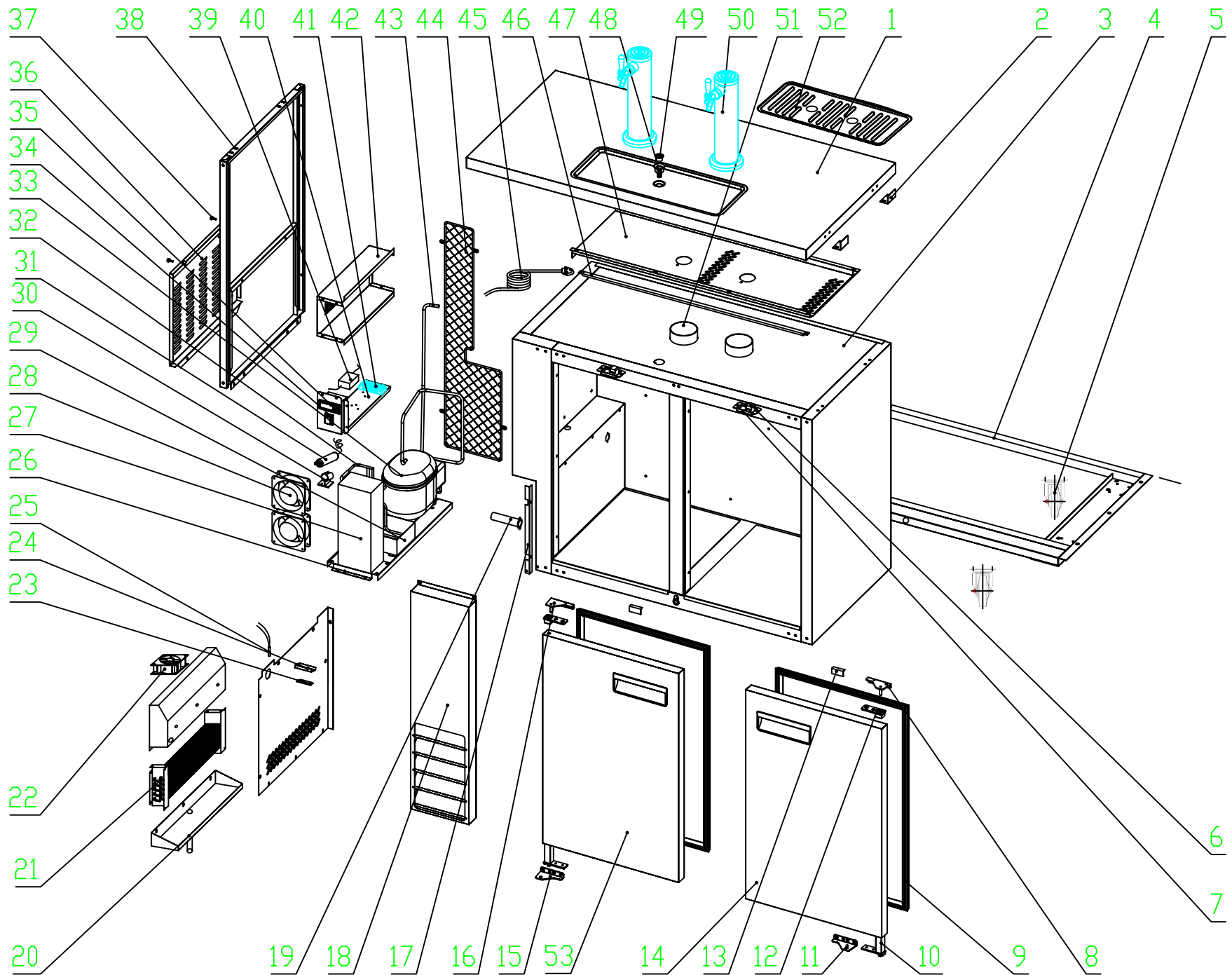


EXPLODE OF BCBD2-1

MODEL BCBD2-1

NO.	PART #	DESCRIPTION	QTY
1	BD0062	TOP	1
2	N/A	TOP FIXED CLIP	4
3	N/A	BODY	1
4	N/A	SUPPORT OF BODY	1
5	H00316	FRONT CASTER W/BRAKE	2
5	H00317	REAR CASTER W/O BRAKE	2
6	C10001	DOOR SWITCH	2
7	N/A	DOOR SWITCH BOX	2
8	BD0033	DOOR HINGE /RIGHT UP	1
9	BD0040	DOOR GASKET	2
10	H00328	HINGE CARTRIDGE, SELF CLOSING	2
11	C02327RB	DOOR HINGE/RIGHT DOWN	1
12	H00326	DOWN HINGE AXIS JACKET	1
13	BD0046	LOCK HOOK	2
14	BD0054	RIGHT DOOR	1
15	C01327LB	DOOR HINGE/LEFT DOWN	1
16	BD0035	DOOR HINGE/LEFT UP	1
17	N/A	FRONT PANEL FIXED BOARD	1
18	BD0039	FRONT PANEL	1
19	BD0072	CO2 CONDUCT TUBE	1
20	C30006	EVAPORATOR DRAIN PAN	1
21	BD0036	EVAPORATOR	1
22	H01110	CIRCULATE FAN	1
23	H00335	SENSOR CLIP	1
24	BD0053	PROBE BRACKET	1
25	H00205	SENSOR	2
26	N/A	UNIT BOARD	1

NO.	PART #	DESCRIPTION	QTY
27	BD0030	CONDENSER COIL	1
28	H01110	CONDENSER FAN	2
29	C30007	CONDENSER DRAIN BOX	1
30	N/A	FILTER DRIER FIXER	1
31	H00341.1	FILTER DRIER	1
32	BD0032	DISCHARGE PIPE	1
33	H00020F	COMPRESSOR	1
34	C2194691	MAIN SWITCH	2
35	H00219	THERMOSTAT	1
36	BD0055	SIDE LOUVERED COVER	1
37	BD0047	NUT	2
38	BD0038	FRAMEWORK WITH BOARD	1
39	BD0044	LAMP TRANSFORMER	1
40	N/A	ELECTRICAL EQUIPMENT FIXER	1
41	H00215	JUNCTION BOX	1
42	N/A	JUNCTION BOX COVER	1
43	BD0056	SUCTION PIPE	1
44	BD0065	UNIT ROOM GRILL	1
45	BC30900	PLUG	1
46	BD0042	LAMP	1
47	N/A	AIR FLOW CONDUCT BOARD	1
48	G30002	DRAIN PIPE A	1
49	G30001	DRAIN PIPE B	1
50	BD0067	DIPENSING TOWER	1
51	BD0071	BIG TUBE	1
52	BD0058	DRAIN GRILL	1
53	BD0045	LEFT DOOR	1

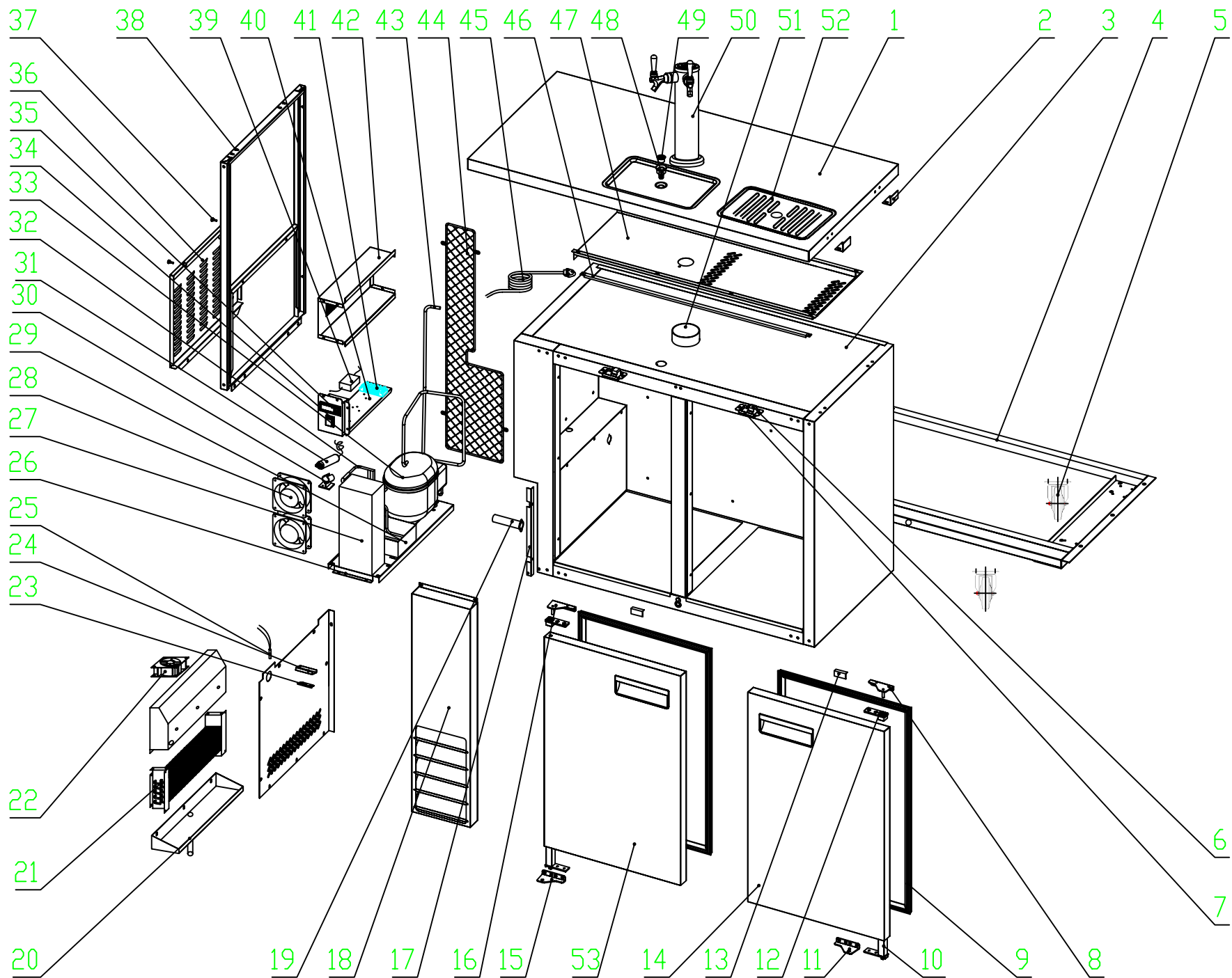


EXPLODE OF BCBD2-2

MODEL BCBD2-2

NO.	PART #	DESCRIPTION	QTY
1	BD0062	TOP	1
2	N/A	TOP FIXED CLIP	4
3	N/A	BODY	1
4	N/A	SUPPORT OF BODY	1
5	H00316	FRONT CASTER W/BRAKE	2
5	H00317	REAR CASTER W/O BRAKE	2
6	C10001	DOOR SWITCH	2
7	N/A	DOOR SWITCH BOX	2
8	C02327RB	DOOR HINGE RIGHT	1
9	BD0040	DOOR GASKET	2
10	H00328	HINGE CARTRIDGE, SELF CLOSING	2
11	BD0033	DOOR HINGE/RIGHT UP	1
12	H00326	DOWN HINGE AXIS JACKET	1
13	BD0046	LOCK HOOK	2
14	BD0054	RIGHT DOOR	1
15	C01327LB	DOOR HINGE/LEFT DOWN	1
16	BD0035	DOOR HINGE/LEFT UP	1
17	N/A	FRONT PANEL FIXED BOARD	1
18	BD0039	FRONT PANEL	1
19	BD0072	CO2 CONDUCT TUBE	1
20	C30006	EVAPORATOR DRAIN PAN	1
21	BD0036	EVAPORATOR	1
22	H01110	CIRCULATE FAN	1
23	H00335	SENSOR CLIP	1
24	BD0053	PROBE PADDING	1
25	H00205	SENSOR	2
26	N/A	UNIT BOARD	1

NO.	PART #	DESCRIPTION	QTY
27	BD0030	CONDENSER COIL	1
28	H01110	CONDENSER FAN	2
29	C30007	CONDENSER DRAIN BOX	1
30	N/A	FILTER DRIER FIXER	1
31	H00341.1	FILTER DRIER	1
32	BD0032	DISCHARGE PIPE	1
33	H00020F	COMPRESSOR	1
34	C2194691	MAIN SWITCH	2
35	H00219	THERMOSTAT	1
36	BD0055	SIDE LOUVERED COVER	1
37	BD0047	NUT	2
38	BD0038	FRAMEWORK WITH BOARD	1
39	BD0043	LAMP TRANSFORMER	1
40	N/A	ELECTRICAL EQUIPMENT FIXER	1
41	H00215	JUNCTION BOX	1
42	N/A	JUNCTION BOX COVER	1
43	BD0056	SUCTION PIPE	1
44	BD0065	UNIT ROOM GRILL	1
45	BC30900	PLUG	1
46	BD0042	LAMP	1
47	N/A	AIR FLOW CONDUCT BOARD	1
48	G30002	DRAIN PIPE A	1
49	G30001	DRAIN PIPE B	1
50	BD0068	DIPENSING TOWER	2
51	BD0071	BIG TUBE	2
52	BD0059	DRAIN GRILL	1
53	BD0045	LEFT DOOR	1

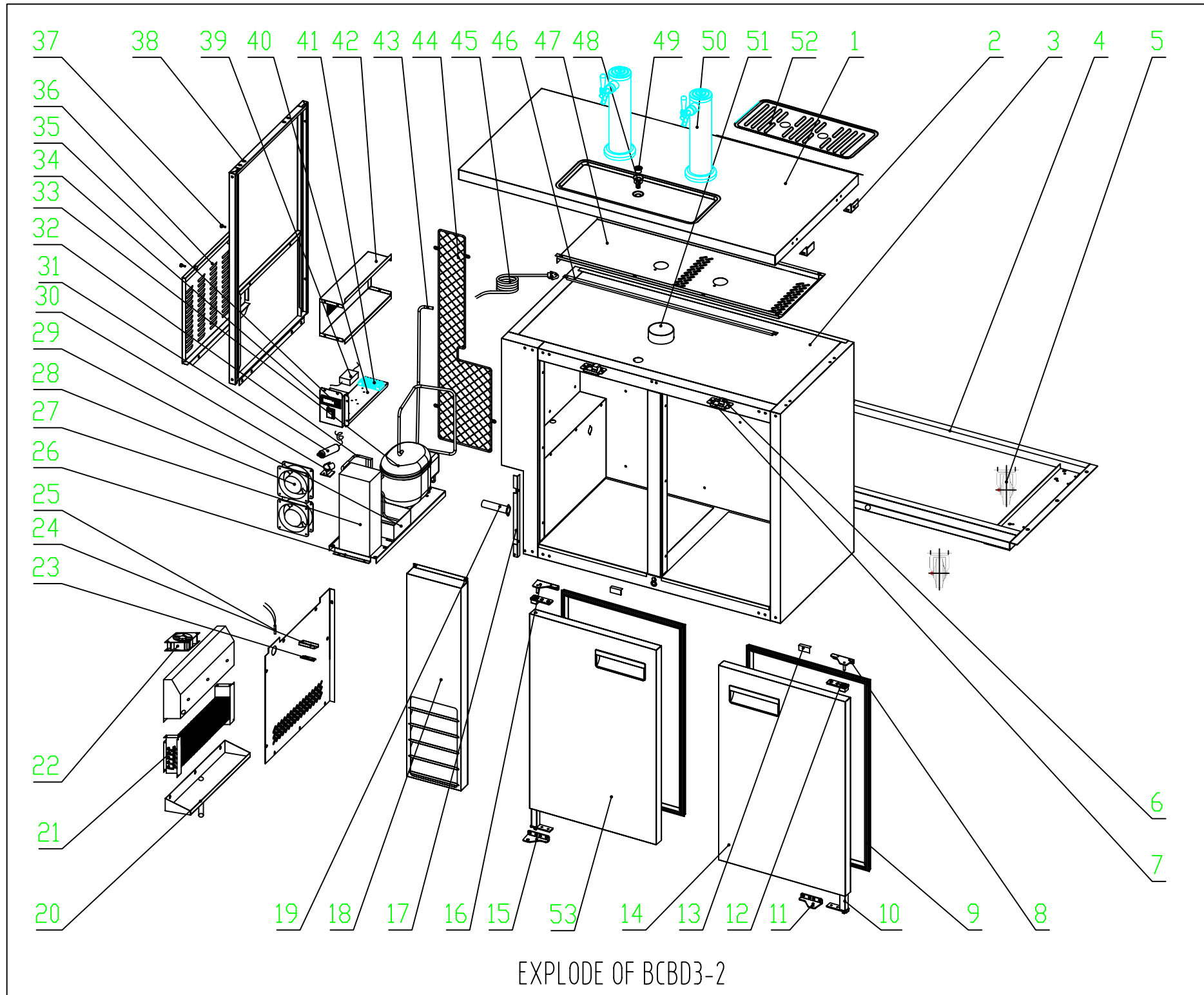


EXPLODE OF BCBD3-1

MODEL BCBD3-1

NO.	PART #	DESCRIPTION	QTY
1	BD0063	TOP	1
2	N/A	TOP FIXED CLIP	4
3	N/A	BODY	1
4	N/A	SUPPORT OF BODY	1
5	H00316	FRONT CASTER W/BRAKE	2
5	H00317	REAR CASTER W/O BRAKE	2
6	C10001	DOOR SWITCH	2
7	N/A	DOOR SWITCH BOX	2
8	C02327RB	DOOR HINGE /RIGHT DOWN	1
9	BD0040	DOOR GASKET	2
10	H00328	HINGE CARTRIDGE, SELF CLOSING	2
11	BD0033	DOOR HINGE/RIGHT UP	1
12	H00326	DOWN HINGE AXIS JACKET	1
13	BD0046	LOCK HOOK	2
14	BD0054	RIGHT DOOR	1
15	C01327LB	DOOR HINGE/LEFT DOWN	1
16	BD0035	DOOR HINGE/LEFT UP	1
17	N/A	FRONT PANEL FIXED BOARD	1
18	BD0039	FRONT PANEL	1
19	BD0072	CO2 CONDUCT TUBE	1
20	C30006	EVAPORATOR DRAIN PAN	1
21	BD0036	EVAPORATOR	1
22	H01110	CIRCULATE FAN	1
23	H00335	SENSOR CLIP	1
24	BD0053	PROBE PADDING	1
25	H00205	SENSOR	2
26	N/A	UNIT BOARD	1

NO.	PART #	DESCRIPTION	QTY
27	BD0030	CONDENSER COIL	1
28	H01110	CONDENSER FAN	2
29	C30007	CONDENSER DRAIN BOX	1
30	N/A	FILTER DRIER FIXER	1
31	H00341.1	FILTER DRIER	1
32	BD0032	DISCHARGE PIPE	1
33	H00020F	COMPRESSOR	1
34	C2194691	MAIN SWITCH	2
35	H00219	THERMOSTAT	1
36	BD0055	SIDE LOUVERED COVER	1
37	BD0047	NUT	2
38	BD0038	FRAMEWORK WITH BOARD	1
39	BD0043	LAMP TRANSFORMER	1
40	N/A	ELECTRICAL EQUIPMENT FIXER	1
41	H00215	JUNCTION BOX	1
42	N/A	JUNCTION BOX COVER	1
43	BD0056	SUCTION PIPE	1
44	BD0065	UNIT ROOM GRILL	1
45	BC30900	PLUG	1
46	BD0042	LAMP	1
47	N/A	AIR FLOW CONDUCT BOARD	1
48	G30002	DRAIN PIPE A	1
49	G30001	DRAIN PIPE B	1
50	BD0067	DIPENSING TOWER	1
51	BD0071	BIG TUBE	1
52	BD0058	DRAIN GRILL	1
53	BD0045	LEFT DOOR	1

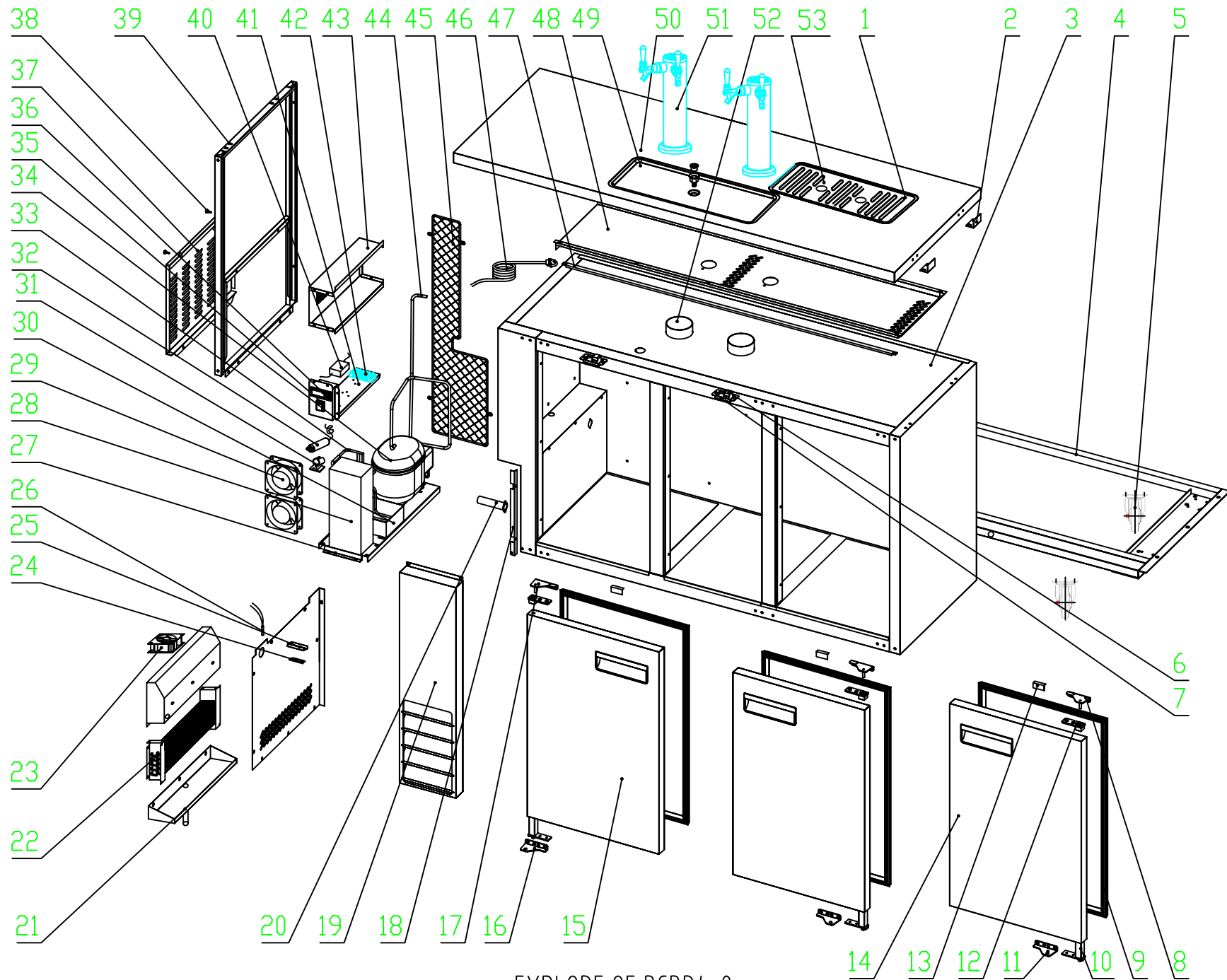


EXPLODE OF BCBD3-2

MODEL BCBD3-2

NO.	PART #	DESCRIPTION	QTY
1	BD0063	TOP	1
2	N/A	TOP FIXED CLIP	4
3	N/A	BODY	1
4	N/A	SUPPORT OF BODY	1
5	H00316	FRONT CASTER W/BRAKE	2
5	H00317	REAR CASTER W/O BRAKE	2
6	C10001	DOOR SWITCH	2
7	N/A	DOOR SWITCH BOX	2
8	BD0033	DOOR HINGE/RIGHT UP	1
9	BD0040	DOOR GASKET	2
10	H00328	HINGE CARTRIDGE, SELF CLOSING	2
11	C02327RB	DOOR HINGE/RIGHT DOWN	1
12	H00326	DOWN HINGE AXIS JACKET	1
13	BD0046	LOCK HOOK	2
14	BD0054	RIGHT DOOR	1
15	C01327LB	DOOR HINGE/LEFT DOWN	1
16	BD0035	DOOR HINGE/LEFT UP	1
17	N/A	FRONT PANEL FIXED BOARD	1
18	BD0039	FRONT PANEL	1
19	BD0072	CO2 CONDUCT TUBE	1
20	C30006	EVAPORATOR DRAIN PAN	1
21	BD0036	EVAPORATOR	1
22	H01110	CIRCULATE FAN	1
23	H00335	SENSOR CLIP	1
24	BD0053	PROBE PADDING	1
25	H00205	SENSOR	2
26	N/A	UNIT BOARD	1

NO.	PART #	DESCRIPTION	QTY
27	BD0030	CONDENSER COIL	1
28	H01110	CONDENSER FAN	2
29	C30007	CONDENSER DRAIN BOX	1
30	N/A	FILTER DRIER FIXER	1
31	H00341.1	FILTER DRIER	1
32	BD0032	DISCHARGE PIPE	1
33	H00020F	COMPRESSOR	1
34	C2194691	MAIN SWITCH	2
35	H00219	THERMOSTAT	1
36	BD0055	SIDE LOUVERED COVER	1
37	BD0047	NUT	2
38	BD0038	FRAMEWORK WITH BOARD	1
39	BD0043	LAMP TRANSFORMER	1
40	N/A	ELECTRICAL EQUIPMENT FIXER	1
41	H00215	JUNCTION BOX	1
42	N/A	JUNCTION BOX COVER	1
43	BD0056	SUCTION PIPE	1
44	BD0065	UNIT ROOM GRILL	1
45	BC30900	PLUG	1
46	BD0042	LAMP	1
47	N/A	AIR FLOW CONDUCT BOARD	1
48	G30002	DRAIN PIPE A	1
49	G30001	DRAIN PIPE B	1
50	BD0068	DIPENSING TOWER	2
51	BD0071	BIG TUBE	2
52	BD0059	DRAIN GRILL	1
53	BD0045	LEFT DOOR	1



EXPLODE OF BCBD4-2

MODEL BCBD4-2

NO.	PART #	DESCRIPTION	QTY
1	BD0064	TOP	1
2	N/A	TOP FIXED CLIP	4
3	N/A	BODY	1
4	N/A	SUPPORT OF BODY	1
5	H00316	FRONT CASTER W/BRAKE	2
5	H00317	REAR CASTER W/O BRAKE	2
6	C10001	DOOR SWITCH	3
7	N/A	DOOR SWITCH BOX	3
8	BD0033	DOOR HINGE/RIGHT UP	2
9	BD0040	DOOR GASKET	3
10	H00328	HINGE CARTRIDGE, SELF CLOSING	3
11	C02327RB	DOOR HINGE/RIGHT DOWN	2
12	H00326	DOWN HINGE AXIS JACKET	3
13	BD0046	LOCK HOOK	2
14	BD0054	RIGHT DOOR	2
15	BD0045	LEFT DOOR	1
16	C01327LB	DOOR HINGE/LEFT DOWN	1
17	BD0035	DOOR HINGE/LEFT UP	1
18	N/A	FRONT PANEL FIXED BOARD	1
19	BD0039	FRONT PANEL	1
20	BD0072	CO2 CONDUCT TUBE	1
21	C30006	EVAPORATOR DRAIN PAN	1
22	BD0036	EVAPORATOR	1
23	H01110	CIRCULATE FAN	1
24	H00335	SENSOR CLIP	1
25	BD0053	PROBE PADDING	1
26	H00205	SENSOR	2

NO.	PART #	DESCRIPTION	QTY
27	N/A	UNIT BOARD	1
28	BD0030	CONDENSER COIL	1
29	H01110	CONDENSER FAN	2
30	C30007	CONDENSER DRAIN BOX	1
31	N/A	FILTER DRIER FIXER	1
32	H00341.1	FILTER DRIER	1
33	BD0032	DISCHARGE PIPE	1
34	H00019F	COMPRESSOR	1
35	C2194691	MAIN SWITCH	2
36	H00219	THERMOSTAT	1
37	BD0055	SIDE LOUVERED COVER	1
38	BD0047	NUT	2
39	BD0038	FRAMEWORK WITH BOARD	1
40	BD0043	LAMP TRANSFORMER	1
41	N/A	ELECTRICAL EQUIPMENT FIXER	1
42	H00215	JUNCTION BOX	1
43	N/A	JUNCTION BOX COVER	1
44	BD0056	SUCTION PIPE	1
45	BD0065	UNIT ROOM GRILL	1
46	C2194684	PLUG	1
47	BD0042	LAMP	1
48	N/A	AIR FLOW CONDUCT BOARD	1
49	G30002	DRAIN PIPE A	1
50	G30001	DRAIN PIPE B	1
51	BD0068	DIPENSING TOWER	2
52	BD0071	BIG TUBE	2
53	BD0059	DRAIN GRILL	1



Entrée Service Department Contact info:

John Spock

1-570-752-4602

Email: john@entree.biz

Website: <http://www.entree.biz>

For non-Warranty Parts please call our Parts Distributor,

1-855-394-8933