



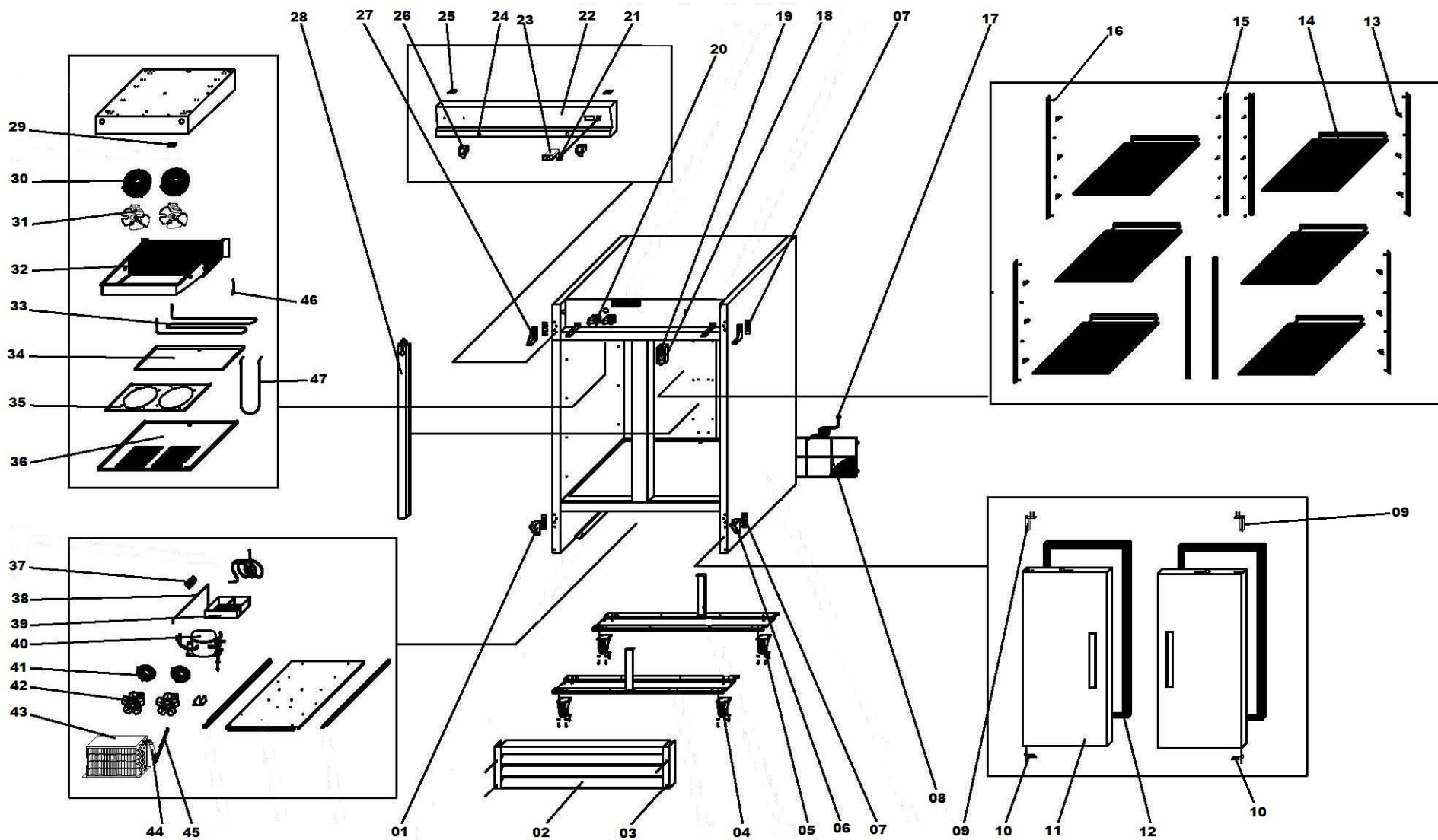
# PARTS LIST FOR TWO DOOR REACH-IN MODELS



CF2-TSI/CR2-TSI



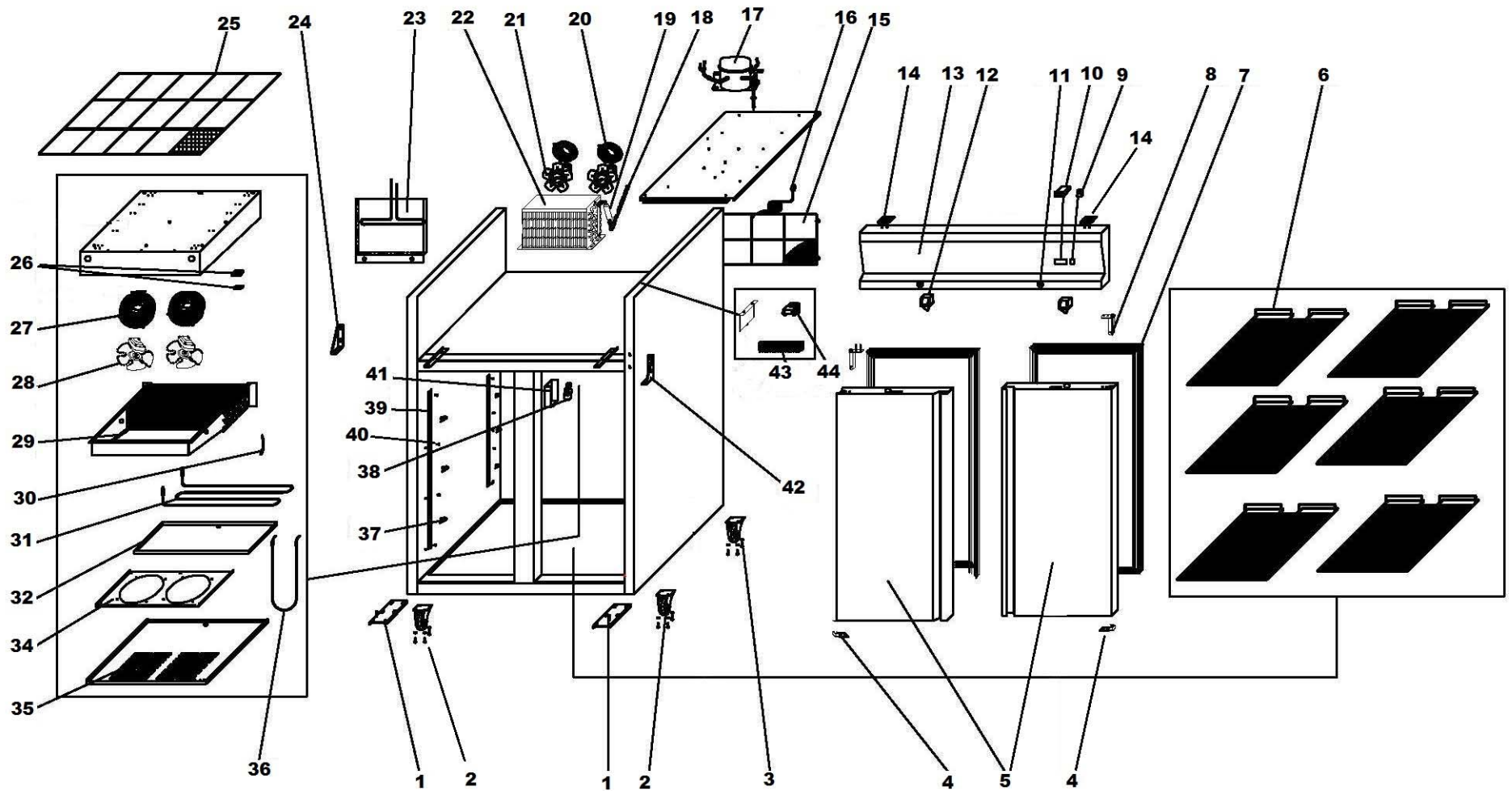
CF2/CR2



**Entree Model CF2 - Two Door Freezer**

# Entree Model CF2

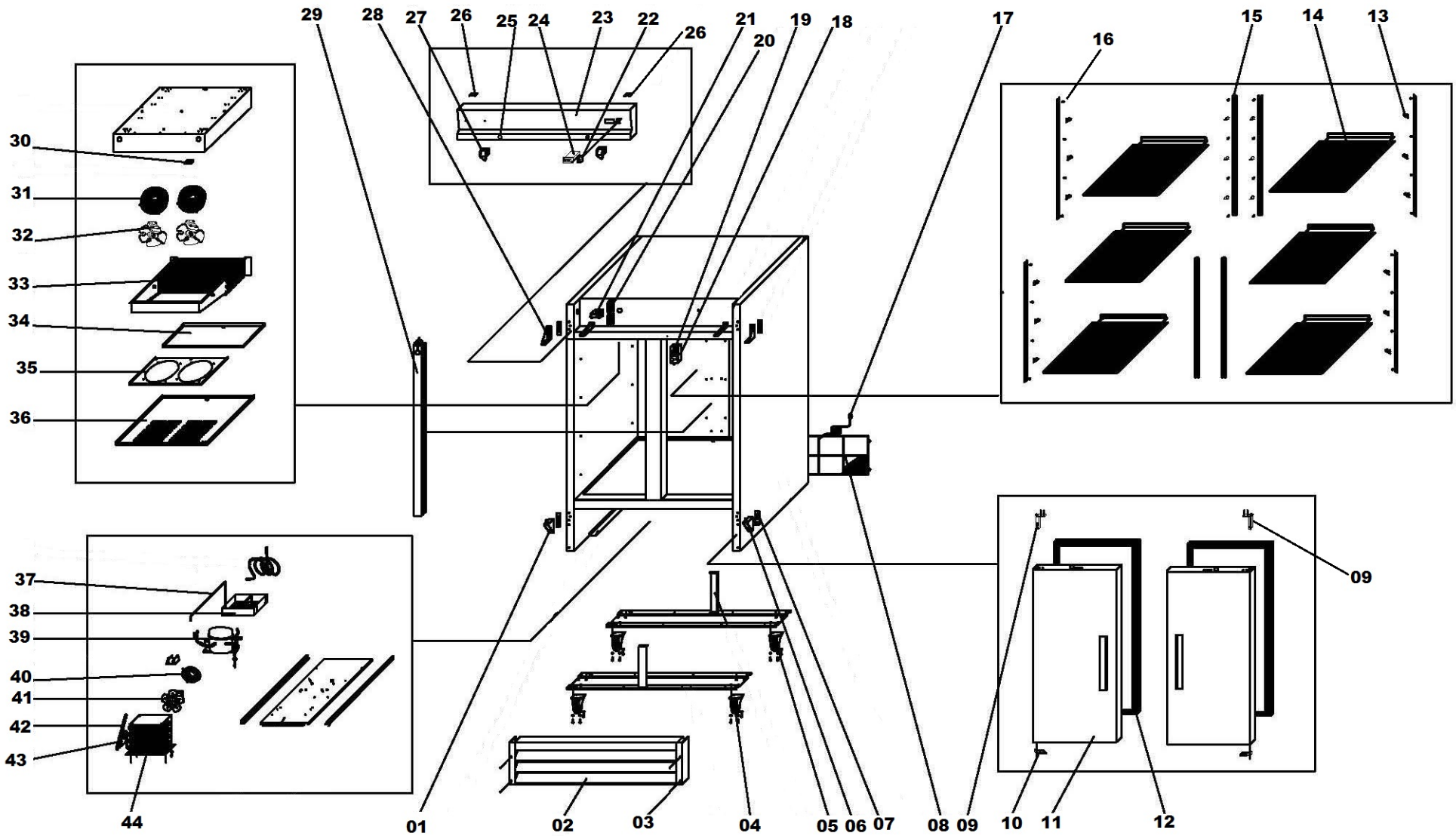
NO.	PART #	NAME	QTY.	NO.	PART #	NAME	QTY.
1	H00332	DOOR HINGE /DOWN	1	26	C2194677	DOOR SWITCH	2
2	H00338	FRONT PANEL	1	27	H00330	DOOR HINGE, TOP LEFT	1
3	S900.03	PLASTIC CAP	4		H00331	DOOR HINGE, TOP RIGHT	1
4	H00316	SWIVEL CASTER W/BRAKE	2	28	H00311	SUCTION PIPE COVER	1
5	H00317	SWIVEL CASTER W/O BRAKE	2	29	H00335	SENSOR CLIP	1
6	H00333	HINGE, BOTTOM RIGHT	1	30	H00112	FAN GUARD, EVAPORATOR, WHITE	2
7	H00329	SHIMS, DOOR HINGES	2	31	H00114	EVAPORATOR FAN	2
8	H00314	UNIT ROOM COVER	1	32	H00351	EVAPORATOR COIL	1
9	H00328	HINGE CARTRIDGE, SELF CLOSING	2	33	H00202	DEFROST HEATING ELEMENT (800W)	1
10	H00326	HINGE AXIS BOTTOM	2	34	H00142	EVAPORATOR WATER PAN (B/4 09/14)	1
11	H00324	DOOR, LEFT/RIGHT	2		H00142.1	EVAPORATOR WATER PAY (AFTER 09/14)	1
12	H00325	DOOR GASKET	2	35	H00133	EVAPORATOR FAN SUPPORT	1
13	C3234860	PILASTER CLIP	24	36	H00153	EVAPORATOR COVER, WHITE	1
14	H00308	SHELF, LEFT/RIGHT	6	37	H00215	TERMINAL BLOCK (5 POLE)	1
	H00308-C	SHELF LEFT RIGHT, W/4 CLIPS	*	38	H00391	EVAPORATE DRAIN TUBE	1
15	H00342	PILASTER	8		G30001	MALE DRAIN FITTING	1
16	H00312	THUMB SCREW	32		G30002	FEMALE DRAIN FITTING	1
17	C2194684	CORD & PLUG (14AWG/5-15P)	1		H00336	DRAIN JOINT	1
7	H00329	SHIMS, DOOR HINGES	2	39	C30003	WATER BOX	1
18	H00209	LAMP COVER	1	40	H00014F	COMPRESSOR KIT, T2180GK W/FILTER DRIER	1
19	C2194686	LAMP (25W, 120VAC)	1		H00221	HARD START KIT (T2180GK)	*
20	H00220	CONTACTOR	2	41	H00123	CONDENSER FAN GUARD, BLACK	1
21	C2194691	MAIN SWITCH (20A/120VAC)	1	42	H00120	CONDENSER FAN	2
22	H00319	FRONT PANEL	1	43	H00347	CONDENSER COIL	1
23	H00204	THERMOSTAT	1	44	H00341	FILTER DRIER	1
24	H00340	LOCK	2	45	H00304	CAPILLARY TUBE, ID .055", 130" L	1
	H00357	KEY	*	46	H00207	THERMAL FUSE FOR HEATING ELEMENT	1
25	H00321	HINGE, UPPER SHROUD	2	47	H00211	DRAIN TUBE HEATER, (7W)	1



**Entree Freezer Model CF2-TSI - Top Mount Compressor**

## Entree Model CF2-TSI

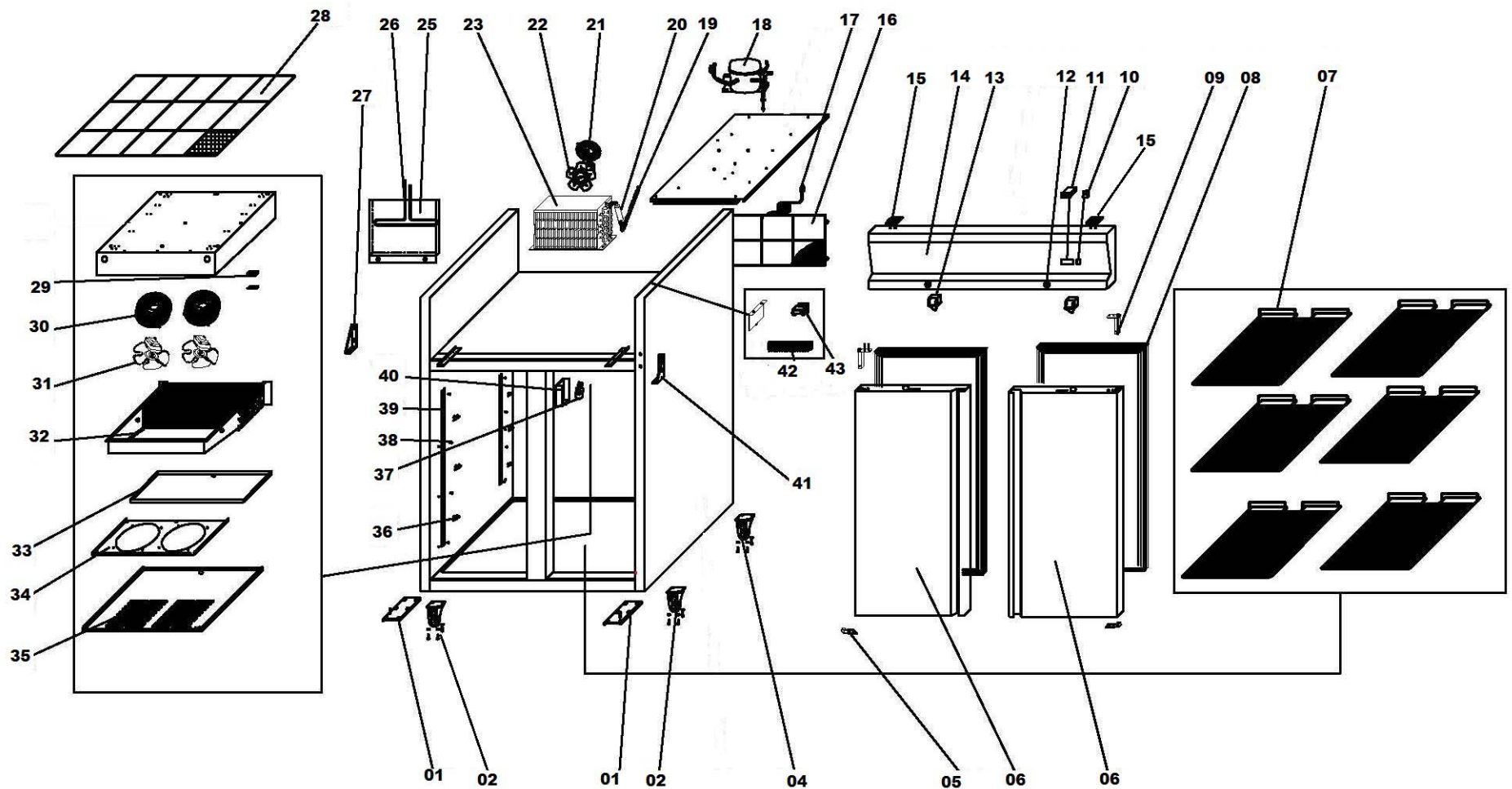
NO.	PART #	NAME	QTY.	NO.	PART #	NAME	QTY.
1	C20021	LOWER DOOR HINGE LEFT/RIGHT	2	22	H00347	CONDENSER COIL, 1410BTU	1
	H00327	HINGE PIN	2	23	C30002	CONDENSER WATER BOX, REAR MOUNT	1
2	H00316	SWIVEL CASTER W/BRAKE	2	24	C20021K	LEFT UPPER HINGE	1
3	H00317	SWIVEL CASTER W/O BRAKE	2	25	C20009	SCREEN, TOP COVER	1
4	H00326	HINGE AXIS, BOTTOM	2	26	H00335	SENSOR PROBE BRACKET	1
5	H00324T	DOOR LEFT OR RIGHT	2	27	H00112	EVAPORATOR FAN GUARD, WHITE	2
6	H00308	SHELF	6	28	H00114	EVAPORATOR FAN	2
	H00308-C	SHELF W/4 CLIPS	*	29	H00351	EVAPORATOR COIL	1
7	C30001	GASKET	2	30	H00207	THERMAL FUSE	1
8	H00328	HINGER CARTRIDGE, SELF CLOSING	2	31	H00202	DEFROST HEATING ELEMENT	1
9	C2194691	MAIN SWITCH	1	32	H00142	EVAPORATOR DRIP PAN (BEFORE 09/14)	1
10	H00204	THERMOSTAT	1		H00142.1	EVAPORATOR DRIP PAN (AFTER 09/14)	1
	H00205	SENSING PROBE (BOX AND EVAP)	2		G30001	MALE DRAIN FITTING	1
11	H00340	LOCK W/KEY	2		G30002	FEMALE DRAIN FITTING	1
	H00357	KEY	*		H00336	DRAIN JOINT	1
12	C2194677	DOOR SWITCH	2	34	H00133	EVAPORATOR FAN SUPPORT	1
13	C20012	FRONT PANEL	1	35	C20003	EVAPORATOR COVER, SS	1
14	H00321	HINGE	2	36	H00211	DRAIN PIPE HEATER, 13W	1
15	C20006	CONDENSER SCREEN COVER	1	37	C3234860	PILASTER CLIP	24
16	C2194684	PLUG	1	38	C2194686	LIGHT BULB, 25W/120V	1
17	H00014F	COMPRESSOR KIT, T2180GK + FILTER DRYER	1	39	H00342	PILASTER	8
	H00221	HARD START KIT (T2180GK)	*	40	H00312	THUMB SCREW	32
18	H00304	CAPILLARY TUBE ID .055", 130" L	1	41	H00209	LAMP COVER	1
19	H00341	FILTER DRIER	1	42	C20022K	UPPER RIGHT HINGE	1
20	H00123	CONDENSER FAN GUARD, BLACK	2	43	H00215	TERMINAL BLOCK (5 POLE)	1
21	H00110	MOTOR, COND FAN, 9W	2	44	H00220	CONTACTOR	2



**ENTREE MODEL CR2-ES BOTTOM MOUNT COMPRESSOR**

## Entree Model CR2-ES

NO.	PART #	NAME	QTY.	NO.	PART #	NAME	QTY.
1	H00332	DOOR HINGE /DOWN	1	25	H00340	LOCK W/KEY (2)	2
2	H00338	DOWN PANEL	1		H00357	KEY (EXTRA KEY SOLD SEPERATELY)	*
3	S900.03	PLASTIC CAP	4	26	H00321	HINGE, UPPER SHROUD	2
4	H00316	SWIVEL CASTER W/BRAKE	2	27	C10001	DOOR SWITCH	2
5	H00317	SWIVEL CASTER W/O BRAKE	2	28	H00330	DOOR HINGE, TOP LEFT	1
6	H00333	HINGE, BOTTOM RIGHT	1		H00331	DOOR HINGE, TOP RIGHT	1
7	H00329	SHIMS, DOOR HINGE	2	29	H00311	SUCTION PIPE COVER	1
8	H00314	UNIT ROOM COVER	1	30	H00335	SENSOR FIXED CLIP	1
9	H00328	HINGE CARTRIDGE, SELF CLOSING	2	31	H00112	FAN GUARD, EVAPORATOR, WHITE	2
10	H00326	HINGE AXIS, BOTTOM	2	32	H00114	EVAPORATOR FAN	2
11	H00324	DOOR, RIGHT/LEFT	2	33	H00350	EVAPORATOR COIL	1
12	H00325	DOOR GASKET	2	34	H00142	EVAPORATOR WATER PAN (B/4 09/14)	1
13	C3234860	PILASTER CLIP	24		H00142.1	EVAPORATOR WATER PAN (AFTER 09/14)	1
14	H00308	SHELF, LEFT/RIGHT	6	35	H00132	EVAPORATOR FAN SUPPORT	1
	H00308-C	SHELF, LEFT/RIGHT W/4 CLIPS	*	36	H00153	EVAPORATOR COVER, WHITE	1
15	H00342	PILASTER	8	37	H00391	EVAPORATE DRAIN PIPE	1
16	H00312	THUMBSCREW	32		G30001	MALE DRAIN FITTING	1
17	C2194684	CORD & PLUG (14AWG/5-15P)	1		G30002	FEMALE DRAIN FITTING	1
18	H00209	LAMP COVER	1		H00336	DRAIN JOINT	1
19	C2194686	LAMP	1	38	C30003	WATER BOX	1
20	H00216	TERMINAL STRIP	1	39	H00019F	COMPRESSOR KIT, (FFU130HAX)	1
	H00215	TERMINAL STRIP (5 POLE)	1		H00225	HARD START KIT (FFU130HAX)	
21	H00220	CONTACTOR	1	40	H00123	CONDENSER FAN GUARD, BLACK	1
22	C2194691	MAIN SWITCH	1	41	H00120	CONDENSER FAN	1
23	H00319	FRONT PANEL	1	42	H00303	CAPILLARY TUBE .055" ID X 118.1" L	1
24	H00219	THERMOSTAT	1	43	H00341	FILTER DRIER	1
	H00205	TEMPERATURE SENSOR	2	44	H00346	CONDENSER COIL	1



**ENTREE MODEL CR2-TSI-ES TOP MOUNT COMPRESSOR**



# ENTREE MODEL CR2-TSI-ES TOP MOUNT COMPRESSOR

No.	PART #	NAME	QTY	No.	PART #	NAME	QTY
1	C20021	HINGE, LOWER LEFT/RIGHT TOP-MOUNT	2	22	H00110	CONDENSER FAN MOTOR, 9W	1
	H00327	HINGE PIN	2	23	H00346	CONDENSER COIL	1
2	H00316	SWIVEL CASTER W/BRAKE	2	25	C30002	WATER BOX	1
4	H00317	SWIVEL CASTER W/O BRAKE	2	26	H00392	DRAIN TUBE	1
5	H00326	HINGE AXIS, BOTTOM	2	27	C20028	UPPER LEFT HINGE ONLY	1
6	H00324T	DOOR	2	28	C20009	COVER, SCREEN, TOP, CONDENSER, 2DR	1
7	H00308	SHELF	6	29	H00335	SENSOR CLIP	1
	H00308-C	SHELF W/FOUR CLIPS	*	30	H00112	FAN GUARD, EVAPORATOR, WHITE	2
8	C30001	DOOR GASKET	2	31	H00114	EVAPORATOR FAN MOTOR	2
9	H00328	HINGE CARTRIDGE, SELF CLOSING	2	32	H00351-1	EVAPORATOR COIL	1
10	C2194691	SWITCH, POWER ON/OFF 20A/125V	1	33	H00142	EVAPORATOR WATER PAN (PRIOR TO 09/14)	1
11	H00219	THERMOSTAT DIGITAL CONTROL	1		H00142.1	EVAPORATOR WATER PAN (AFTER 09/14)	1
11	H00205	TEMPERATURE SENSING PROBE	2		H00336	DRAIN JOINT	1
12	H00340	LOCK SET	2		G30001	MALE DRAIN FITTING	1
	H00357	KEY ONLY	*		G30002	FEMALE DRAIN FITTING	1
13	C2194677	DOOR SWITCH	1	34	H00132	MOTOR SUPPORT, EVAPORATOR FAN	1
14	C20012	FRONT PANEL	1	35	C20003	EVAPORATOR COVER, SS	1
15	H00321	HINGE, UPPER SHROUD	2	36	C3234860	PILASTER, CLIP	24
16	C20006	COVER, SCREEN, BLACK, CONDENSER 2DR	1	37	C2194686	LIGHT BULB, 25W/120V	1
17	C2194684	POWER CORD, 14AWG/5-15P	1	38	H00342	PILASTER	8
18	H00019F	COMPRESSOR (FFU130HAX)W/FILTER DRIER	1	39	H00312	THUMB SCREWS	32
	H00225	HARD START KIT (FFU130HAX)		40	H00209	LAMP COVER	1
19	H00303	CAPILLARY TUBE .055" ID X 118.1" L	1	41	C20022	UPPER RIGHT DOOR HINGE ONLY	1
20	H00341	FILTER DRIER	1	42	H00216	TERMINAL BLOCK (15 POLE)	1
21	H00123	FAN GUARD BLACK – CONDENSER	1	43	H00220	CONTACTOR	1

## **Model Number Breakdown:**

CR1-EC

C = Entrée

R = Refrigerator

F = Freezer

1 = Number of doors on the unit

EC = Economy Model

## **Serial Number Date Code:**

Example: 1509ENTH00123

The first two numbers are the Year, 15 = 2015

The second two number are the Month, 09 = September

ENTH = Entrée

**After July 2018** – ENT**Q** will designate **R290** and ENT**B** will designate **R600** new HC Refrigerant.

The last FIVE numbers are the numerical sequence of units built that month. In the example this unit would have been the one hundred twenty third unit.

Data tag is located on the inside left panel of box.

If you have any questions on Parts, Service Requests or Tech Support, you can contact the Entrée LLC at:

704-900-2068.

THIS PAGE LEFT BLANK INTENTIONALLY



For Parts, Service or Tech Support:

1-704-900-2068

Website: [www.entree.biz](http://www.entree.biz)