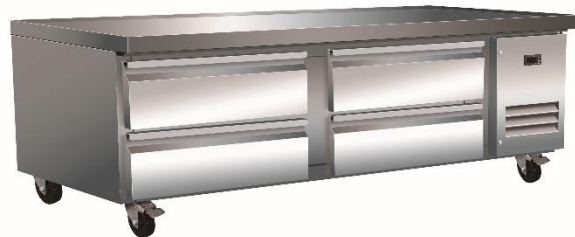
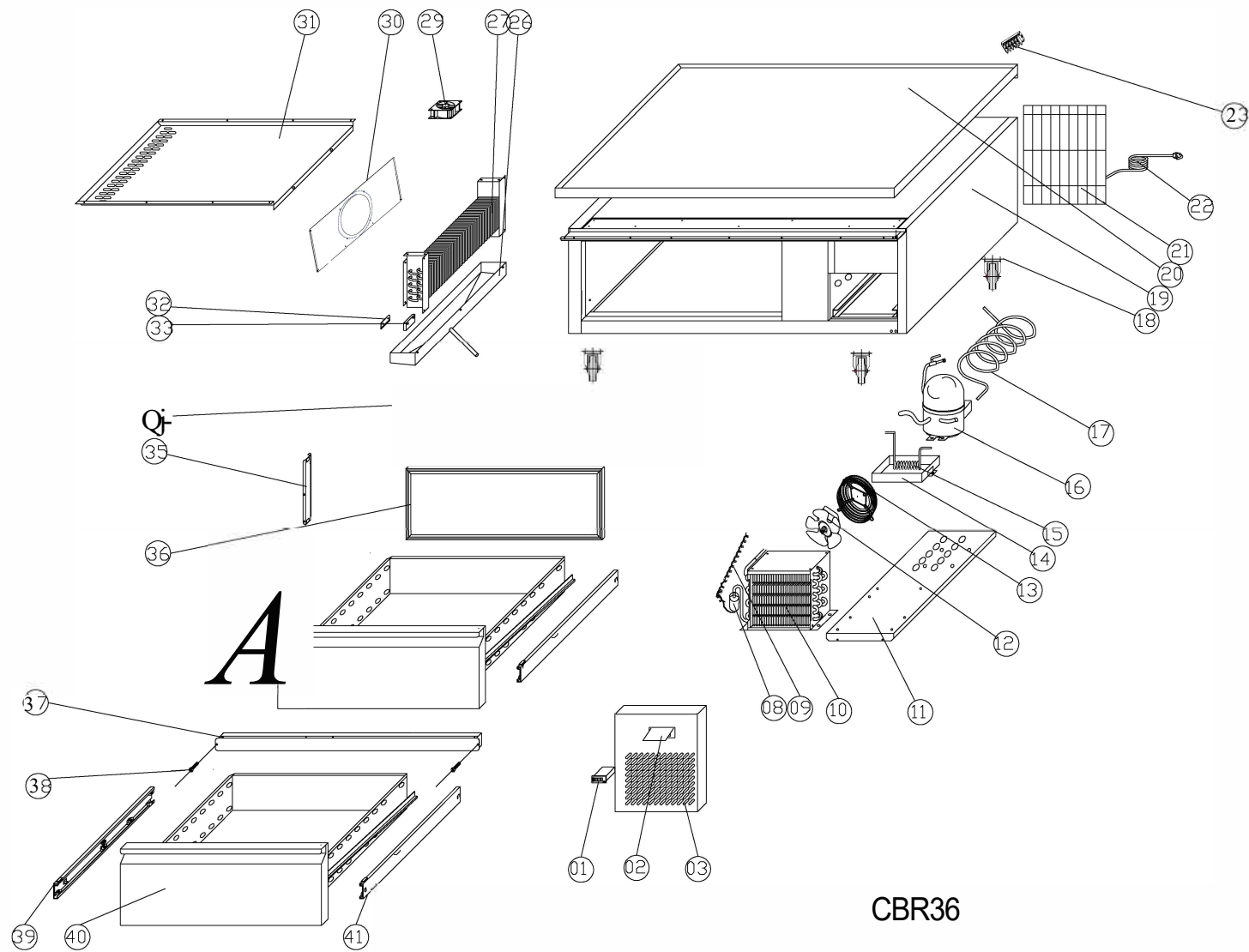




PARTS LIST
CHEF BASE MODELS
CBR36-D, CBR48-D,
CBR60-D, CBR72-D

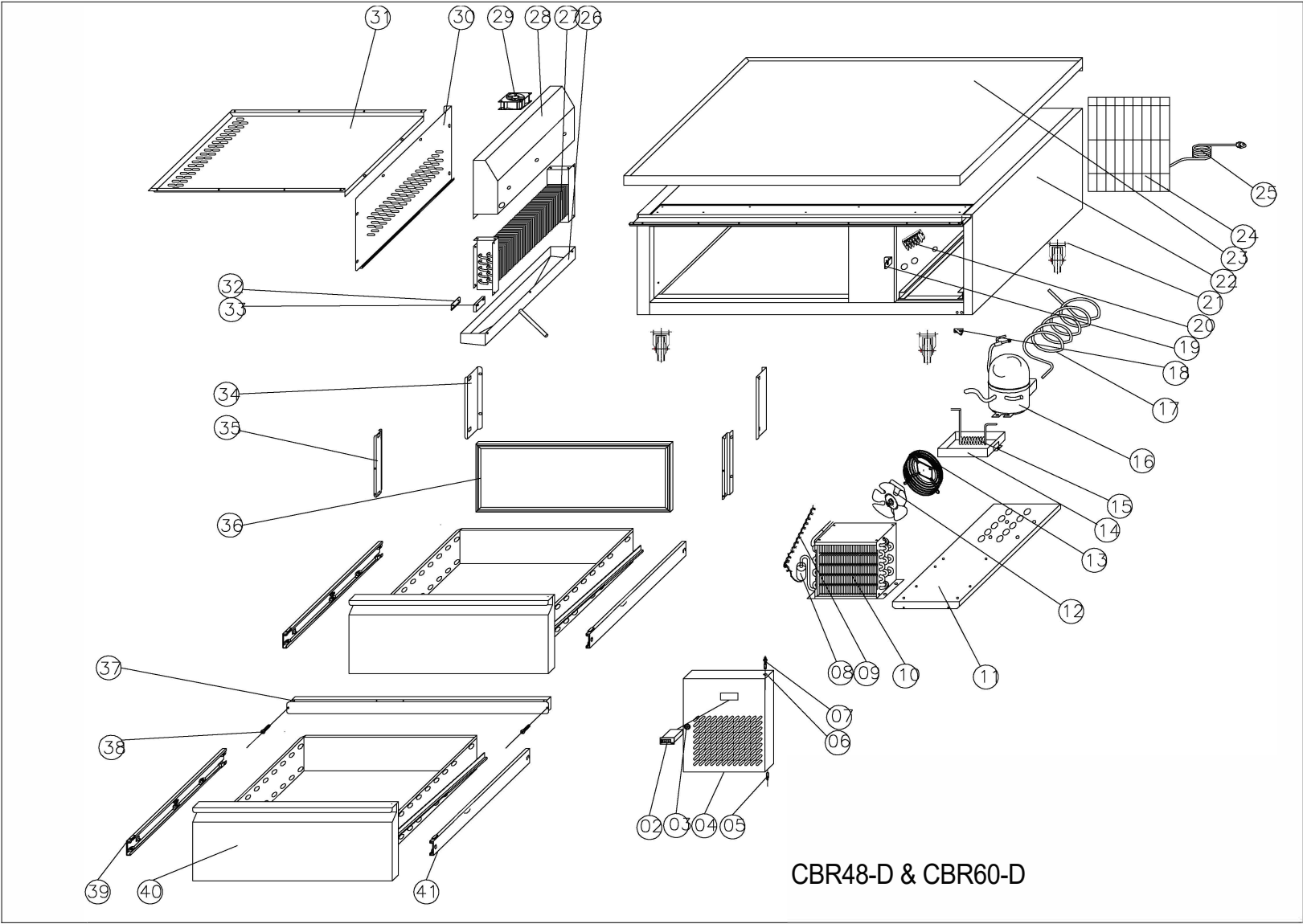




CBR36

CBR36

| NO. | PART # | DESCRIPTION | QTY |
|-----|----------|-------------------------------------|--------|
| 1 | H00219 | THERMOSTAT | 1 |
| | H00205 | TEMPERATURE PROBE | 2 |
| 2 | NA | | |
| 3 | RD3607 | FRONT PANEL | 1 |
| 8 | RD0341 | FILTER DRIER | 1 |
| 9 | H03305 | CAPILLARY (0.045" ID X 118.1" LONG) | 1 |
| 10 | RD3645 | CONDENSER | 1 |
| 11 | NA | UNIT BOARD | 1 |
| 12 | H00110 | CONDENSER FAN | 1 |
| 13 | RD3630 | EVAPORATOR FAN GRILL | 1 |
| 14 | C30005 | WATER BOX | 1 |
| 15 | RD4809 | EVAPORATE PIPE | 1 |
| 16 | H00032F | COMPRESSOR | 1 |
| 17 | RD3608 | SUCTION PIPE | 1 |
| 18 | RD4815 | SWIVEL CASTER | 4 |
| 19 | NA | BODY | 1 |
| 20 | RD3601 | TOP | 1 |
| 21 | RD3614 | UNIT ROOM COVER | 1 |
| 22 | C2194684 | PLUG | 1 |
| 23 | H00215 | TERMINAL BLOCK | 1 |
| 26 | RD3611 | EVAPORATOR WATER PAN | 1 |
| 27 | RD3610 | EVAPORATOR COIL | 1 |
| 29 | H01110 | CIRCLE FAN | 1 |
| 30 | RD3612 | FAN SUPPORT | 1 |
| 31 | RD3604 | AIR FLOW CONDUCT BOARD | 1SET |
| 32 | H00335 | SENSOR FIXED CLIP | 1 |
| 33 | BD0053 | PROBE PADDING | 2PAIRS |
| 34 | NA | BACK SUPPORT RIGHT/LEFT | 1PAIR |
| 35 | NA | FRONT SUPPORT RIGHT/LEFT | 1PAIR |
| 36 | RD3602 | GASKET | 2 |
| 37 | RD3605 | BRIDGE | 1 |
| 38 | RD0003 | SCREW | 2 |
| 39 | RD0001-1 | GUIDE LEFT | 2 |
| 40 | RD3606 | DRAWER | 2 |
| 41 | RD0002-1 | GUIDE RIGHT | 2 |

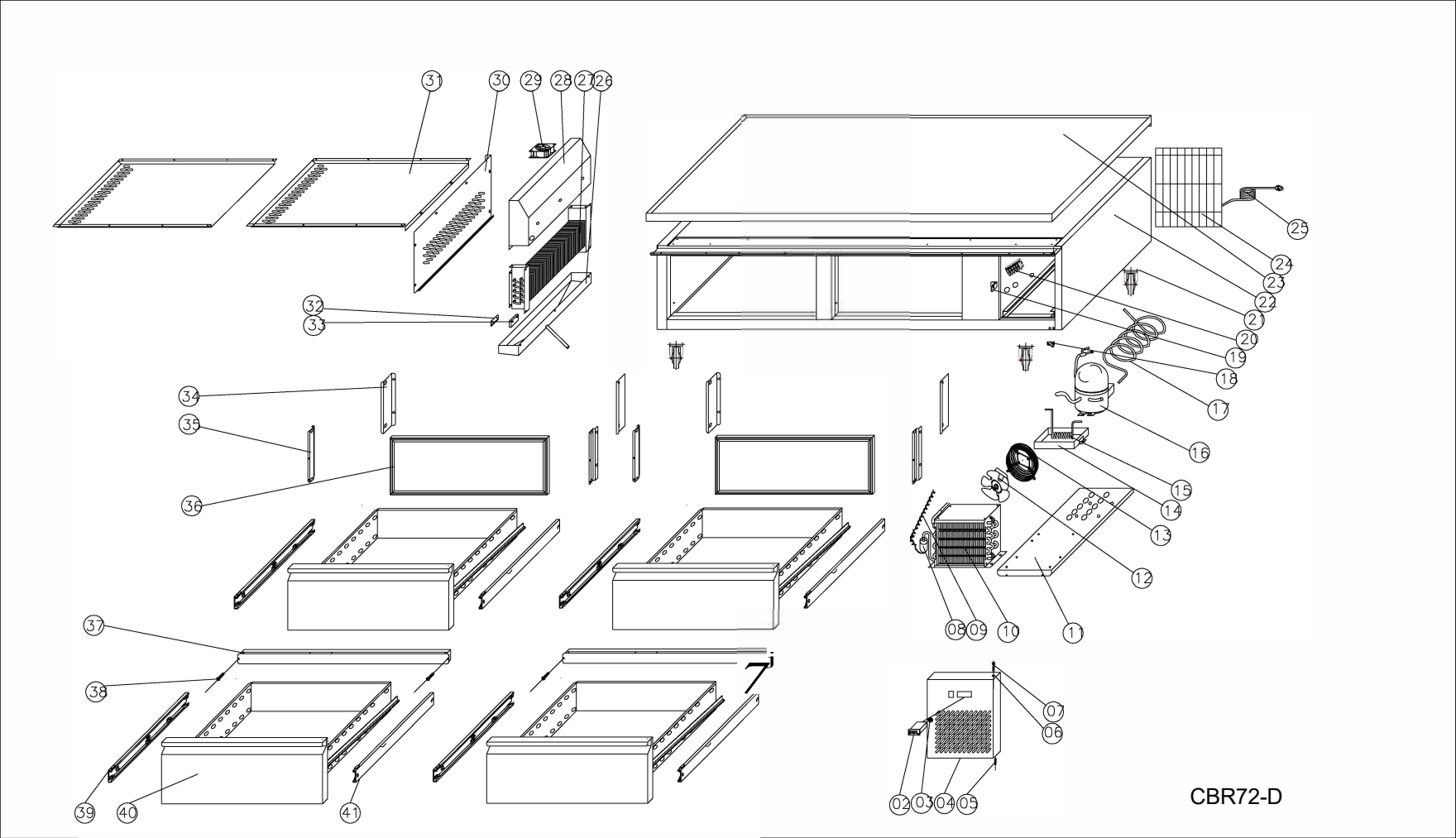


CBR48

| NO. | PART # | DESCRIPTION | QTY |
|-----|----------|-------------------------------------|-------|
| 2 | H00219 | THERMOSTAT | 1 |
| | H00205 | TEMPERATURE PROBE | 2 |
| 3 | H00340 | LOCK | 1 |
| 4 | RD4807 | FRONT PANEL | 1 |
| 5 | H00327 | DOWN HINGE AXIS | 2 |
| 6 | H00327B | BUSHING | 2 |
| 7 | RD4807-1 | NUT | 2 |
| 8 | RD0341 | FILTER DRIER | 1 |
| 9 | H03305 | CAPILLARY (0.045" ID X 118.1" LONG) | 1 |
| 10 | RD0345 | CONDENSER COIL | 1 |
| 11 | NA | UNIT BOARD | 1 |
| 12 | H00110 | CONDENSER FAN | 1 |
| 13 | RD3630 | EVAPORATOR FAN GRILL | 1 |
| 14 | C30005 | WATER BOX | 1 |
| 15 | RD4809 | EVAPORATE PIPE | 1 |
| 16 | H00032F | COMPRESSOR | 1 |
| 17 | RD4808 | SUCTION PIPE | 1 |
| 18 | NA | FRONT PANEL HINGE | 1 |
| 19 | H00343 | LOCK HOOK | 1 |
| 20 | H00215 | TERMINAL BLOCK | 1 |
| 21 | RD4815 | SWIVEL CASTER | 4 |
| 22 | NA | BODY | 1 |
| 23 | RD4801 | TOP | 1 |
| 24 | RD4814 | UNIT ROOM COVER | 1 |
| 25 | C2194684 | PLUG | 1 |
| 26 | RD4811 | EVAPORATOR WATER PAN | 1 |
| 27 | RD4810 | EVAPORATOR COIL | 1 |
| 28 | NA | FAN SUPPORT | 1 |
| 29 | RD0110 | EVAPORATOR COIL FAN | 2 |
| 30 | RD4803 | EVAPORATOR COVER | 1 |
| 31 | RD4804 | AIR FLOW CONDUCT BOARD | 1SET |
| 32 | H00335 | SENSOR FIXED CLIP | 1 |
| 33 | BD0053 | PROBE PADDING | 2PAIR |
| 34 | NA | BACK SUPPORT RIGHT/LEFT | |
| 35 | NA | FRONT SUPPORT RIGHT/LEFT | |
| 36 | RD4802 | GASKET | 2 |
| 37 | RD4805 | BRIDGE | 1 |
| 38 | RD0003 | SCREW | 2 |
| 39 | RD0001-1 | GUIDE LEFT | 2 |
| 40 | RD4806 | DRAWER | 2 |
| 41 | RD0002-1 | GUIDE RIGHT | 2 |

CBR60

| NO. | PART # | DESCRIPTION | QTY |
|-----|----------|-------------------------------------|--------|
| 2 | H00219 | THERMOSTAT | 1 |
| | H00205 | TEMPERATURE PROBE | 2 |
| 3 | H00340 | LOCK | 1 |
| 4 | RD4807 | FRONT PANEL | 1 |
| 5 | H00327 | DOWN HINGE AXIS | 2 |
| 6 | H00327B | BUSHING | 2 |
| 7 | RD4807-1 | NUT | 2 |
| 8 | RD0341 | FILTER DRIER | 1 |
| 9 | H03305 | CAPILLARY (0.045" ID X 118.1" LONG) | 1 |
| 10 | RD0345 | CONDENSER COIL | 1 |
| 11 | NA | UNIT BOARD | 1 |
| 12 | H00110 | CONDENSER FAN | 1 |
| 13 | RD3630 | EVAPORATOR FAN GRILL | 1 |
| 14 | C30005 | WATER BOX | 1 |
| 15 | RD4809 | EVAPORATE PIPE | 1 |
| 16 | H00032F | COMPRESSOR | 1 |
| 17 | RD4808 | SUCTION PIPE | 1 |
| 18 | NA | FRONT PANEL HINGE | 1 |
| 19 | H00343 | LOCK HOOK | 1 |
| 20 | H00215 | TERMINAL BLOCK | 1 |
| 21 | RD4815 | SWIVEL CASTER | 4 |
| 22 | NA | BODY | 1 |
| 23 | RD6001 | TOP | 1 |
| 24 | RD4814 | UNIT ROOM COVER | 1 |
| 25 | C2194684 | PLUG | 1 |
| 26 | RD4811 | EVAPORATOR WATER PAN | 1 |
| 27 | RD4810 | EVAPORATOR COIL | 1 |
| 28 | NA | FAN SUPPORT | 1 |
| 29 | RD0110 | EVAPORATOR COIL FAN | 2 |
| 30 | RD4803 | EVAPORATOR COVER | 1 |
| 31 | RD6004 | AIR FLOW CONDUCT BOARD | 1SET |
| 32 | H00335 | SENSOR FIXED CLIP | 1 |
| 33 | BD0053 | PROBE PADDING | 2PAIRS |
| 34 | NA | BACK SUPPORT RIGHT/LEFT | |
| 35 | NA | FRONT SUPPORT RIGHT/LEFT | |
| 36 | RD6002 | GASKET | 2 |
| 37 | RD6005 | BRIDGE | 1 |
| 38 | RD0003 | SCREW | 2 |
| 39 | RD0001-1 | GUIDE LEFT | 2 |
| 40 | RD6006 | DRAWER | 2 |
| 41 | RD0002-1 | GUIDE RIGHT | 2 |



CBR72-D



For Tech Support or Parts Call:
1-704-900-2068

Website: <https://www.entree.biz>