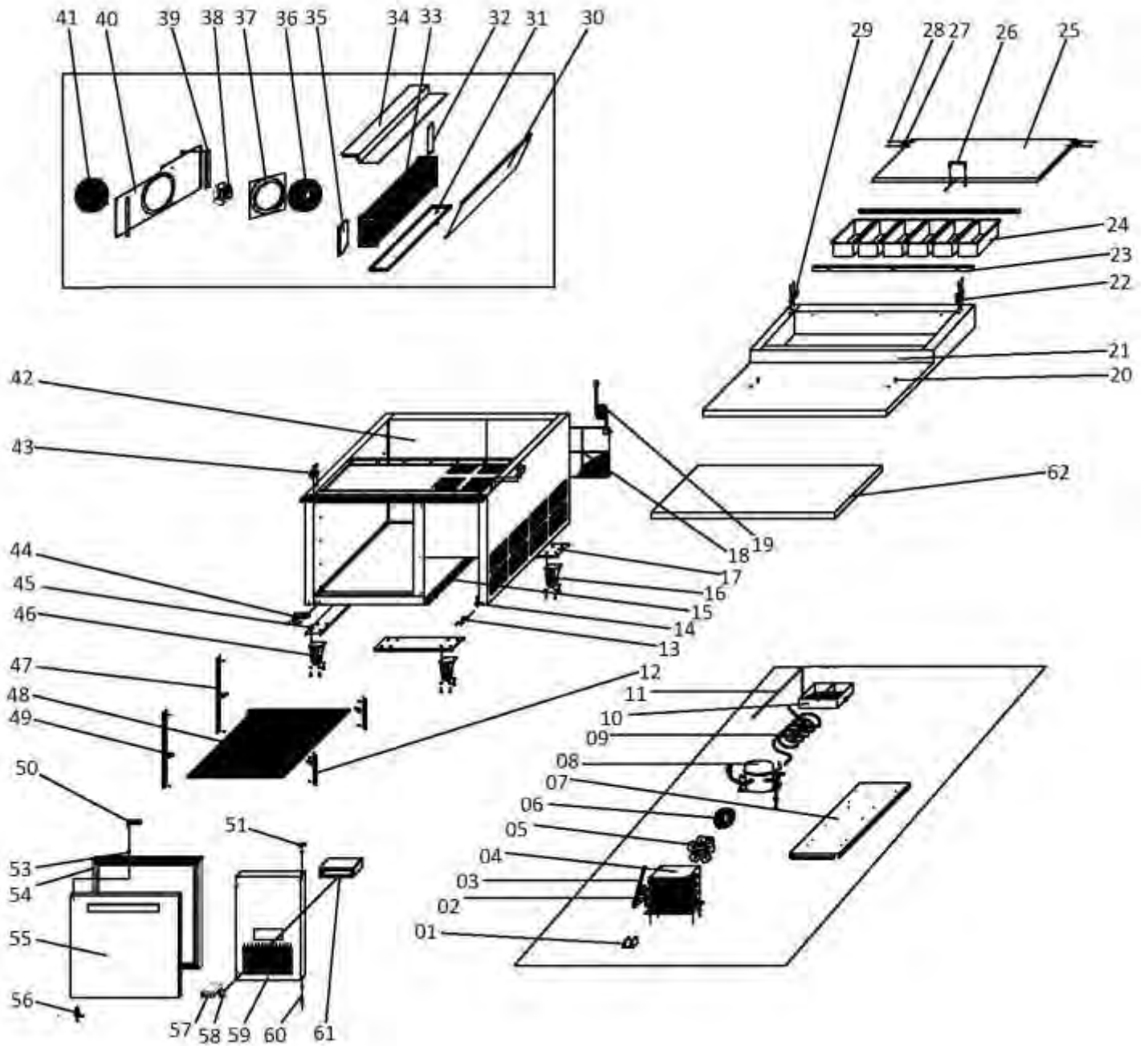




PARTS LIST FOR PREP TABLES

PIZZA AND SANDWICH MODELS

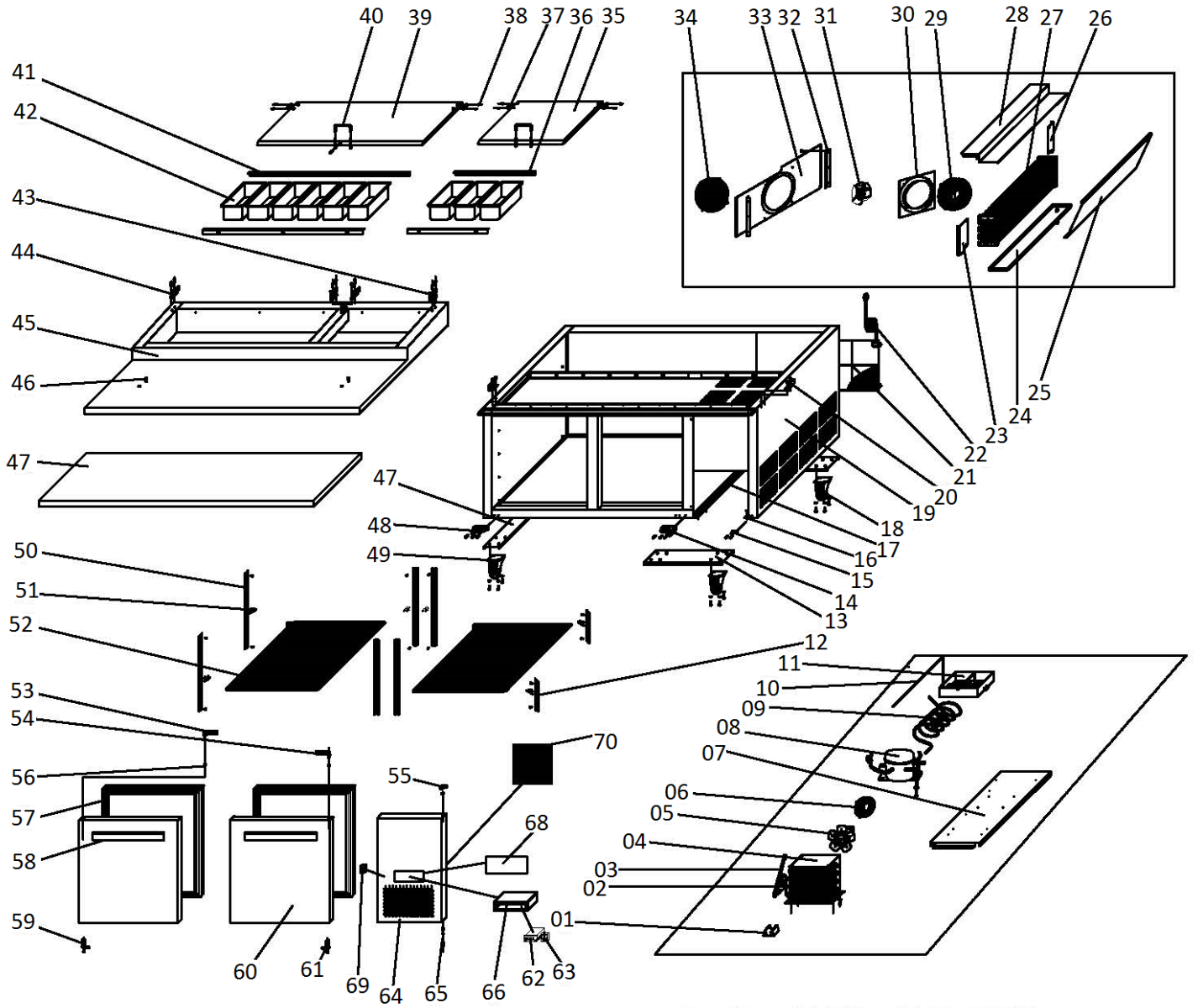
MODEL P47 – PIZZA PREP UNIT



MODEL P47 PIZZA PREP

REF#	PART #	DESCRIPTION	QTY
1	N/A	DRIER SUPPORT	1
2	H00341	FILTER DRIER	1
3	H03302	CAPILLARY TUBE .055" ID X 98.4" L	1
4	H00345	CONDENSER COIL 1/4 HP	1
5	H00110	MOTOR, COND FAN, 9W	1
6	H00123	FAN GUARD, CONDENSER, BLACK	1
7	N/A	UNIT BOARD	1
8	H00019F	COMPRESSOR KIT, FFU130HAK + FILTER DRYER	1
8	H00225	HARD START KIT, FOR COMPRESSOR FFU130HAK	1
9	N/A	SUCTION PIPE	1
10	C30004	CONDENSER DRAIN BOX (PREP UNITS)	1
11	N/A	EVAPORATE PIPE	1
12	H01342	SHORT PILASTER	2
13	H03327	HINGE, PIZZA CONDENSER COVER (BOTTOM)	1
14	N/A	RIGHT GUIDE OF UNIT BOARD	1
15	N/A	LEFT GUIDE OF UNIT BOARD	1
16	H00317	CASTER, 4" DIAMETER WITHOUT BRAKE	2
17	N/A	SUPPORT OF UNIT BOARD	2
18	H02314	UNIT ROOM COVER	1
19	C2194684	POWER CORD, 14AWG/5-15P	1
20	N/A	FIXED PIN OF CUTTING BOARD	2
21	N/A	TOP	1
22	H00383	LID HINGE, RIGHT, PIZZA	1
23	H02344	LONG PAN SUPPORT, PIZZA	2
24	H01241	FOOD PAN, 1/3 SIZE X 6"	6
25	H00374	LID, PIZZA PREP	1
26	H00376	HANDLE OF COVER	1
27	H01234	LID HINGE PIN	2
28	N/A	COVER HINGE AXIS	4
29	H00380	LID HINGE, LEFT, PIZZA	1
30	H01147	AIR FLOW CONDUCT PANEL	1
31	H01146	EVAPORATOR DRAIN PAN	1
32	N/A	EVAPORATOR FIXED CLIP /BACK	1
33	H01346	EVAPORATOR COIL	1
34	H03156	EVAPORATOR COVER	1
35	N/A	EVAPORATOR FIXED CLIP/ FRONT	1
36	H01122	GUARD, EVAP FAN WHITE	1
37	H03132	MOTOR SUPPORT, EVAPORATOR FAN	1
38	H00114	EVAPORATOR FAN MOTOR	1
39	N/A	FIXED SUPPORT OF FAN COVER	2
40	H03133	EVAPORATOR FAN MTG PANEL	1
41	H01123	EVAPORATOR FAN GRILL	1
42	N/A	BODY	1
43	N/A	TOP CLIP	2
44	C01327LB	HINGE, LOWER LEFT, PREP UNIT	1
45	N/A	FIXED BOARD OF WHEEL	1
46	H00316	CASTER, 4" DIAMETER W/ BRAKE	2
47	H01342	LONG PILASTER	2
48	H01311	SHELF	1
48	H01311-C	SHELF W/4 CLIPS	1
49	C3234860	PILASTER, CLIP	4
50	H01327	HINGE, TOP LEFT, PREP UNITS	1
51	H03328	HINGE, PIZZA CONDENSER COVER (TOP)	1
53	H00327B	HINGE BUSHING	3
54	H01325	GASKET, FULL DOOR, 25 1/2" LONG X 26 11/16" WIDE	1
55	C01322	DOOR /LEFT	1
56	H00328	HINGE CARTRIDGE, SELF CLOSING	1
57	H00205	TEMPERATURE SENSOR	2
57	H00219	THERMOSTAT	1
58	C2194691	SWITCH, POWER ON/OFF 20A/125V	1
59	H00367	SIDE CONDENSER COVER, PIZZA	1
60	H00327	HINGE PIN	1
61	N/A	THERMOSTAT PROTECTIVE BOX	1
62	H01246	CUTTING BOARD, P47	1

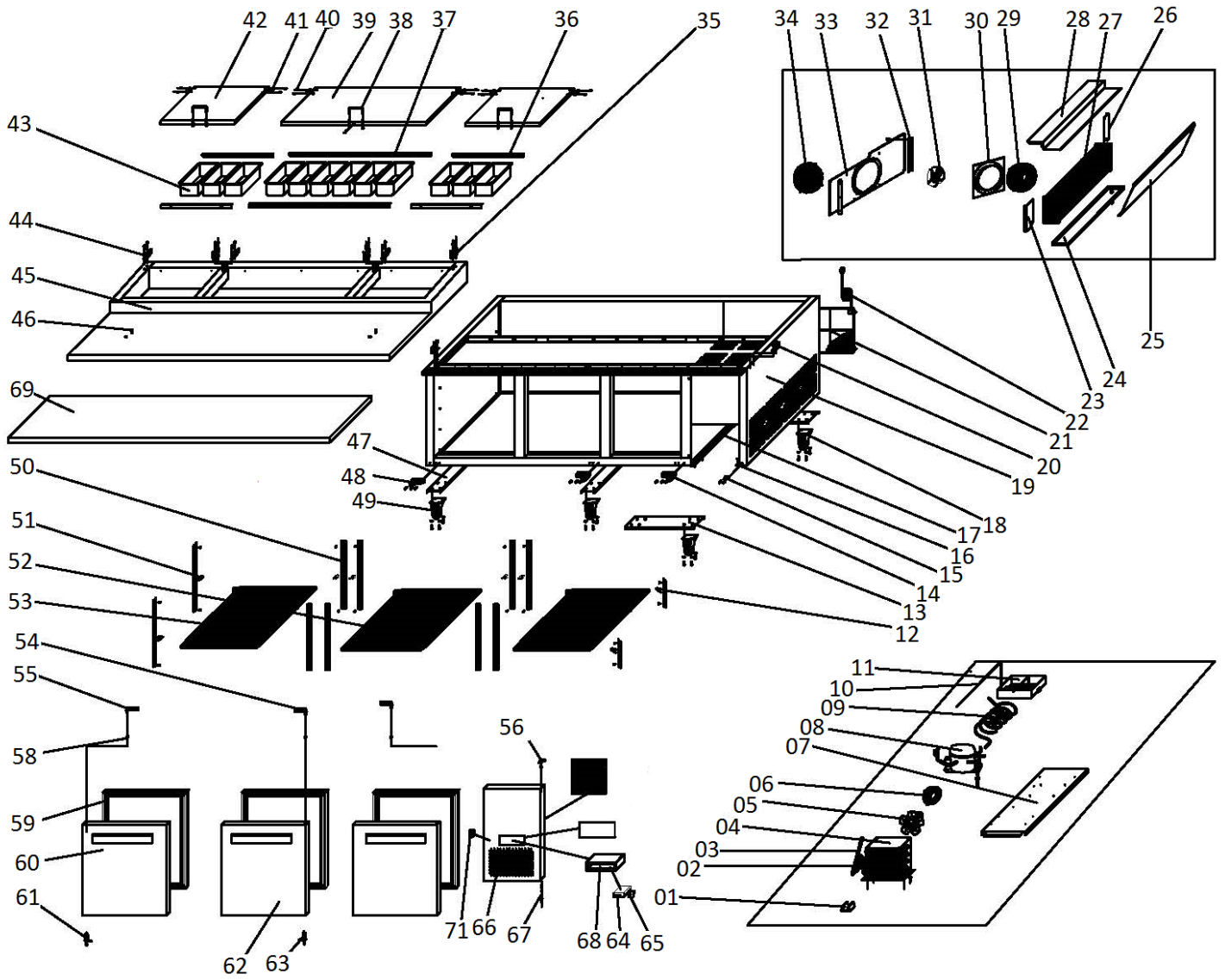
MODEL P70 – PIZZA PREP UNIT



MODEL P70 - PIZZA PREP UNIT

REF#	PART #	DESCRIPTION	QTY
1	N/A	DRIER SUPPORT	1
2	H00341	FILTER DRIER	1
3	H00303	CAPILLARY TUBE .055" ID X 118.1" L	1
4	H00345	CONDENSER COIL 1/4 HP	1
5	H00110	MOTOR, COND FAN, 9W	1
6	H00123	FAN GUARD, CONDENSER, BLACK	1
7	N/A	UNIT BOARD	1
8	H00019F	COMPRESSOR KIT, FFU130HAK + FILTER DRYER	1
8	H00225	HARD START KIT, FOR COMPRESSOR FFU130HAK	1
9	N/A	SUCTION PIPE	1
10	N/A	EVAPORATE PIPE	1
11	C30004	CONDENSER DRAIN BOX (PREP UNITS)	1
12	H01342	SHORT PILASTER	2
13	N/A	SUPPORT OF UNIT BOARD	2
14	C02327RB	HINGE, LOWER RIGHT, PREP UNIT	1
15	H03327	HINGE, PIZZA CONDENSER COVER (BOTTOM)	1
16	N/A	RIGHT GUIDE OF UNIT BOARD	1
17	N/A	LEFT GUIDE OF UNIT BOARD	1
18	H00317	CASTER, 4" DIAMETER WITHOUT BRAKE	2
19	N/A	BODY	1
20	N/A	TOP CLIP	2
21	H02314	UNIT ROOM COVER	1
22	C2194684	POWER CORD, 14AWG/5-15P	1
23	N/A	EVAPORATOR FIXED CLIP/ FRONT	1
24	H01146	EVAPORATOR DRAIN PAN	1
25	H01147	AIR FLOW CONDUCT PANEL	1
26	N/A	EVAPORATOR FIXED CLIP /BACK	1
27	H01346	EVAPORATOR	1
28	H03156	EVAPORATOR COVER	1
29	H01122	GUARD, EVAP FAN WHITE	1
30	H03132	MOTOR SUPPORT, EVAPORATOR FAN	1
31	H00114	EVAPORATOR FAN MOTOR	1
32	N/A	FIXED SUPPORT OF FAN COVER	2
33	H03133	EVAPORATOR FAN MTG PANEL	1
34	H01123	EVAPORATOR FAN GRILL	1
35	H00375	LID, P70, P94	1
36	H02345	SHORT PAN SUPPORT, PIZZA	2
37	H01234	LID HINGE PIN	4
38	N/A	COVER HINGE AXIS	8
39	H00374	LID, P70, P94	1
40	H00376	HANDLE OF COVER	2
41	H02344	LONG PAN SUPPORT, PIZZA	2
42	H01241	FOOD PAN, 1/3 SIZE X 6"	9
43	H00383	LID HINGE, RIGHT, PIZZA	2
44	H00380	LID HINGE, LEFT, PIZZA	2
45	N/A	TOP	1
46	N/A	FIXED PIN OF CUTTING BOARD	2
47	N/A	FIXED BOARD OF WHEEL	1
48	C01327LB	HINGE, LOWER LEFT, PREP UNIT	1
49	H00316	CASTER, 4" DIAMETER W/ BRAKE	2
50	H01342	LONG PILASTER	6
51	C3234860	PILASTER, CLIP	8
52	H02307	SHELF, LEFT and RIGHT, P70	2
52	H02307-C	SHELF, LEFT and RIGHT, P70 W/4 CLIPS	2
53	H01327	HINGE, TOP LEFT, PREP UNITS	1
54	C02327	HINGE, TOP RIGHT, PREP UNIT	2
55	H03328	HINGE, PIZZA CONDENSER COVER (TOP)	1
56	H00327B	HINGE BUSHING	4
57	H01319	GASKET, FULL DOOR, P70, 25 1/2" LONG X 24 11/64" WIDE	2
58	H02324L	FULL LEFT DOOR, P70	1
59	H00328	HINGE CARTRIDGE, SELF CLOSING	1
60	H02324R	FULL RIGHT DOOR, P70	1
61	H00328	HINGE CARTRIDGE, SELF CLOSING	1
62	H00205	TEMPERATURE SENSOR	2
62	H00219	THERMOSTAT	1
63	C2194691	SWITCH, POWER ON/OFF 20A/125V	1
64	H00367	SIDE CONDENSER COVER, PIZZA	1
65	H00327	HINGE PIN	1
66	N/A	THERMOSTAT PROTECTIVE BOX	1
67	H01247	CUTTING BOARD, P70	1

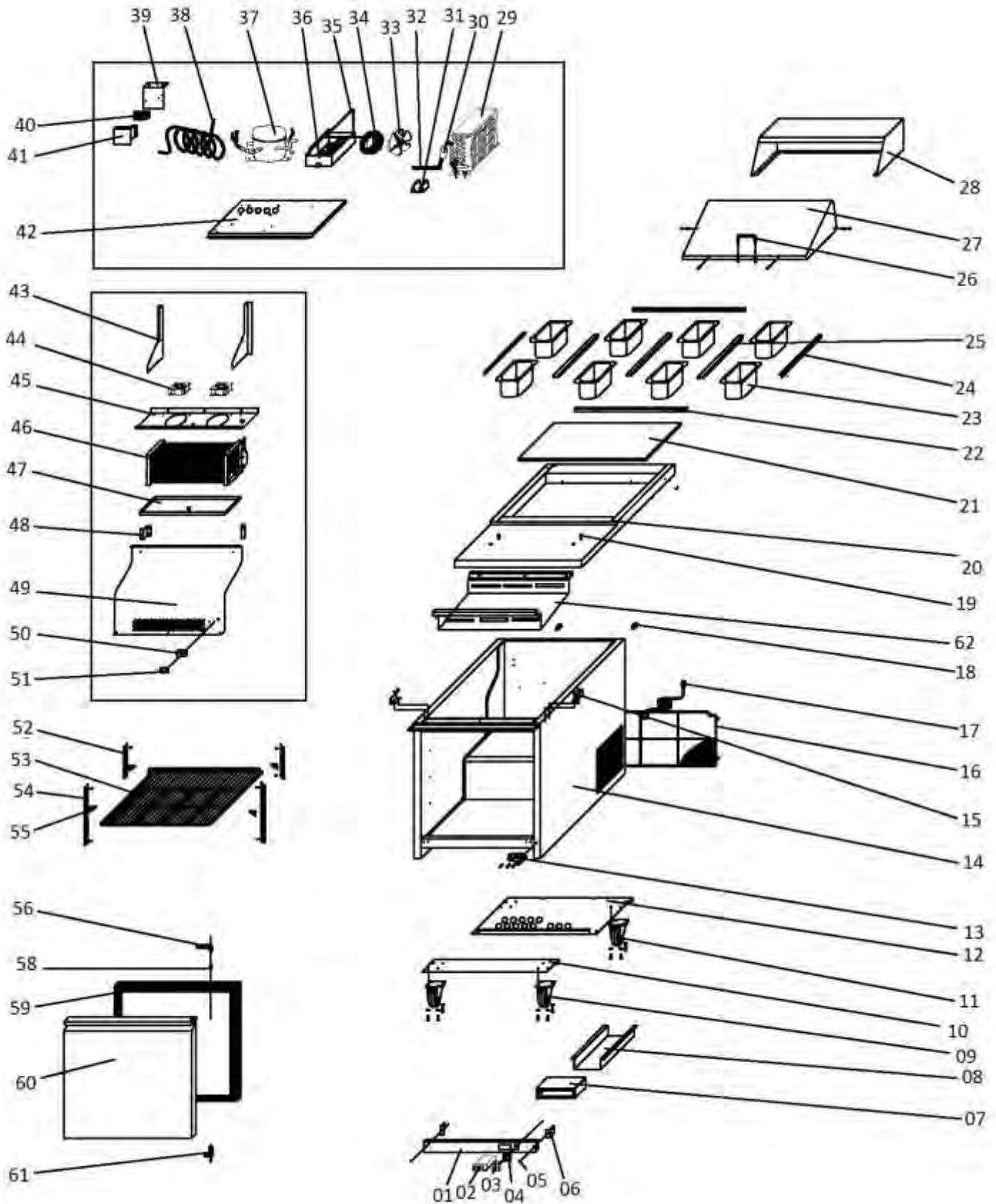
MODEL P94 – PIZZA PREP UNIT



MODEL P94 - PIZZA PREP UNIT

REF#	PART #	DESCRIPTION	QTY
1	N/A	DRIER SUPPORT	1
2	H00341	FILTER DRIER	1
3	H03303	CAPILLARY TUBE .055" ID X 157.7 L	1
4	H00346	CONDENSER COIL 1/4 HP	1
5	H00110	MOTOR, COND FAN, 9W	1
6	H00113	FAN GUARD, CONDENSER, BLACK	1
7	N/A	UNIT BOARD	1
8	H00015F	COMPRESSOR KIT, T6213Z + FILTER DRYER	1
8	H01219	HARD START KIT (T6213Z)	1
9	N/A	SUCTION PIPE	1
10	N/A	EVAPORATE PIPE	1
11	C30004	CONDENSER DRAIN BOX (PREP UNITS)	1
12	H01342	SHORT PILASTER	2
13	N/A	SUPPORT OF UNIT BOARD	2
14	C02327RB	HINGE, LOWER RIGHT, PREP UNIT	2
15	H03327	HINGE, PIZZA CONDENSER COVER (BOTTOM)	1
16	N/A	RIGHT GUIDE OF UNIT BOARD	1
17	N/A	LEFT GUIDE OF UNIT BOARD	1
18	H00317	CASTER, 4" DIAMETER WITHOUT BRAKE	2
19	N/A	BODY	1
20	H00382	CUTTING BOARD MOUNTING BRACKET	2
21	H02314	UNIT ROOM COVER	1
22	C2194684	POWER CORD, 14AWG/5-15P	1
23	N/A	EVAPORATOR FIXED CLIP /FRONT	1
24	H01146	EVAPORATOR DRAIN PAN	1
25	H01147	AIR FLOW CONDUCT PANEL	1
26	N/A	EVAPORATOR FIXED CLIP/BACK	1
27	H01346	EVAPORATOR COIL	1
28	H03156	EVAPORATOR COVER	1
29	H01122	GUARD, EVAP FAN WHITE	1
30	H03132	MOTOR SUPPORT, EVAPORATOR FAN	1
31	H00114	EVAPORATOR FAN MOTOR	1
32	N/A	FIXED SUPPORT OF FAN COVER	2
33	H03133	EVAPORATOR FAN MTG PANEL	1
34	H01123	EVAPORATOR FAN GRILL	1
35	H00383	LID HINGE, RIGHT, PIZZA	2
36	H02345	SHORT PAN SUPPORT, PIZZA	4
37	H02344	LONG PAN SUPPORT, PIZZA	2
38	H00376	HANDLE OF COVER	3
39	H00374	LID, P70, P94	1
40	N/A	COVER HINGE AXIS	12
41	H01234	LID HINGE PIN	6
42	H00375	LID, P70, P94	2
43	H01241	FOOD PAN, 1/3 SIZE X 6"	9
44	H00380	LID HINGE, LEFT, PIZZA	2
45	N/A	TOP	1
46	N/A	FIXED PIN CUTTING BOARD	2
47	N/A	FIXED BOARD OF WHEEL	2
48	C01327LB	HINGE, LOWER LEFT, PREP UNIT	1
49	H00316	CASTER, 4" DIAMETER W/ BRAKE	2
50	H02342	LONG PILASTER, PIZZA	10
51	C3234860	PILASTER, CLIP	12
52	H03307-C	MIDDLE SHELF, P94 + 4 CLIPS	1
52	H03307	SHELF / MIDDLE	1
53	H02308	SHELF LEFT /RIGHT	2
53	H02308-C	SHELF LEFT /RIGHT W/4 CLIPS	*
54	C02327	HINGE, TOP RIGHT, PREP UNIT	2
55	H01327	HINGE, TOP LEFT, PREP UNITS	1
56	H03328	HINGE, PIZZA CONDENSER COVER (TOP)	1
58	H00327B	HINGE BUSHING	4
59	H01318	GASKET, FULL DOOR, P94, 25 1/2" LONG X 23 5/16" WIDE	2
60	H00323L	FULL LEFT DOOR, P94	1
63	H00328	HINGE CARTRIDGE, SELF CLOSING	1
61	H00328	HINGE CARTRIDGE, SELF CLOSING	1
62	H00323R	FULL RIGHT DOOR, P94	2
64	H00205	TEMPERATURE SENSOR	2
64	H00219	THERMOSTAT	1
65	C2194691	SWITCH, POWER ON/OFF 20A/125V	1
66	H00367	SIDE CONDENSER COVER, PIZZA	1
67	H00327	HINGE PIN	1
68	N/A	THERMOSTAT PROTECTIVE BOX	1
69	H01248	CUTTING BOARD, P94	1

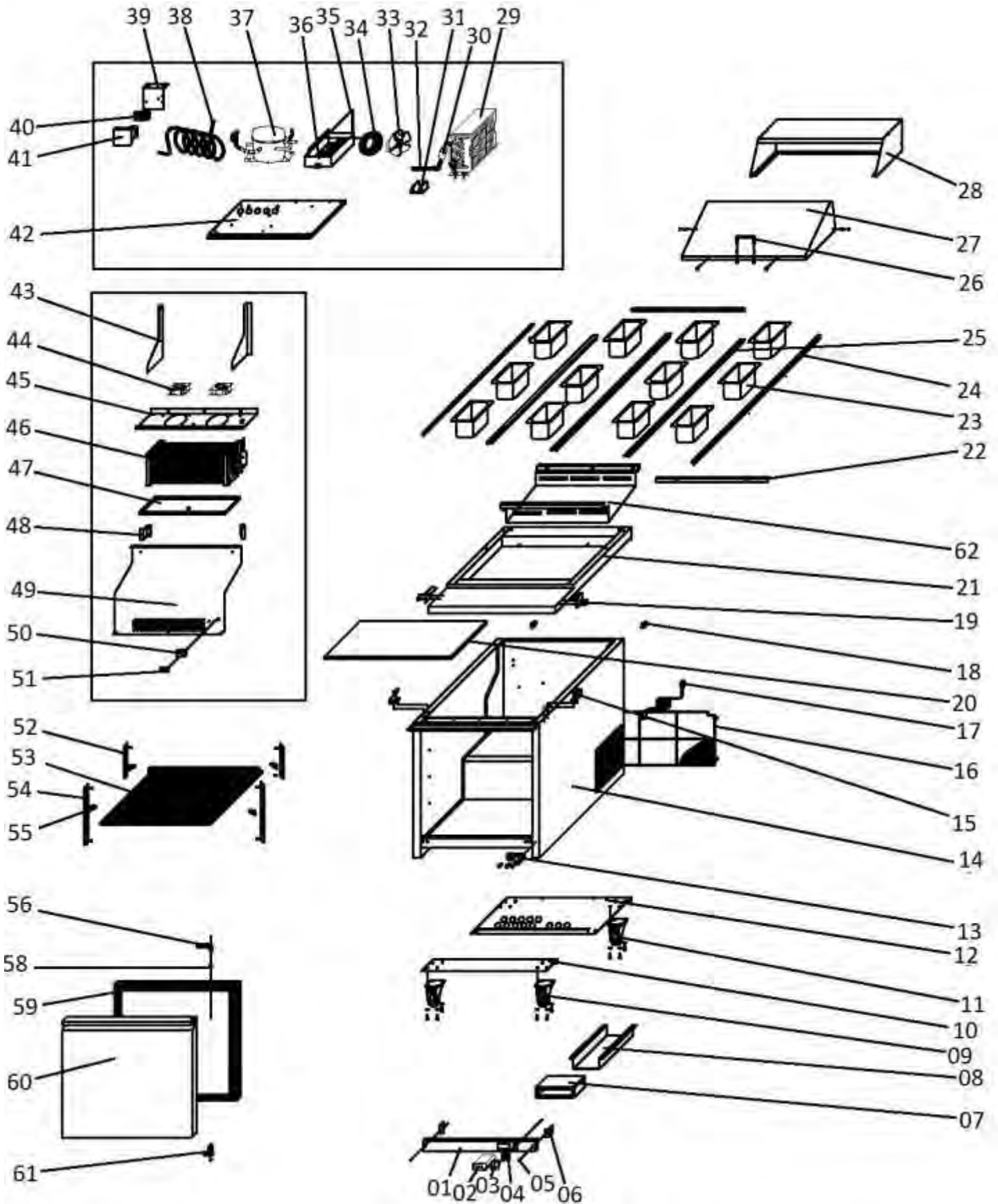
MODEL S29 – PREP UNIT



MODEL S29 PREP UNIT

REF#	PART #	DESCRIPTION	QTY
1	H00363	LOWER FRONT PANEL	1
2	H00205	TEMPERATURE SENSOR	2
2	H00219	THERMOSTAT	1
3	C2194691	SWITCH, POWER ON/OFF 20A/125V	1
4	N/A	SWITCH SHIELD	1
5	S900.03	PLASTIC CAP	2
6	N/A	FIXED CLIP OF FRONT PANEL	2
7	N/A	THERMOSTAT PROTECTIVE BOX	1
8	N/A	CABLE COVER	1
9	H01316	CASTER 2.5" DIAMETER WHEEL, WITH BRAKE	2
10	N/A	FRONT SUPPORT OF UNIT BOARD	1
11	H01317	CASTER 2.5" DIAMETER WHEEL, WITH OUT BRAKE	2
12	N/A	BACK SUPPORT OF UNIT BOARD	1
13	C02327RB	HINGE, LOWER RIGHT, PREP UNIT	1
14	N/A	BODY	1
15	N/A	TOP CLIP	1
16	H01313	REAR MACHINE COMPARTMENT COVER, 29	1
17	C2194684	POWER CORD, 14AWG/5-15P	1
18	H02315	REAR WALL SPACER	2
19	N/A	FIXED PIN OF CUTTING BOARD	2
20	N/A	TOP	1
21	H01243	CUTTING BOARD, S29	1
22	H03377	PAN SUPPORT RAIL, FRONT OR BACK	2
23	H01242	FOOD PAN, 1/6 SIZE X 4"	8
24	H00378	PAN SUPPORT CHANEL LEFT OR RIGHT	2
25	H00377	PAN SUPPORT	3
26	H00376	HANDLE OF COVER	1
27	H00371	MOVING COVER	1
28	H00368	FIXED COVER	1
29	H01347	CONDENSER COIL	1
30	H00341	FILTER DRIER	1
31	N/A	DRIER SUPPORT	1
32	H01301	CAPILLARY TUBE .039" ID X 118.1" L	1
33	H00120	MOTOR, CONDENSER FAN	1
34	H00123	FAN GUARD, CONDENSER, BLACK	1
35	N/A	EVAPORATE PIPE	1
36	C30004	CONDENSER DRAIN BOX (PREP UNITS)	1
37	H00020F	COMPRESSOR KIT, FFI8.5HAX 115V + FILTER DRYER	1
37	H01220	HARD START KIT FOR COMPRESSOR FFI8.5HAK	1
38	N/A	SUCTION PIPE	1
39	N/A	CONNECTOR SUPPORT	1
40	H00215	TERMINAL BLOCK, 5 POLE	1
41	N/A	CONNECTOR COVER	1
42	N/A	UNIT BOARD	1
43	N/A	AIR FLOW CONDUCT BOARD	2
44	H01110	EVAPORATOR FAN MOTOR (6W)	3
45	H01131	EVAPORATOR FAN MOTOR SUPPORT S29	1
46	H01349	EVAPORATOR COIL	1
47	G30001	DRAIN PIPE (A) MALE	1
47	G30002	DRAIN PIPE (B) FEMALE	1
48	N/A	FIXED SUPPORT OF EVAPORATOR COVER	2
49	H01151	EVAPORATOR COVER	1
50	N/A	PROBE PADDING	1
51	H00335	SENSOR CLIP	1
52	H01342	SHORT PILASTER	4
53	H01307	SHELF 17" X 26.2"	2
53	H01307-C	SHELF 17" X 26.2" W/4 CLIPS	**
54	H01342	LONG PILASTER	4
55	C3234860	PILASTER, CLIP	8
56	C02327	HINGE, TOP RIGHT, PREP UNIT	1
58	H00327B	HINGE BUSHING	2
59	H01325	GASKET, FULL DOOR, 25 1/2" LONG X 26 11/16" WIDE	1
60	H01322A	DOOR	1
61	H00328	HINGE CARTRIDGE, SELF CLOSING	2

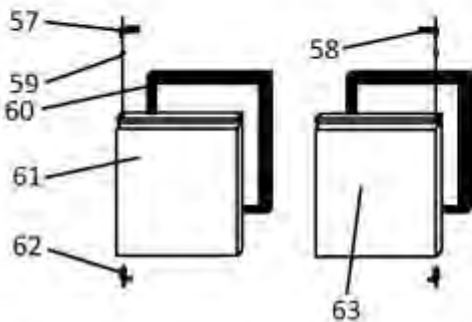
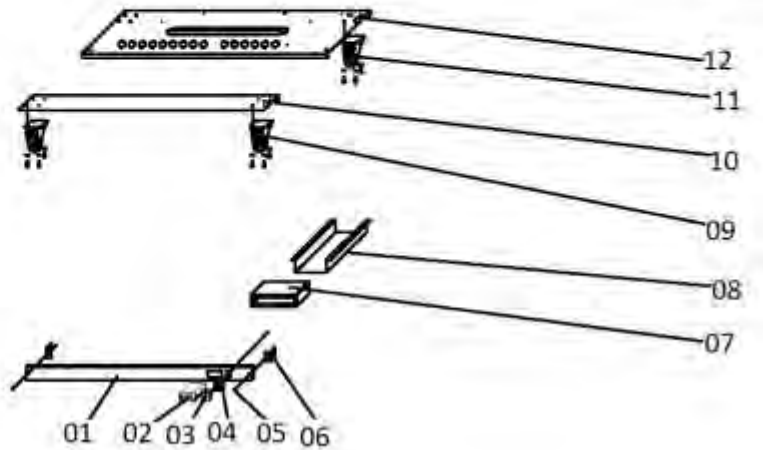
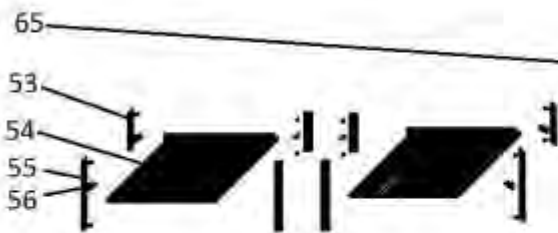
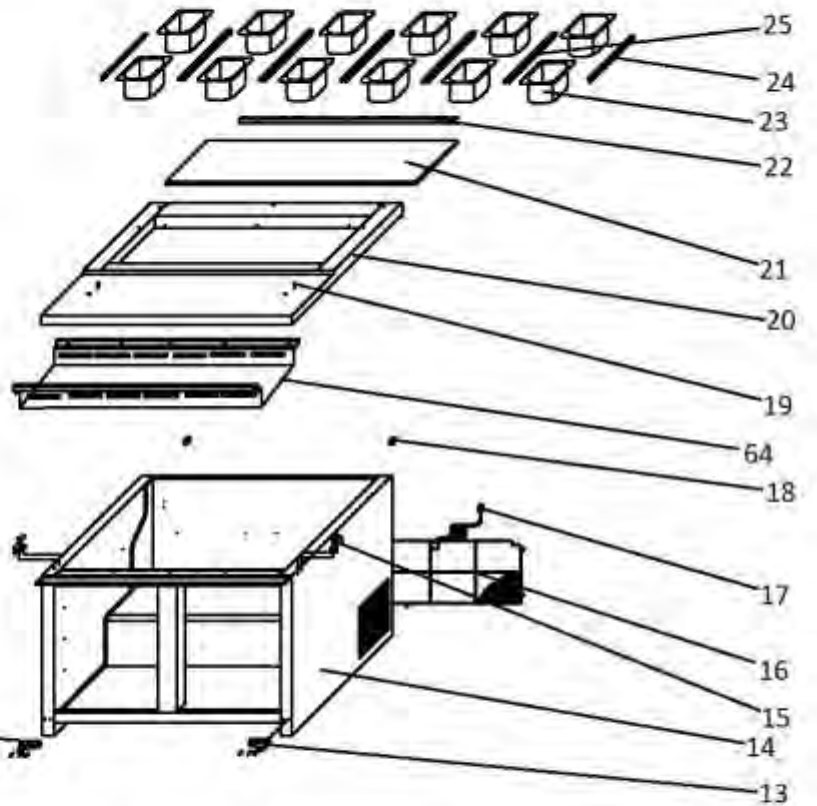
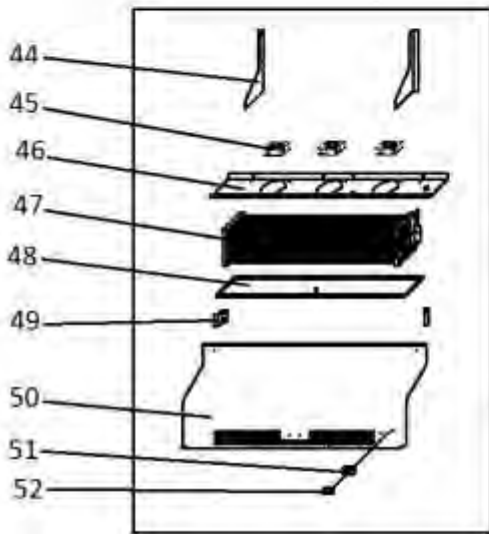
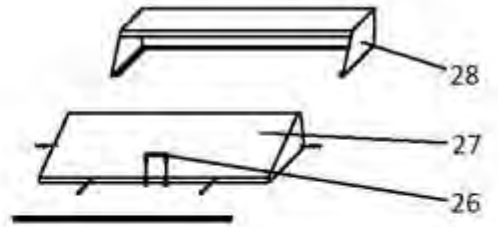
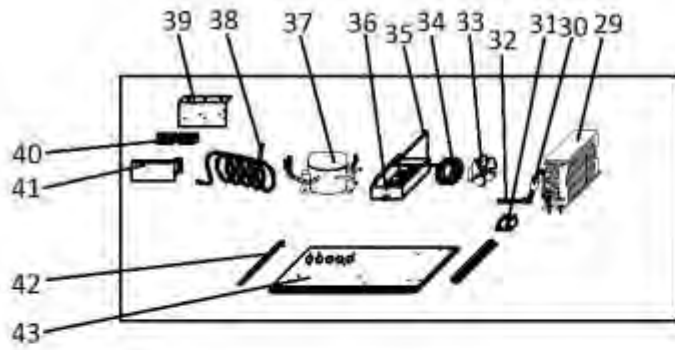
MODEL S29-MT MEGA TOP – PREP UNIT



MODEL S29-MT PREP UNIT

REF#	PART #	DESCRIPTION	QTY
1	H00363	LOWER FRONT PANEL	1
2	H00205	TEMPERATURE SENSOR	2
2	H00219	THERMOSTAT	1
3	C2194691	SWITCH, POWER ON/OFF 20A/125V	1
4	N/A	SWITCH SHIELD	1
5	S900.03	PLASTIC CAP	2
6	N/A	FIXED CLIP OF FRONT PANEL	2
7	N/A	THERMOSTAT PROTECTIVE BOX	1
8	N/A	CABLE COVER	1
9	H01316	CASTER 2.5" DIAMETER WHEEL, WITH BRAKE	2
10	N/A	FRONT SUPPORT OF UNIT BOARD	1
11	H01317	CASTER 2.5" DIAMETER WHEEL, WITH OUT BRAKE	2
12	N/A	BACK SUPPORT OF UNIT BOARD	1
13	C02327RB	DOOR HINGE/RIGHT	1
14	N/A	BODY	1
15	N/A	TOP CLIP	1
16	H01313	REAR MACHINE COMPARTMENT COVER, 29	1
17	C2194684	POWER CORD, 14AWG/5-15P	1
18	H02315	REAR WALL SPACER	2
19	H00382	CUTTING BOARD MOUNTING BRACKET	2
20	H02243	CUTTING BOARD, S29-MT	1
21	N/A	TOP	1
22	H03377	PAN SUPPORT RAIL, FRONT OR BACK	2
23	H01242	FOOD PAN, 1/6 SIZE X 4"	12
24	H02378	PAN SUPPORT /LEFT OR RIGHT	2
25	H02377	PAN SUPPORT	3
26	H00376	HANDLE OF COVER	1
27	H01371	LID, S29-MT	1
28	H01368	HOOD, S29-MT	1
29	H01347	CONDENSER COIL	1
30	H00341	FILTER DRIER	1
31	N/A	DRIER SUPPORT	1
32	H01301	CAPILLARY TUBE .039" ID X 118.1" L	1
33	H00120	MOTOR, CONDENSER FAN	1
34	H00123	FAN GUARD, CONDENSER, BLACK	1
35	N/A	EVAPORATE PIPE	1
36	C30004	CONDENSER DRAIN BOX (PREP UNITS)	1
37	H00020F	COMPRESSOR KIT, FFI8.5HAX 115V + FILTER DRYER	1
37	H01220	Hard start kit for FFI8.5HAK	1
38	N/A	SUCTION PIPE	1
39	N/A	CONNECTOR SUPPORT	1
40	H00215	TERMINAL BLOCK, 5 POLE	1
41	N/A	CONNECTOR COVER	1
42	N/A	UNIT BOARD	1
43	N/A	AIR FLOW CONDUCT BOARD	2
44	H01110	EVAPORATOR FAN MOTOR (6W)	3
45	H01131	EVAPORATOR FAN MOTOR SUPPORT S29	1
46	H01349	EVAPORATOR COIL	1
47	G30001	DRAIN PIPE (A) MALE	1
47	G30002	DRAIN PIPE (B) FEMALE	1
48	N/A	FIXED SUPPORT OF EVAPORATOR COVER	2
49	H01151	EVAPORATOR COVER	1
50	N/A	PROBE PADDING	1
51	H00335	SENSOR CLIP	1
52	H01342	SHORT PILASTER	4
53	H01307	SHELF 17" X 26.2"	2
53	H01307-C	SHELF 17" X 26.2" W/4 CLIPS	2
54	H01342	LONG PILASTER	4
55	C3234860	PILASTER, CLIP	8
56	C02327	HINGE, TOP RIGHT, PREP UNIT	1
58	H00327B	HINGE BUSHING	2
59	H01325	GASKET, FULL DOOR, 25 1/2" LONG X 26 11/16" WIDE	1
60	H01322A	DOOR	1
61	H00328	HINGE CARTRIDGE, SELF CLOSING	2
62	H01252	CONDIMENT PAN, S29-MT	1

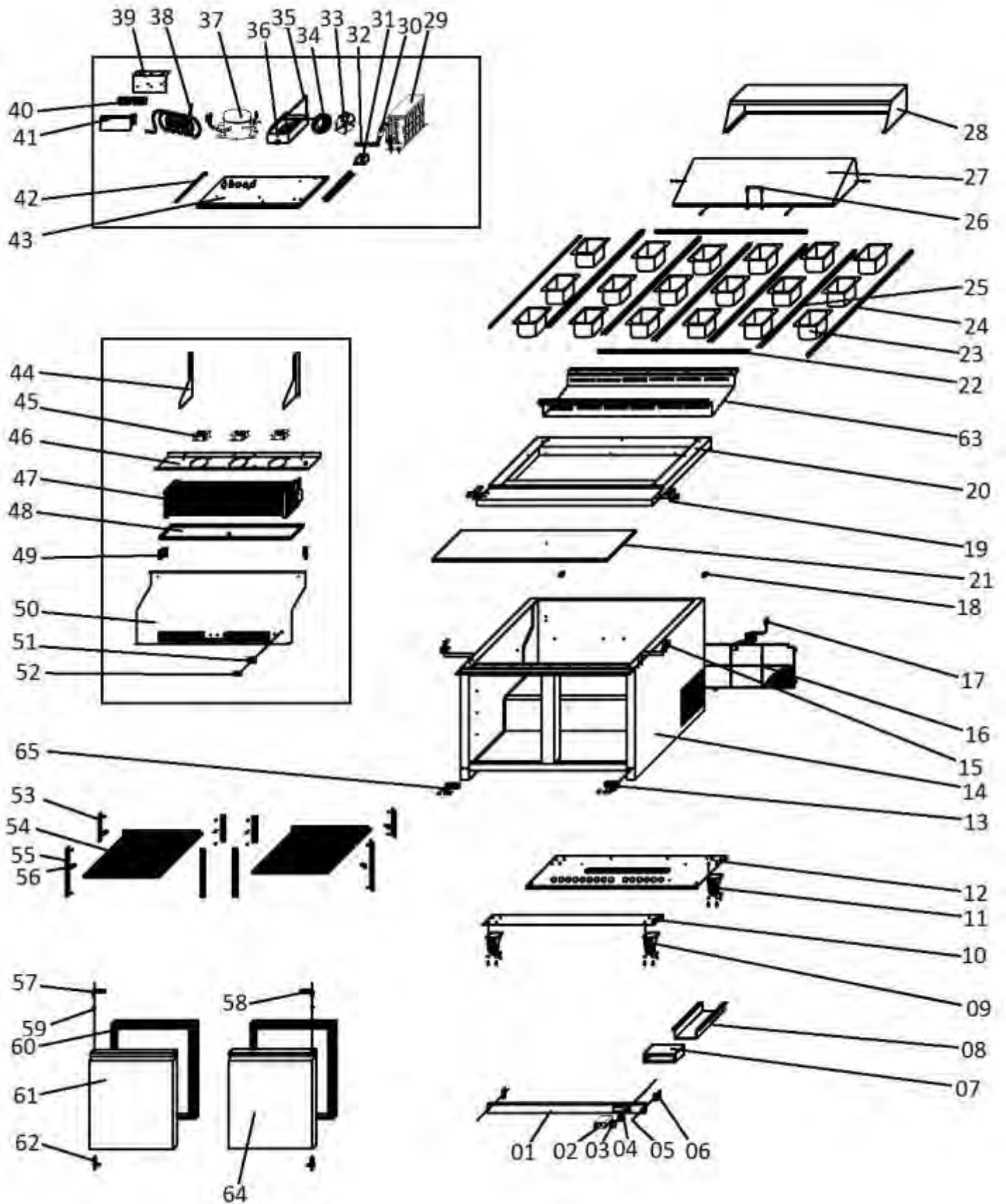
MODEL S48 – PREP UNIT



MODEL S48 - PREP UNIT

REF#	PART #	DESCRIPTION	QTY
1	H00365	LOWER FRONT PANEL 48"	1
2	H00205	TEMPERATURE SENSOR	2
2	H00219	THERMOSTAT	1
3	C2194691	SWITCH, POWER ON/OFF 20A/125V	1
4	N/A	SWITCH SHIELD	1
5	S900.03	PLASTIC CAP	2
6	N/A	FIXED CLIP OF FRONT PANEL	2
7	N/A	THERMOSTAT PROTECTIVE BOX	1
8	N/A	CABLE COVER	1
9	H01316	CASTER 2.5" DIAMETER WHEEL, WITH BRAKE	2
10	N/A	FRONT SUPPORT OF UNIT BOARD	1
11	H01317	CASTER 2.5" DIAMETER WHEEL, WITH OUT BRAKE	2
12	N/A	BACK SUPPORT OF UNIT BOARD	1
13	C01327LB	HINGE, LOWER LEFT, PREP UNIT	1
14	N/A	BODY	1
15	N/A	TOP CLIP	2
16	H01315	REAR MACHINE COMPARTMENT COVER, 48	1
17	C2194684	POWER CORD, 14AWG/5-15P	1
18	H02315	REAR WALL SPACER	2
19	N/A	FIXED PIN OF CUTTING BOARD	2
20	N/A	TOP	1
21	H01244	CUTTING BOARD, S48	1
22	H04377	PAN SUPPORT /FRONT OR BACK	2
23	H01242	FOOD PAN, 1/6 SIZE X 4"	12
24	H00378	PAN SUPPORT /LEFT OR RIGHT	2
25	H00377	PAN SUPPORT	5
26	H00376	HANDLE OF COVER	1
27	H00372	LID, S48	1
28	H00369	HOOD, S48	1
29	H01347	CONDENSER COIL	1
30	H00341	FILTER DRIER	1
31	N/A	DRIER SUPPORT	1
32	H00303	CAPILLARY TUBE .055" ID X 118.1" L	1
33	H00120	MOTOR, CONDENSER FAN	1
34	H00123	FAN GUARD, CONDENSER, BLACK	1
35	N/A	EVAPORATE PIPE	1
36	C30004	CONDENSER DRAIN BOX (PREP UNITS)	1
37	H00019F	COMPRESSOR KIT, FFU130HAK + FILTER DRYER	1
37	H00225	HARD START KIT, FOR COMPRESSOR FFU130HAK	1
38	N/A	SUCTION PIPE	1
39	N/A	CONNECTOR SUPPORT	1
40	H00215	TERMINAL BLOCK, 5 POLE	1
41	N/A	CONNECTOR COVER	1
42	N/A	GUIDE OF UNIT BOARD/LEFT	1
42	N/A	GUIDE OF UNIT BOARD/RIGHT	1
43	N/A	UNIT BOARD	1
44	N/A	AIR FLOW CONDUCT BOARD	2
45	H01110	EVAPORATOR FAN MOTOR (6W)	3
46	H01132	EVAPORATOR FAN MOTOR SUPPORT S48	1
47	H01350	EVAPORATOR COIL	1
48	H01143	EVAPORATOR DRAIN PAN	1
49	N/A	FIXED SUPPORT OF EVAPORATOR COVER	2
50	H01152	EVAPORATOR COVER	1
51	N/A	PROBE PADDING	1
52	H00335	SENSOR CLIP	1
53	H01342	SHORT PILASTER	4
54	H01309	SHELF LEFT/RIGHT 17" X 21.2"	2
54	H01309-C	SHELF LEFT/RIGHT 17" X 21.2" W/4 CLIPS	**
55	H01342	LONG PILASTER	4
56	C3234860	PILASTER, CLIP	8
57	H01327	HINGE, TOP LEFT, PREP UNITS	1
58	C02327	HINGE, TOP RIGHT, PREP UNIT	1
59	H00327B	HINGE BUSHING	2
60	H02325	GASKET, FULL DOOR, 25 1/2" LONG X 21 7/8" WIDE	2
61	H01324R	DOOR /RIGHT	1
61	H01324L	DOOR/LEFT	1
62	H00328	HINGE CARTRIDGE, SELF CLOSING	2

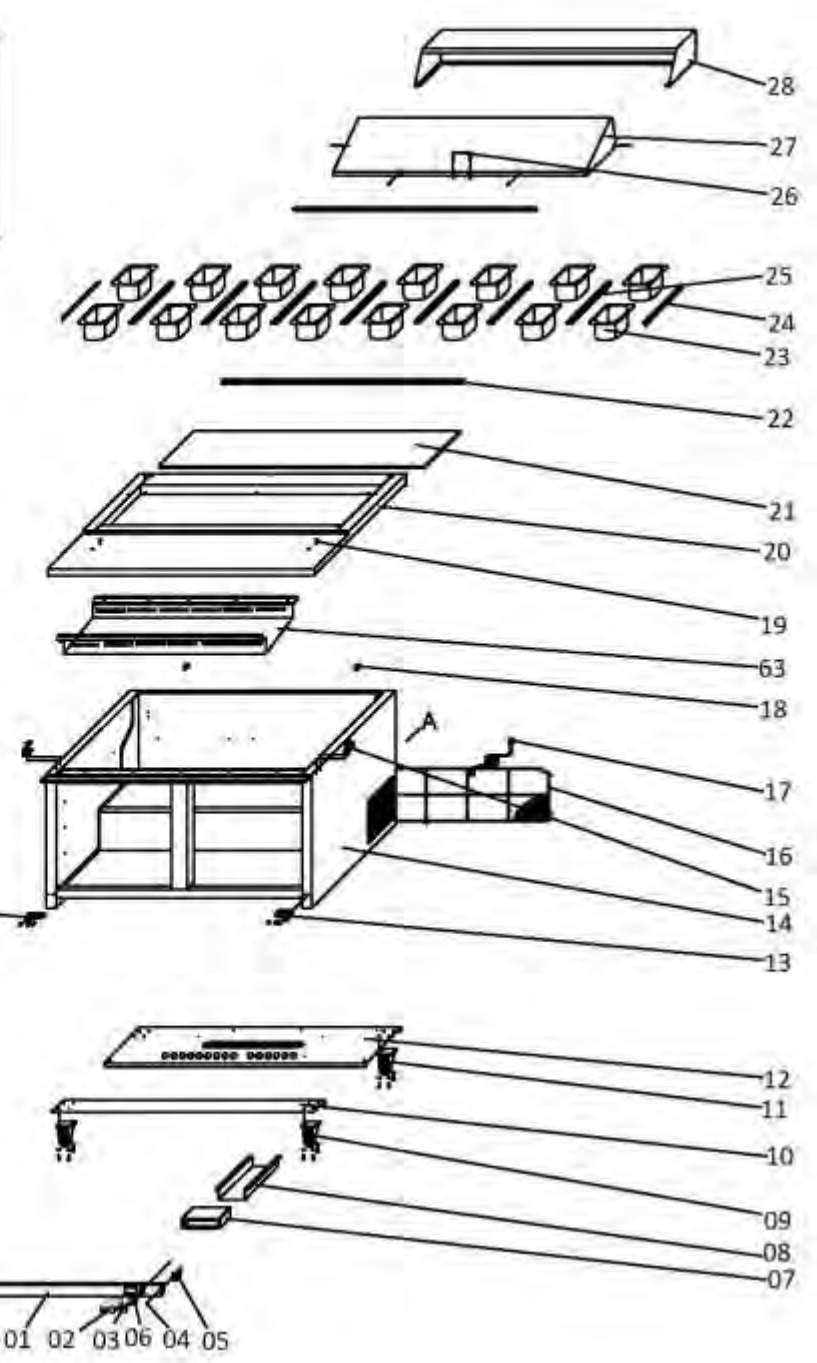
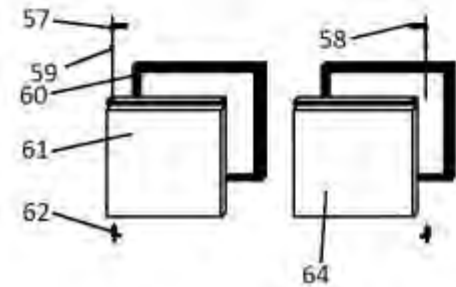
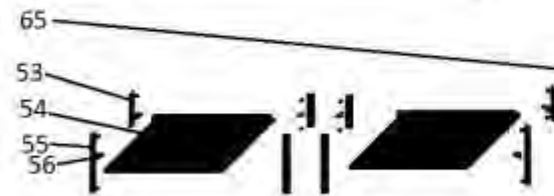
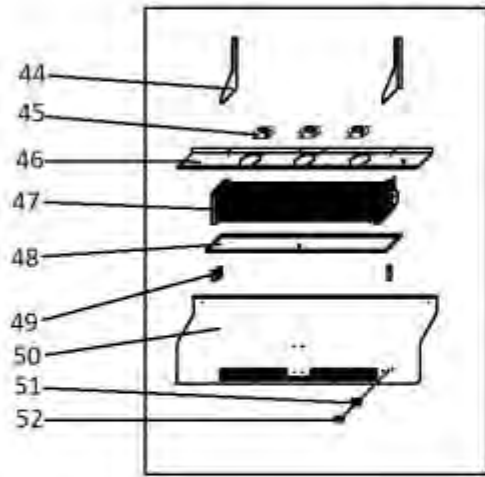
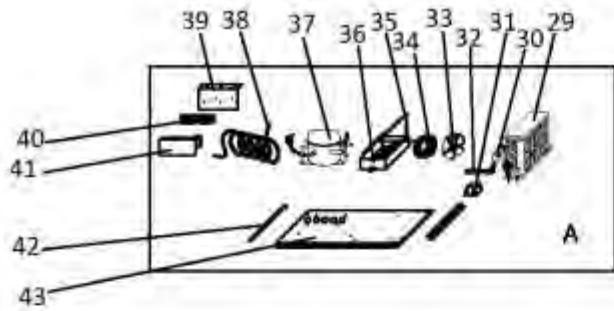
MODEL S48-MT – MEGA TOP PREP UNIT



MODEL S48-MT PREP UNIT

REF#	PART #	DESCRIPTION	QTY
1	H00365	LOWER FRONT PANEL 48"	1
2	H00205	TEMPERATURE SENSOR	2
2	H00219	THERMOSTAT	1
3	C2194691	SWITCH, POWER ON/OFF 20A/125V	1
4	N/A	SWITCH SHIELD	1
5	S900.03	PLASTIC CAP	2
6	N/A	FIXED CLIP OF FRONT PANEL	2
7	N/A	THERMOSTAT PROTECTIVE BOX	1
8	N/A	CABLE COVER	1
9	H01316	CASTER 2.5" DIAMETER WHEEL, WITH BRAKE	2
10	N/A	FRONT SUPPORT OF UNIT BOARD	1
11	H01317	CASTER 2.5" DIAMETER WHEEL, WITH OUT BRAKE	2
12	N/A	BACK SUPPORT OF UNIT BOARD	1
13	H00328	HINGE CARTRIDGE, SELF CLOSING	2
14	N/A	BODY	1
15	N/A	TOP CLIP	2
16	H01315	REAR MACHINE COMPARTMENT COVER, 48	1
17	C2194684	POWER CORD, 14AWG/5-15P	1
18	H02315	REAR WALL SPACER	2
19	H00382	CUTTING BOARD MOUNTING BRACKET	2
20	N/A	TOP	1
21	H02244	CUTTING BOARD, S48-MT	1
22	H04377	PAN SUPPORT /FRONT OR BACK	2
23	H01242	FOOD PAN, 1/6 SIZE X 4"	12
24	H02378	PAN SUPPORT /LEFT OR RIGHT	2
25	H02377	PAN SUPPORT	5
26	H00376	HANDLE OF COVER	1
27	H01372	LID, S48-MT	1
28	H01369	HOOD, S48-MT	1
29	H01347	CONDENSER COIL	1
30	H00341	FILTER DRIER	1
31	N/A	DRIER SUPPORT	1
32	H00303	CAPILLARY TUBE .055" ID X 118.1" L	1
33	H00120	MOTOR, CONDENSER FAN	1
34	H00123	FAN GUARD, CONDENSER, BLACK	1
35	N/A	EVAPORATE PIPE	1
36	C30004	CONDENSER DRAIN BOX (PREP UNITS)	1
37	H00019F	COMPRESSOR KIT, FFU130HAK + FILTER DRYER	1
37	H00225	HARD START KIT, FOR COMPRESSOR FFU130HAK	1
38	N/A	SUCTION PIPE	1
39	N/A	CONNECTOR SUPPORT	1
40	H00215	TERMINAL BLOCK, 5 POLE	1
41	N/A	CONNECTOR COVER	1
42	N/A	GUIDE OF UNIT BOARD	2
43	N/A	UNIT BOARD	1
44	N/A	AIR FLOW CONDUCT BOARD	2
45	H01110	EVAPORATOR FAN MOTOR (6W)	3
46	H01132	EVAPORATOR FAN MOTOR SUPPORT S48	1
47	H01350	EVAPORATOR COIL	1
48	H01143	EVAPORATOR DRAIN PAN	1
49	N/A	FIXED SUPPORT OF EVAPORATOR COVER	2
50	H01152	EVAPORATOR COVER	1
51	N/A	PROBE PADDING	1
52	H00335	SENSOR CLIP	1
53	H01342	SHORT PILASTER	4
54	H01309	SHELF LEFT/RIGHT 17" X 21.2"	2
54	H01309-C	SHELF LEFT/RIGHT 17" X 21.2" W/4 CLIPS	2
55	H01342	LONG PILASTER	4
56	C3234860	PILASTER, CLIP	8
57	H01327	HINGE, TOP LEFT, PREP UNITS	1
58	C02327	HINGE, TOP RIGHT, PREP UNIT	1
59	H00327B	HINGE BUSHING	2
60	H02325	GASKET, FULL DOOR, 25 1/2" LONG X 21 7/8" WIDE	2
61	H01324R	DOOR /RIGHT	1
61	H01324L	DOOR/LEFT	1
62	H00328	HINGE CARTRIDGE, SELF CLOSING	2
63	H01256	CONDIMENT PAN, S48-MT	1

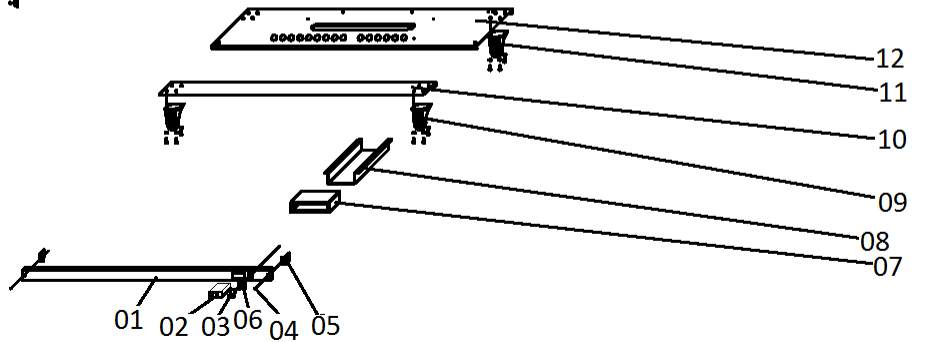
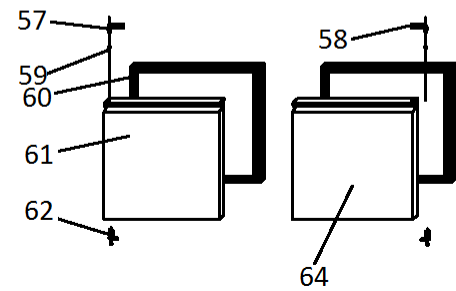
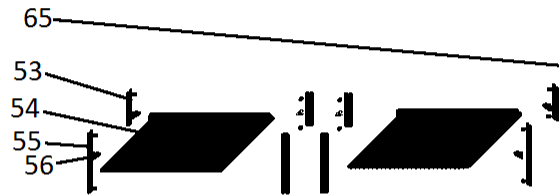
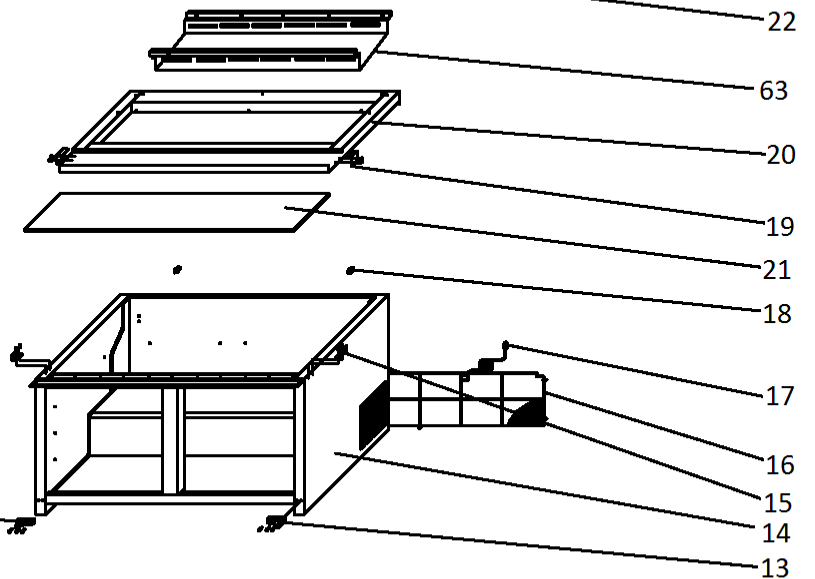
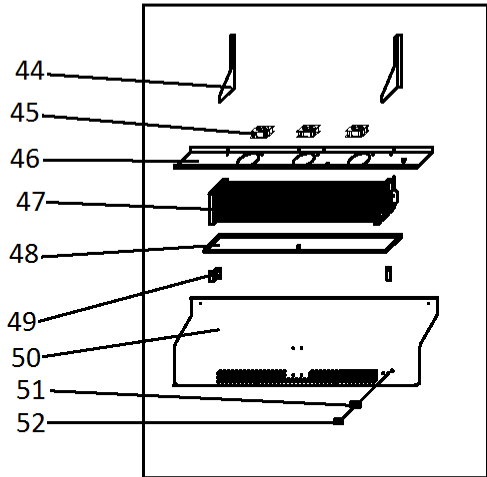
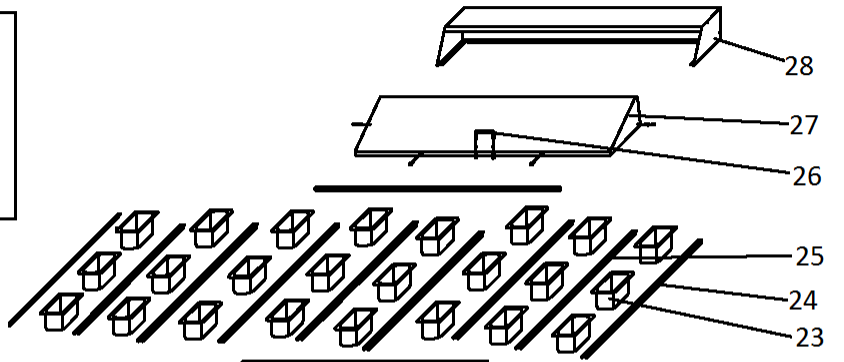
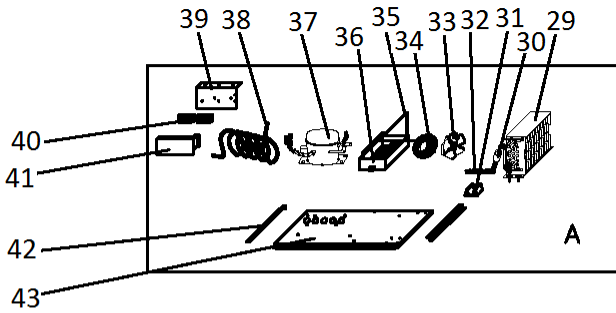
MODEL S61 – PREP UNIT



MODEL S61 - PREP UNIT

REF#	PART #	DESCRIPTION	QTY
1	H00366	LOWER FRONT PANEL 60"	1
2	H00205	TEMPERATURE SENSOR	2
2	H00219	THERMOSTAT	1
3	C2194691	SWITCH, POWER ON/OFF 20A/125V	1
4	S900.03	PLASTIC CAP	2
5	N/A	FIXED CLIP OF FRONT PANEL	2
6	N/A	SWITCH SHIELD	1
7	N/A	THERMOSTAT PROTECTIVE BOX	1
8	N/A	CABLE COVER	1
9	H01316	CASTER 2.5" DIAMETER WHEEL, WITH BRAKE	2
10	N/A	FRONT SUPPORT OF UNIT BOARD	1
11	H01317	CASTER 2.5" DIAMETER WHEEL, WITH OUT BRAKE	2
12	N/A	BACK SUPPORT OF UNIT BOARD	1
13	C02327RB	DOOR HINGE/RIGHT	2
14	N/A	BODY	1
15	N/A	TOP CLIP	2
16	H02313	REAR MACHINE COMPARTMENT COVER 61	1
17	C2194684	POWER CORD, 14AWG/5-15P	1
18	H02315	REAR WALL SPACER	2
19	N/A	FIXED PIN OF CUTTING BOARD	2
20	N/A	TOP	1
21	H01245	CUTTING BOARD, S61	1
22	H05377	PAN SUPPORT / FRONT OR BACK	2
23	H01242	FOOD PAN, 1/6 SIZE X 4"	16
24	H00378	PAN SUPPORT /LEFT OR RIGHT	2
25	H00377	PAN SUPPORT	7
26	H00376	HANDLE OF COVER	1
27	H00373	LID, S61	1
28	H00370	HOOD, S61	1
29	H01347	CONDENSER COIL	1
30	H00341	FILTER DRIER	1
31	N/A	DRIER SUPPORT	1
32	H00303	CAPILLARY TUBE .055" ID X 118.1" L	1
33	H00120	MOTOR, CONDENSER FAN	1
34	H00123	FAN GUARD, CONDENSER, BLACK	1
35	N/A	EVAPORATE PIPE	1
36	C30004	CONDENSER DRAIN BOX (PREP UNITS)	1
37	H00019F	COMPRESSOR KIT, FFU130HAK + FILTER DRYER	1
37	H00225	HARD START KIT, FOR COMPRESSOR FFU130HAK	1
38	N/A	SUCTION PIPE	1
39	N/A	CONNECTOR SUPPORT	1
40	H00215	TERMINAL BLOCK, 5 POLE	1
41	N/A	CONNECTOR COVER	1
42	N/A	GUIDE OF UNIT BOARD/LEFT	1
42	N/A	GUIDE OF UNIT BOARD/RIGHT	1
43	N/A	UNIT BOARD	1
44	N/A	AIR FLOW CONDUCT BOARD	2
45	H01110	EVAPORATOR FAN MOTOR (6W)	3
46	H01133	EVAPORATOR FAN MOTOR SUPPORT S60	1
47	H01351	EVAPORATOR COIL	1
48	H01144	EVAPORATOR DRAINPAN	1
49	N/A	FIXED SUPPORT OF EVAPORATOR COVER	2
50	H01153	EVAPORATOR COVER	1
51	N/A	PROBE PADDING	1
52	H00335	SENSOR CLIP	1
53	H01342	SHORT PILASTER	4
54	H01310	SHELF 17" X 27.7"	2
54	H01310-C	SHELF 17" X 27.7" W/4 CLIPS	**
55	H01342	LONG PILASTER	4
56	C3234860	PILASTER, CLIP	8
57	H01327	HINGE, TOP LEFT, PREP UNITS	1
58	C02327	HINGE, TOP RIGHT, PREP UNIT	1
59	H00327B	HINGE BUSHING	2
60	H01326	GASKET, FULL DOOR, 25 1/2" LONG X 28 11/32" WIDE	2
61	H02323L	DOOR LEFT	1
61	H02323R	DOOR RIGHT	1
62	H00328	HINGE CARTRIDGE, SELF CLOSING	2

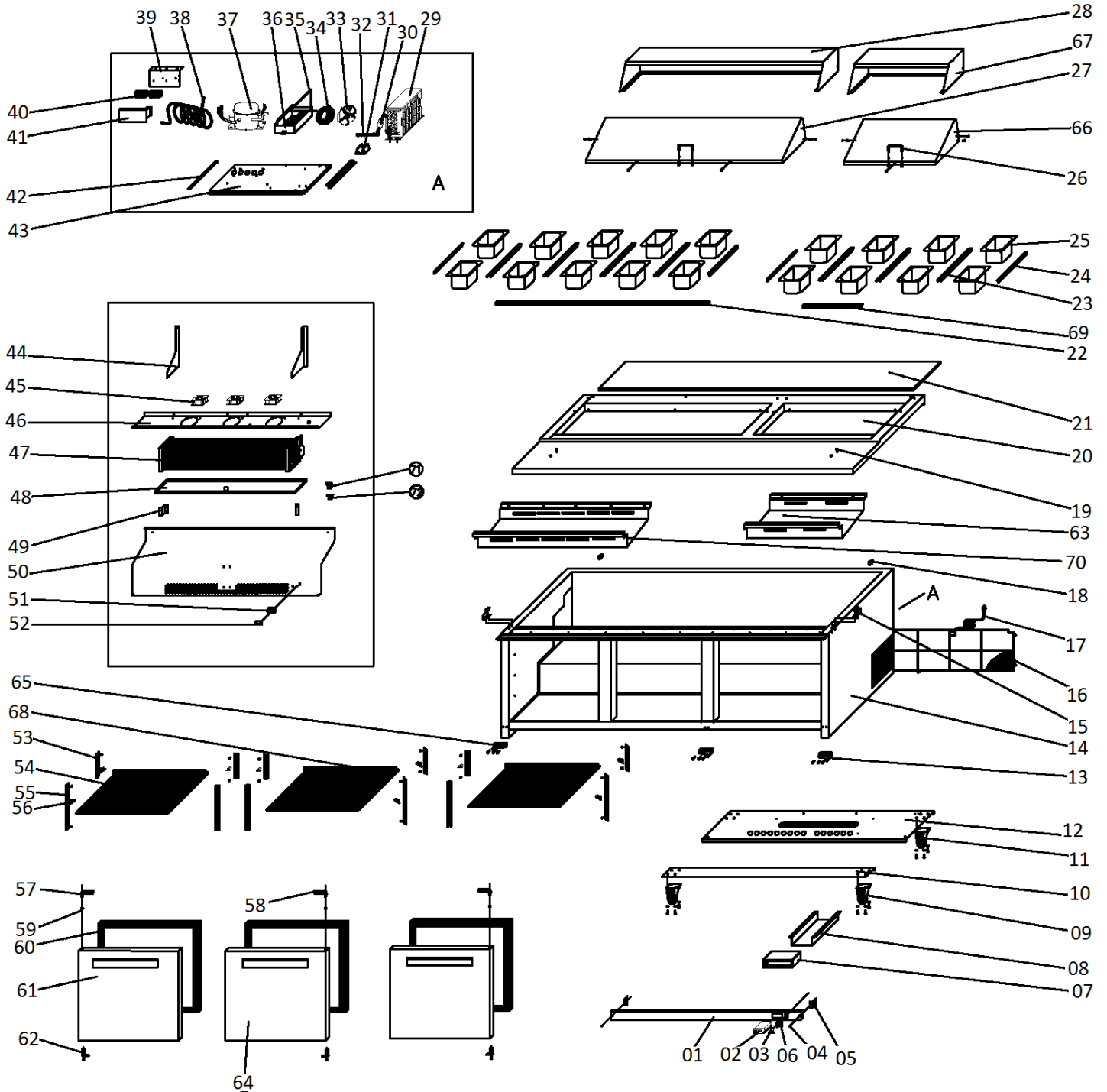
MODEL S61-MT MEGA TOP PREP UNIT



MODEL S61-MT PREP UNIT

REF#	PART #	DESCRIPTION	QTY
1	H00366	LOWER FRONT PANEL 60"	1
2	H00205	TEMPERATURE SENSOR	2
2	H00219	THERMOSTAT	1
3	C2194691	SWITCH, POWER ON/OFF 20A/125V	1
4	S900.03	PLASTIC CAP	2
5	N/A	FIXED CLIP OF FRONT PANEL	2
6	N/A	SWITCH SHIELD	1
7	N/A	THERMOSTAT PROTECTIVE BOX	1
8	N/A	CABLE COVER	1
9	H01316	CASTER 2.5" DIAMETER WHEEL, WITH BRAKE	2
10	N/A	FRONT SUPPORT OF UNIT BOARD	1
11	H01317	CASTER 2.5" DIAMETER WHEEL, WITH OUT BRAKE	2
12	N/A	BACK SUPPORT OF UNIT BOARD	1
13	C02327RB	DOOR HINGE/RIGHT	1
14	N/A	BODY	1
15	N/A	TOP CLIP	2
16	H02313	REAR MACHINE COMPARTMENT COVER 61	1
17	C2194684	POWER CORD, 14AWG/5-15P	1
18	H02315	REAR WALL SPACER	2
19	H00382	CUTTING BOARD MOUNTING BRACKET	2
20	N/A	TOP	1
21	H02245	CUTTING BOARD, S61-MT	1
22	H05377	PAN SUPPORT / FRONT OR BACK	2
23	H01242	FOOD PAN, 1/6 SIZE X 4"	24
24	H02378	PAN SUPPORT /LEFT OR RIGHT	2
25	H02377	PAN SUPPORT	7
26	H00376	HANDLE OF COVER	1
27	H01373	LID, S61-MT	1
28	H01370	HOOD, S61-MT	1
29	H01347	CONDENSER COIL	1
30	H00341	FILTER DRIER	1
31	N/A	DRIER SUPPORT	1
32	H00303	CAPILLARY TUBE .055" ID X 118.1" L	1
33	H00120	MOTOR, CONDENSER FAN	1
34	H00123	FAN GUARD, CONDENSER, BLACK	1
35	N/A	EVAPORATE PIPE	1
36	C30004	CONDENSER DRAIN BOX (PREP UNITS)	1
37	H00019F	COMPRESSOR KIT, FFU130HAK + FILTER DRYER	1
37	H00225	HARD START KIT, FOR COMPRESSOR FFU130HAK	1
38	N/A	SUCTION PIPE	1
39	N/A	CONNECTOR SUPPORT	1
40	H00215	TERMINAL BLOCK, 5 POLE	1
41	N/A	CONNECTOR COVER	1
42	N/A	GUIDE OF UNIT BOARD/LEFT	1
42	N/A	GUIDE OF UNIT BOARD/RIGHT	1
43	N/A	UNIT BOARD	1
44	N/A	AIR FLOW CONDUCT BOARD	2
45	H01110	EVAPORATOR FAN MOTOR (6W)	3
46	H01133	EVAPORATOR FAN MOTOR SUPPORT S60	1
47	H01351	EVAPORATOR COIL	1
48	H01144	EVAPORATOR DRAINPAN	1
49	N/A	FIXED SUPPORT OF EVAPORATOR COVER	2
50	H01153	EVAPORATOR COVER	1
51	N/A	PROBE PADDING	1
52	H00335	SENSOR CLIP	1
53	H01342	SHORT PILASTER	4
54	H01310	SHELF 17" X 27.7"	2
54	H01310-C	SHELF 17" X 27.7" W/4 CLIPS	**
55	H01342	LONG PILASTER	4
56	C3234860	PILASTER, CLIP	8
57	H01327	HINGE, TOP LEFT, PREP UNITS	1
58	C02327	HINGE, TOP RIGHT, PREP UNIT	1
59	H00327B	HINGE BUSHING	2
60	H01326	GASKET, FULL DOOR, 25 1/2" LONG X 28 11/32" WIDE	2
61	H02323L	DOOR LEFT	1
61	H02323R	DOOR RIGHT	1
62	H00328	HINGE CARTRIDGE, SELF CLOSING	2
63	H01257	CONDIMENT PAN, S61-MT	1
64	C01327LB	HINGE, LOWER LEFT, PREP UNIT	1

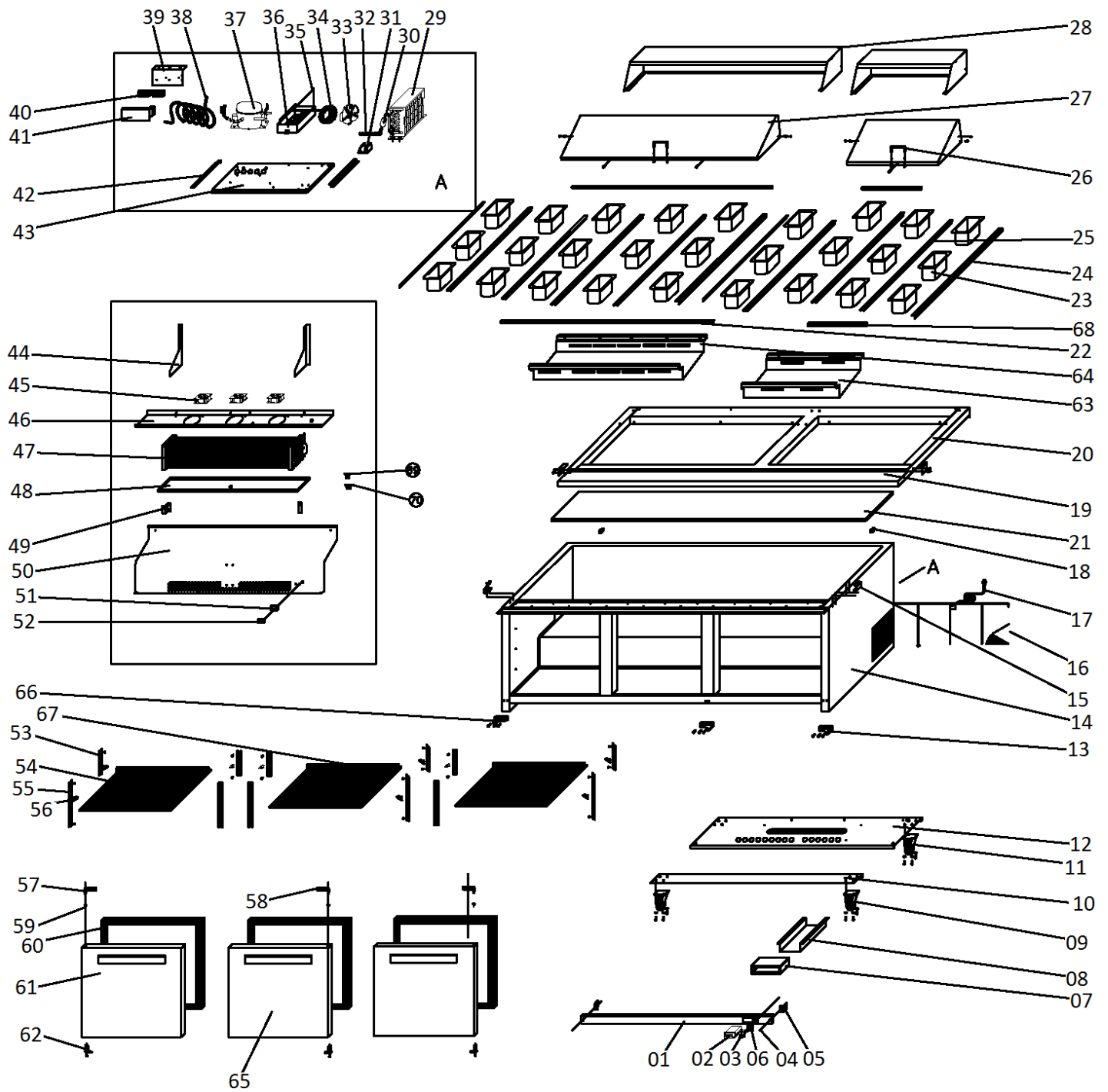
MODEL S72 – PREP UNIT



MODEL S72 - PREP UNIT

REF#	PART #	DESCRIPTION	QTY
1	H00366-72	LOWER FRONT PANEL 72"	1
2	H00205	TEMPERATURE SENSOR	2
2	H00219	THERMOSTAT	1
3	C2194691	SWITCH, POWER ON/OFF 20A/125V	1
4	S900.03	PLASTIC CAP	2
5	N/A	FIXED CLIP OF FRONT PANEL	2
6	N/A	SWITCH SHIELD	1
7	N/A	THERMOSTAT PROTECTIVE BOX	1
8	N/A	CABLE COVER	1
9	H01316	CASTER 2.5" DIAMETER WHEEL, WITH BRAKE	2
10	N/A	FRONT SUPPORT OF UNIT BOARD	1
11	H01317	CASTER 2.5" DIAMETER WHEEL, WITH OUT BRAKE	2
12	N/A	BACK SUPPORT OF UNIT BOARD	1
13	C02327RB	DOWN RIGHT HINGE	2
14	N/A	BODY	1
15	N/A	TOP CLIP	2
16	H02313-72	REAR MACHINE COMPARTMENT COVER 72	1
17	C2194684	POWER CORD, 14AWG/5-15P	1
18	H02315	REAR WALL SPACER	2
19	N/A	FIXED PIN OF CUTTING BOARD	2
20	N/A	TOP	1
21	H01258	CUTTING BOARD, S72	1
22	H02346	PAN SUPPORT /FRONT OR BACK(LEFT SIDE)	2
23	H01242	FOOD PAN, 1/6 SIZE X 4"	16
24	H00378	PAN SUPPORT /LEFT OR RIGHT	4
25	H00377	PAN SUPPORT	8
26	H00376	HANDLE OF COVER	2
27	H00384	LEFT MOVING COVER	1
28	H00385	LEFT FIXED COVER	1
29	H01347	CONDENSER COIL	1
30	H00341	FILTER DRIER	1
31	N/A	DRIER SUPPORT	1
32	H00303	CAPILLARY TUBE .055" ID X 118.1" L	1
33	H00120	MOTOR, CONDENSER FAN	1
34	H00123	FAN GUARD, CONDENSER, BLACK	1
35	N/A	EVAPORATE PIPE	1
36	C30004	CONDENSER DRAIN BOX (PREP UNITS)	1
37	H00019F	COMPRESSOR KIT, FFU130HAK + FILTER DRYER	1
37	H00225	HARD START KIT, FOR COMPRESSOR FFU130HAK	1
38	N/A	SUCTION PIPE	1
39	N/A	CONNECTOR SUPPORT	1
40	H00215	TERMINAL BLOCK, 5 POLE	1
41	N/A	CONNECTOR COVER	1
42	N/A	GUIDE OF UNIT BOARD	2
43	N/A	UNIT BOARD	1
44	N/A	AIR FLOW CONDUCT BOARD	2
45	H01110	EVAPORATOR FAN MOTOR (6W)	3
46	H01139	EVAPORATOR FAN MOTOR SUPPORT	1
47	H01355	EVAPORATOR COIL	1
48	H01357	EVAPORATOR WATER PAN	1
49	N/A	FIXED SUPPORT OF EVAPORATOR COVER	2
50	H01140	EVAPORATOR COVER	1
51	N/A	PROBE PADDING	1
52	H00335	SENSOR CLIP	1
53	H01342	SHORT PILASTER	6
54	H01309	SHELF LEFT/RIGHT 17" X 21.2"	2
54	H01309-C	SHELF LEFT/RIGHT 17" X 21.2" W/4 CLIPS	2
55	H01342	LONG PILASTER	6
56	C3234860	PILASTER, CLIP	12
57	H01327	HINGE, TOP LEFT, PREP UNITS	1
58	C02327	HINGE, TOP RIGHT, PREP UNIT	2
59	H00327B	HINGE BUSHING	3
60	H02325	GASKET, FULL DOOR, 25 1/2" LONG X 21 7/8" WIDE	3
61	H01324L	LEFT DOOR	1
62	H00328	HINGE CARTRIDGE, SELF CLOSING	3
63	H01259	PAN, CONDIMENT, (RIGHT SIDE)	1
64	H01324R	RIGHT DOOR	2
65	C01327LB	HINGE, LOWER LEFT, PREP UNIT	1
66	H01261	LID, RIGHT SIDE S72	1
67	H01262	HOOD, RIGHT SIDE S72	1
68	H01312	MIDDLE SHELF	1
69	H01263	PAN SUPPORT /FRONT OR BACK(RIGHT SIDE)	2
70	H01260	PAN, CONDIMENT, (LEFT SIDE)	1
71	G30001	DRAIN PIPE (A) MALE	1
72	G30002	DRAIN PIPE (B) FEMALE	1

MODEL S72-MT MEGATOP PREP UNIT



MODEL S72-MT PREP UNIT

REF#	PART #	DESCRIPTION	QTY
1	H00366-72	LOWER FRONT PANEL 72"	1
2	H00205	TEMPERATURE SENSOR	2
2	H00219	THERMOSTAT	1
3	C2194691	SWITCH, POWER ON/OFF 20A/125V	1
4	S900.03	PLASTIC CAP	2
5	N/A	FIXED CLIP OF FRONT PANEL	2
6	N/A	SWITCH SHIELD	1
7	N/A	THERMOSTAT PROTECTIVE BOX	1
8	N/A	CABLE COVER	1
9	H01316	CASTER 2.5" DIAMETER WHEEL, WITH BRAKE	2
10	N/A	FRONT SUPPORT OF UNIT BOARD	1
11	H01317	CASTER 2.5" DIAMETER WHEEL, WITH OUT BRAKE	2
12	N/A	BACK SUPPORT OF UNIT BOARD	1
13	C02327RB	RIGHT DOWN HINGE	2
14	N/A	BODY	1
15	N/A	TOP CLIP	2
16	H02313-72	REAR MACHINE COMPARTMENT COVER 72	1
17	C2194684	POWER CORD, 14AWG/5-15P	1
18	H02315	REAR WALL SPACER	2
19	H00382	CUTTING BOARD MOUNTING BRACKET	2
20	N/A	TOP	1
21	H01264	CUTTING BOARD, S72-MT	1
22	H02346	PAN SUPPORT /FRONT OR BACK(LEFT SIDE)	2
23	H01242	FOOD PAN, 1/6 SIZE X 4"	27
24	H02378	PAN SUPPORT /LEFT OR RIGHT	4
25	H02377	PAN SUPPORT	8
26	H00376	HANDLE OF COVER	2
27	H01265	LID, LEFT SIDE S72-MT	1
28	H01266	HOOD, S72-MT	1
29	H01347	CONDENSER COIL	1
30	H00341	FILTER DRIER	1
31	N/A	DRIER SUPPORT	1
32	H00303	CAPILLARY TUBE .055" ID X 118.1" L	1
33	H00120	MOTOR, CONDENSER FAN	1
34	H00123	FAN GUARD, CONDENSER, BLACK	1
35	N/A	EVAPORATE PIPE	1
36	C30004	CONDENSER DRAIN BOX (PREP UNITS)	1
37	H00019F	COMPRESSOR KIT, FFU130HAK + FILTER DRYER	1
37	H00225	HARD START KIT, FOR COMPRESSOR FFU130HAK	1
38	N/A	SUCTION PIPE	1
39	N/A	CONNECTOR SUPPORT	1
40	H00215	TERMINAL BLOCK, 5 POLE	1
41	N/A	CONNECTOR COVER	1
42	N/A	GUIDE OF UNIT BOARD	2
43	N/A	UNIT BOARD	1
44	N/A	AIR FLOW CONDUCT BOARD	2
45	H01110	EVAPORATOR FAN MOTOR (6W)	3
46	H01358	EVAPORATOR FAN MOTOR SUPPORT	1
47	H01355	EVAPORATOR COIL	1
48	H01144	EVAPORATOR DRAINPAN	1
49	N/A	FIXED SUPPORT OF EVAPORATOR COVER	2
50	H03157	EVAPORATOR COVER	1
51	N/A	PROBE PADDING	1
52	H00335	SENSOR CLIP	1
53	H01342	SHORT PILASTER	6
54	H01309	SHELF LEFT/RIGHT 17" X 21.2"	2
54	H01309-C	SHELF LEFT/RIGHT 17" X 21.2" W/4 CLIPS	2
55	H01342	LONG PILASTER	6
56	C3234860	PILASTER, CLIP	12
57	H01327	HINGE, TOP LEFT, PREP UNITS	1
58	C02327	HINGE, TOP RIGHT, PREP UNIT	1
59	H00327B	HINGE BUSHING	3
60	H02325	GASKET, FULL DOOR, 25 1/2" LONG X 21 7/8" WIDE	3
61	H01324L	LEFT DOOR	1
62	H00328	HINGE CARTRIDGE, SELF CLOSING	2
63	H01267	PAN, CONDIMENT, (RIGHT SIDE)	1
64	H01268	PAN, CONDIMENT, (LEFT SIDE)	1
65	H01324R	RIGHT DOOR	2
66	C01327LB	HINGE, LOWER LEFT, PREP UNIT	1
67	H01312	MIDDLE SHELF	1
68	H01263	PAN SUPPORT /FRONT OR BACK(RIGHT SIDE)	2
69	G30001	DRAIN PIPE (A) MALE	1
70	G30002	DRAIN PIPE (B) FEMALE	1



Entrée Service Department Contact info:

John Spock

914 Belair Drive

Berwick PA 18603

1-570-752-4602

Email: john@entree.biz

Website: <http://www.entree.biz>

For non-Warranty Parts please call our Parts Distributor,



WHALEY PARTS & SUPPLY

137 Cedar Road

Lexington SC 29073

1-855-394-8933

7 AM to 8 PM EST

<http://www.whaleyfoodservice.com/>

email: entreeparts@whaleyparts.com