

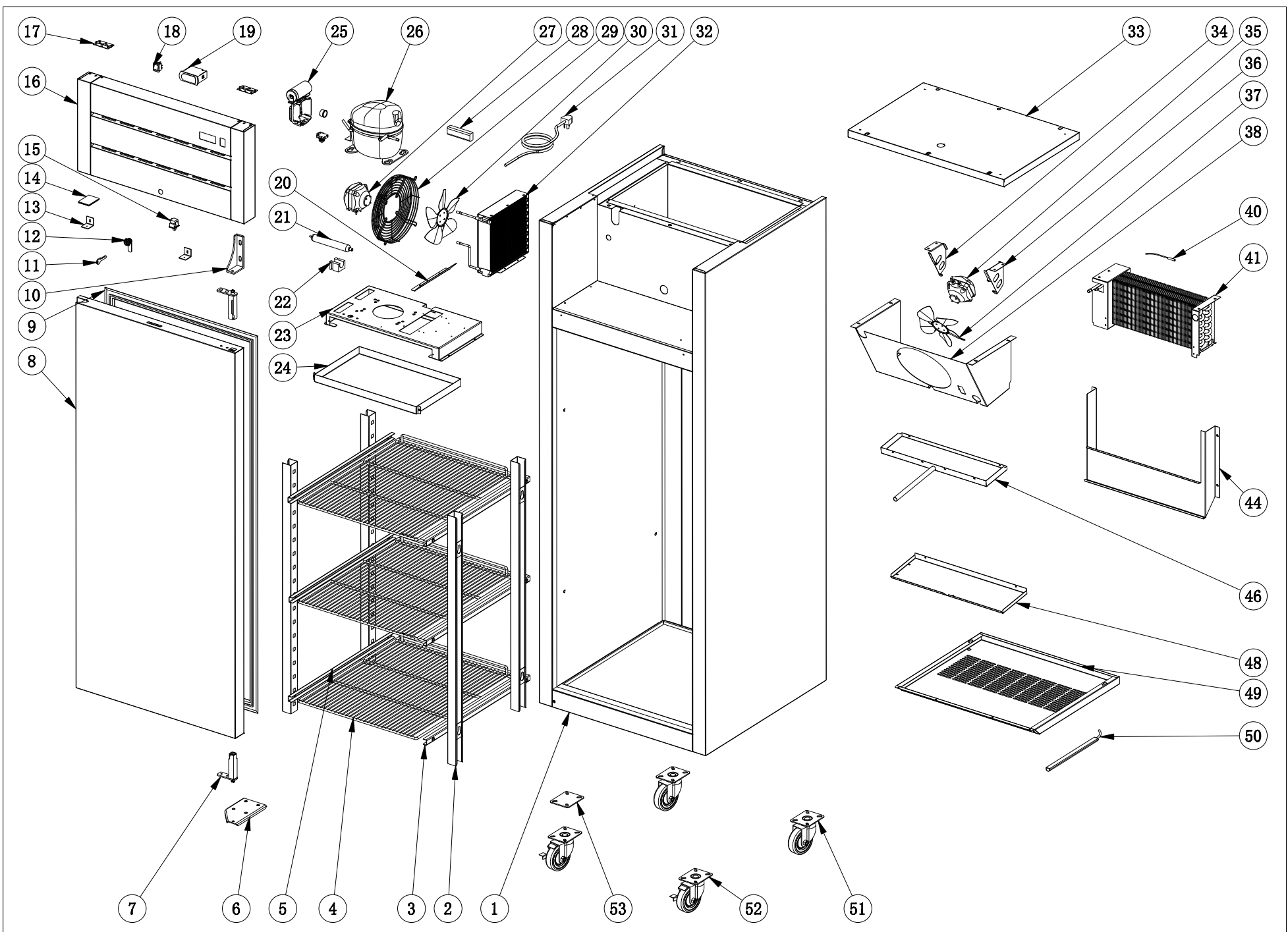


**Solid Door Top Mount Top Mount
Reach-In Models:**

**ERT1X
EFT1X
ERT2X
EFT2X**

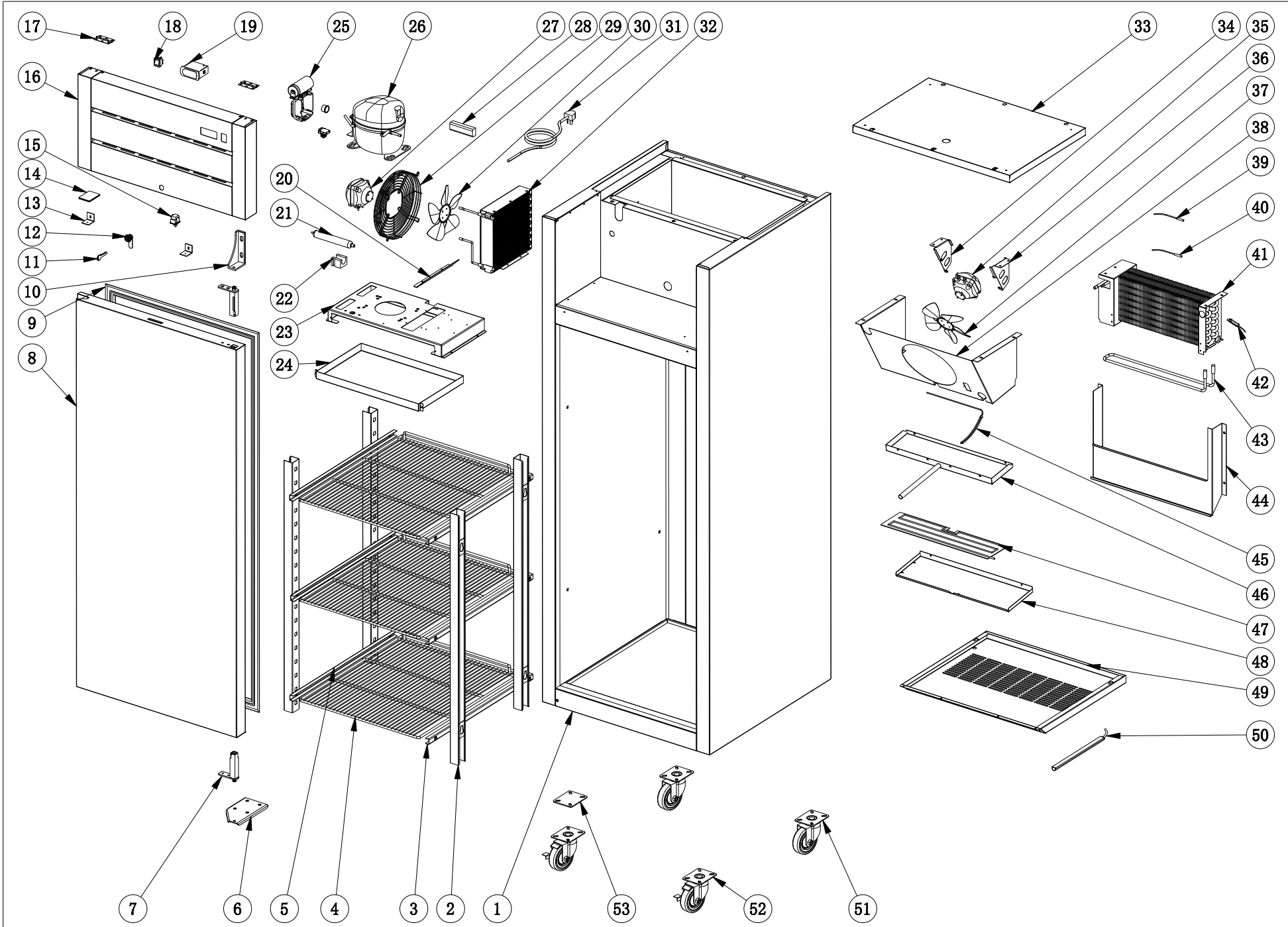


**PHONE: 704-900-2068
Website: www.entree.biz**



Model: ERT1X

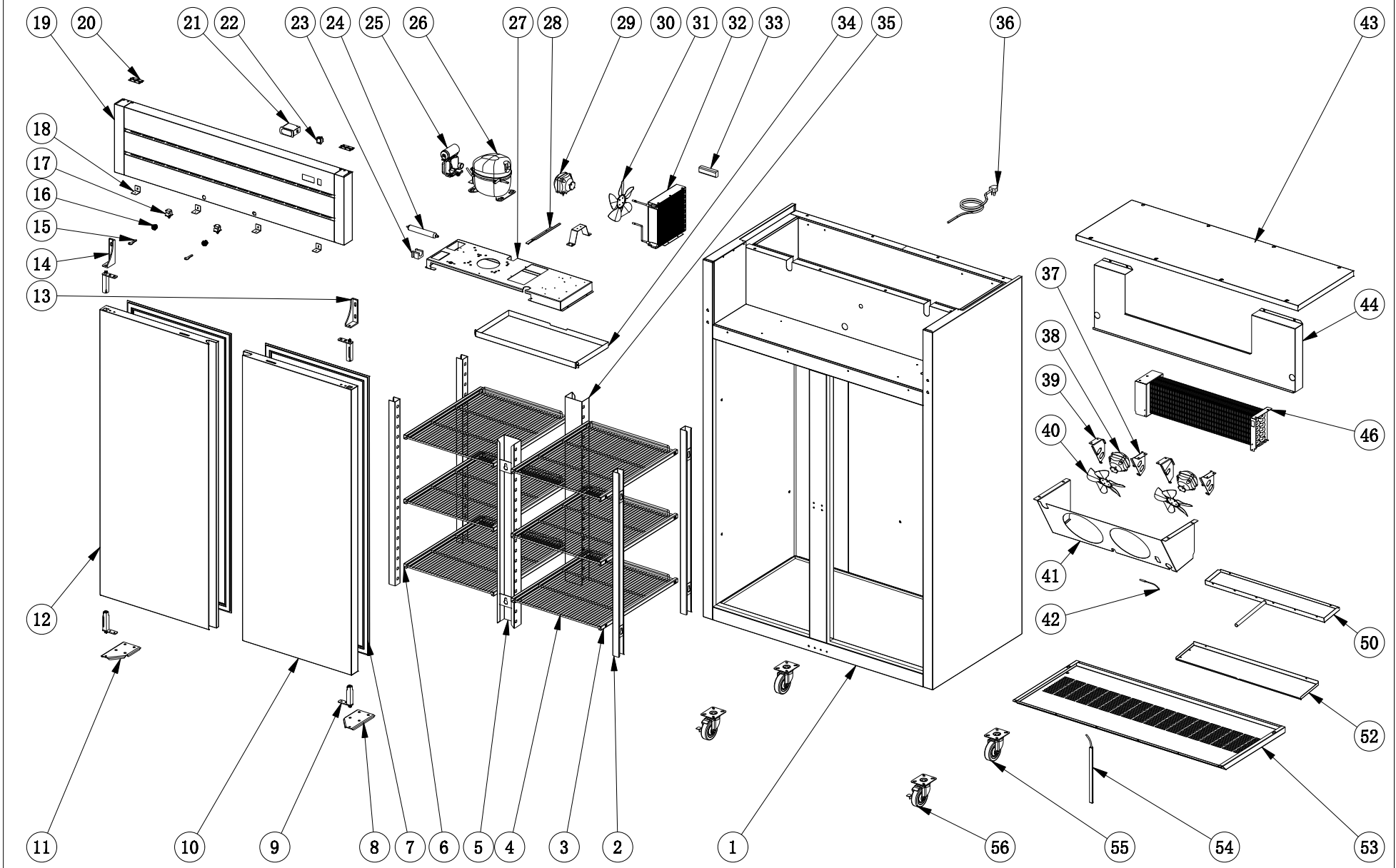
NO.	PART #	DESCRIPTION	QTY	NO.	Entrée #	DESCRIPTION	QTY
1	NONSTOCKING	CABINET	1	24	XRI002144	OUTER DRAIN PAN	1
2	XRI001376	SHELF BRACKETS	4*	25		SEE #26	1
3	XRI001378	RIGHT SHELF TRACK	3	26	X17202100037	COMPRESSOR (DLE4CN/115VAC/R290)	1
4	XRI013304	SHELF (20.86" X 25.2")	3	26	XSTARTKIT01	START KIT FOR DLE4CN	OPT
5	XRI001377	LEFT SHELF TRACK	3	27	XRI000035	FAN MOTOR	1
6	XRI002183	HINGE, BOTTOM RIGHT	1	28	XRI530034	POWER SUPPLY FOR LED LIGHT	1
7	XX-DC0328	DOOR CLOSURE	2	29	XRI010002	CONDENSER FAN GUARD	1*
8	XRI002139	DOOR ASSY. TOP MOUNT	1	30	XEFMB023	EVAPORATOR FAN MOTOR BLADE	1
8	XRI002139K	DOOR ASSY. TOP MOUNT (KINTERA)	1	31	XX-2194684	POWER CORD, NEMA 5-15P 16AWG, 8'	1
8	XRI002139C	DOOR ASSY. TOP MOUNT (CENTAUR)	1	32	XRI000001	CONDENSER COIL	1
9	XRI010745	DOOR GASKET (24.2" X 59.2")	1	33	N/A	UPPER PANEL	1*
10	XX-URH005	HINGE UPPER RIGHT	1	34	XRI002184	EVAPORATOR FAN MOTOR MOUNTING BRACKET - LEFT	1*
11	XX-H00340	LOCK W/2 KEYS	1	35	XRI0083	EVAPORATOR FAN MOTOR	1
12	XX-H00340	LOCK W/2 KEYS	1	36	XRI002185	EVAPORATOR FAN MOTOR MOUNTING BRACKET - RIGHT	1*
13	NONSTOCKING	CONTROL PANEL FIXER	2	37	XEFMB023	EVAPORATOR FAN MOTOR BLADE	1
14	XRI0061	TOP COVER FOR REVERSIBLE DOOR	1	38	N/A	INNER EVAPORATOR COVER	1*
15	X-2194677	DOOR SWITCH	1	40	XX-THT002	EVAPORATOR TEMPERATURE SENSOR NTC (BLACK 60")	1
16	XRI002142	UPPER SHROUD (TOP MOUNT)	1	41	XRI060371	EVAPORATOR COIL (1DRT)	1
16	XRI002142K	UPPER SHROUD (KINTERA)	1	44	N/A	AIR BAFFLE	1*
16	XRI002142C	UPPER SHROUD (CENTAUR)	1	46	XRI002150	INNER DRAIN PAN	1
17	XRI0084	UPPER SHROUD HINGE	2	48	N/A	INNER DRAIN PAN COVER	1*
18	XRI0056	POWER SWITCH	1	49	XRI002152	EVAPORATOR COVER	1*
19	XRI0060	THERMOSTAT (XR03CX-4N0F1/115V)	1	50	XRI410071	LED LIGHT	1
20	N/A	AIR BAFFLE OF OUTER DRAIN PAN	1*	51	XX-SC0319	4" CASTER W/O BRAKE	2
21	XX-H00348	FILTER (D25 X 167-B)	1	52	XX-SCB319	4" CASTER WITH BRAKE	2
22	NONSTOCKING	FILTER BRACKET	1*	53	XRI002188	CASTER MOUNTING BRACKET	1
	X200010	CAP TUBE .039" I.D. X 78.75" L	1			* Non Stocking Item	
23	N/A	COMPRESSOR UNIT INSTALLATION BOARD	1*				



Model: EFT1X

NO.	Part #	DESCRIPTION	QTY
1	NONSTOCKING	CABINET	1
2	XRI001376	SHELF BRACKETS	4*
3	XRI001378	RIGHT SHELF TRACK	3
4	XRI013304	SHELF (20.86" X 25.2")	3
5	XRI001377	LEFT SHELF TRACK	3
6	XRI002183	HINGE, BOTTOM RIGHT	1
7	XX-DC0328	DOOR CLOSURE	2
8	XRI002139	DOOR ASSY. TOP MOUNT	1
8	XRI002139C	DOOR ASSY. TOP MOUNT (CENTAUR)	1
8	XRI002139K	DOOR ASSY. TOP MOUNT (KINTERA)	1
9	XRI010745	DOOR GASKET (24.2" X 59.2")	1
10	XX-URH005	HINGE UPPER RIGHT	1
11	XX-H00340	LOCK W/2 KEYS	1
12	XX-H00340	LOCK W/2 KEYS	1
13	NONSTOCKING	CONTROL PANEL FIXER	2
14	XRI0061	TOP COVER FOR REVERSIBLE DOOR	1
15	X-2194677	DOOR SWITCH	1
16	XRI002142	UPPER SHROUD	1
16	XRI002142K	UPPER SHROUD (KINTERA)	1
16	XRI002142C	UPPER SHROUD (CENTAUR)	1
17	XRI0084	UPPER SHROUD HINGE	2*
18	XRI0056	POWER SWITCH	1
19	XRI0059	THERMOSTAT (DIXELL XR06CX)	1
20	N/A	AIR BAFFLE OF OUTER DRAIN PAN	1*
21	XX-H00348	FILTER DRIER (D25 X 167-B)	1
22	NONSTOCKING	FILTER DRIER BRACKET	1*
	X200009	CAP TUBE .035" I.D. X 78.75" L	1
23	N/A	COMPRESSOR UNIT INSTALLATION BOARD	1*
24	XRI002144	OUTER DRAIN PAN	1
25	SEE #26		1

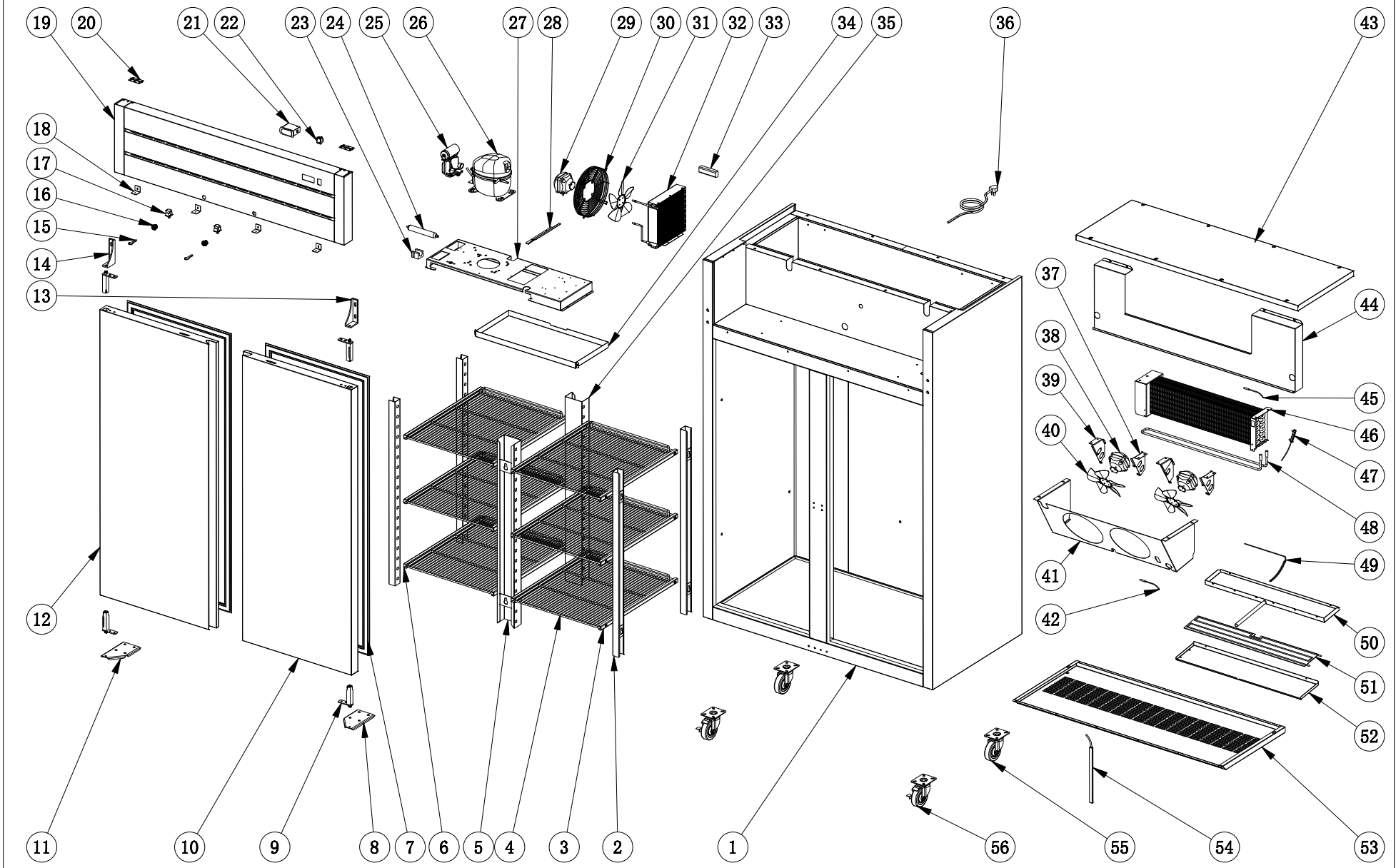
NO.	Part #	DESCRIPTION	QTY
26	XX-HC0007	COMPRESSOR (NLE10CN/115V/60HZ/R290)	1
26	XX-STARTKITHC7	START KIT (NLE10CN/115V/60HZ/R290)	OPT
27	XRI000035	FAN MOTOR	1
28	XRI530034	POWER SUPPLY FOR LED LIGHT	1
29	XRI010002	CONDENSER FAN GUARD	1
30	XEFM023	EVAPORATOR FAN MOTOR BLADE	1
31	XX-2194684	POWER CORD, NEMA 5-15P 16AWG, 8'	1
32	XRI000001	CONDENSER COIL	1
33	N/A	UPPER PANEL	1
34	XRI002184	EVAPORATOR FAN MOTOR MOUNTING BRACKET - LEFT	1*
35	XRI0083	EVAPORATOR FAN MOTOR	1
36	XRI002185	EVAPORATOR FAN MOTOR MOUNTING BRACKET - RIGHT	1*
37	XEFM023	EVAPORATOR FAN MOTOR BLADE	1
38	N/A	INNER EVAPORATOR COVER	1*
39	XRI0036	EVAPORATOR TEMPERATURE SENSOR NTC (BLACK 60")	1
40	XX-THT002	EVAPORATOR TEMPERATURE SENSOR NTC (BLACK 60")	1
41	XRI070372	EVAPORATOR COIL (1DFT)	1
42	XRI990215	THERMAL FUSE	1
43	XRI230126	DEFROST HEATER 250W (16.5" X 2")	1
44	N/A	AIR BAFFLE	1
45	XRI000069	DRAIN TUBE HEATER 5W (27")	1
46	XRI002150	INNER DRAIN PAN	1
47	XRI220481	DRAIN PAN HEATER 30W (19" X 4.75")	1
48	N/A	INNER DRAIN PAN COVER	1*
49	XRI002152	EVAPORATOR COVER	1
50	XRI410071	LED LIGHT	1
51	XX-SC0319	4" CASTER W/O BRAKE	2
52	XX-SCB319	4" CASTER WITH BRAKE	2
53	XRI002188	CASTER MOUNTING BRACKET	1
		* Non Stocking Item	



Model: ERT2X

NO.	PART #	DESCRIPTION	QTY
1	N/A	CABINET	1*
2	XRI001376	SHELF BRACKETS	4*
3	XRI001378	RIGHT SHELF TRACK	6
4	XRI013304	SHELF (20.86" X 25.2")	6
5	XRI001398	CENTER FRONT SHELF BRACKETS	1*
6	XRI001377	LEFT SHELF TRACK	6
7	XRI010745	DOOR GASKET (24.2" X 59.2")	2
8	XRI002183	HINGE, BOTTOM RIGHT	1
9	XX-DC0328	DOOR CLOSURE	4
10	XRI002154	DOOR ASSY, RIGHT (TOP MOUNT)	1
10	XRI002154K	DOOR ASSY, RIGHT (TOP MOUNT) (KINTERA)	1
10	XRI002154C	DOOR ASSY, RIGHT (TOP MOUNT) (CENTAUR)	1
11	XRI002189	HINGE, BOTTOM LEFT	1
12	XRI002190	DOOR ASSY, LEFT (TOP MOUNT)	1
12	XRI002190K	DOOR ASSY, LEFT (TOP MOUNT) (KINTERA)	1
12	XRI002190C	DOOR ASSY, LEFT (TOP MOUNT) (CENTAUR)	1
13	XX-URH005	HINGE UPPER RIGHT	1
14	XX-ULH005	HINGE UPPER LEFT	1
15	XX-H00357	KEY (SET OF 2 KEYS)	2
16	XX-H00357	KEY (SET OF 2 KEYS)	2
17	X-2194677	DOOR SWITCH	2
18	NONSTOCKING	CONTROL PANEL FIXER	4
19	XRI002155	UPPER SHROUD (TOP MOUNT -2D)	1
19	XRI002155K	UPPER SHROUD (TOP MOUNT -2D) (KINTERA)	1
19	XRI002155C	UPPER SHROUD (TOP MOUNT -2D) (CENTAUR)	1
20	XRI0084	UPPER SHROUD HINGE	2*
21	XRI0060	THERMOSTAT (XR03CX-4N0F1/115V)	1
22	XRI0056	POWER SWITCH	1
23	NONSTOCKING	FILTER DRIER BRACKET	1*
	X200010	CAP TUBE .039" I.D. X 78.75" L	1

NO.	PART #	DESCRIPTION	QTY
24	XX-H00348	FILTER DRIER(D25 X 167-B)	1
25	SEE #26		1
26	XX-HC0009	COMPRESSOR (DLE6.5N/115VAC/R290)	1
26	XX-HC0009K	START KIT FOR DLE6.5N	OPT
27	N/A	COMPRESSOR INSTALLATION PANEL	1*
28	N/A	AIR BAFFLE OF OUTER DRAIN PAN	1*
29	XRI000035	FAN MOTOR	1
30	XRI010002	CONDENSER FAN GUARD	1
31	XEFMB023	EVAPORATOR FAN MOTOR BLADE	1
32	XRI000001	CONDENSER COIL	1
33	XRI530034	POWER SUPPLY FOR LED LIGHT	1
34	XRI002157	OUTER DRAIN PAN	1
35	XRI001399	CENTER REAR SHELF BRACKETS	1*
36	XX-2194686	POWER CORD SET (14AWG, NEMA 5-15P) 8'	1
37	XRI002184	EVAPORATOR FAN MOTOR MOUNTING BRACKET - LEFT	2*
38	XRI000035	FAN MOTOR	2
39	XRI002185	EVAPORATOR FAN MOTOR MOUNTING BRACKET - RIGHT	2*
40	XEFMB023	EVAPORATOR FAN MOTOR BLADE	2
41	N/A	INNER EVAPORATOR COVER	1*
42	XX-THT002	EVAPORATOR TEMPERATURE SENSOR NTC (BLACK 60")	1
43	N/A	TOP PANEL	1*
44	N/A	AIR BAFFLE	1*
46	XRI070623	EVAPORATOR COIL (2DRT)	1
50	XRI002160	INNER DRAIN PAN	1
52	N/A	INNER DRAIN PAN COVER	1*
53	XRI002192	EVAPORATOR COVER	1
54	XRI410071	LED LIGHT	1
55	XX-SC0319	4" CASTER W/O BRAKE	2
56	XX-SCB319	4" CASTER WITH BRAKE	2
		* Non Stocking Part	



Model: EFT2X

NO.	PART #	DESCRIPTION	QTY
1	N/A	CABINET	1*
2	XRI001376	SHELF BRACKETS	4*
3	XRI001378	RIGHT SHELF TRACK	6
4	XRI013304	SHELF (20.86" X 25.2")	6
5	XRI001398	CENTER FRONT SHELF BRACKETS	1*
6	XRI001377	LEFT SHELF TRACK	6
7	XRI010745	DOOR GASKET (24.2" X 59.2")	2
8	XRI002183	HINGE, BOTTOM RIGHT	2
9	XX-DC0328	DOOR CLOSURE	4
10	XRI002154	DOOR ASSY, RIGHT (TOP MOUNT)	1
10	XRI002154K	DOOR ASSY, RIGHT (TOP MOUNT) (KINTERA)	1
10	XRI002154C	DOOR ASSY, RIGHT (TOP MOUNT) (CENTAUR)	1
11	XRI002189	HINGE, BOTTOM LEFT	1
12	XRI002190	DOOR ASSY, LEFT (TOP MOUNT)	1
12	XRI002190K	DOOR ASSY, LEFT (TOP MOUNT) (KINTERA)	1
12	XRI002190C	DOOR ASSY, LEFT (TOP MOUNT) (CENTAUR)	1
13	XX-URH005	HINGE UPPER RIGHT	1
14	XX-ULH005	HINGE UPPER LEFT	1
15	XX-H00357	KEY (SET OF 2 KEYS)	2
16	XX-H00357	KEY (SET OF 2 KEYS)	2
17	X-2194677	DOOR SWITCH	2
18	NONSTOCKING	CONTROL PANEL FIXER	4
19	XRI002155	UPPER SHROUD (TOP MOUNT -2D)	1
19	XRI002155K	UPPER SHROUD (TOP MOUNT -2D) (KINTERA)	1
19	XRI002155C	UPPER SHROUD (TOP MOUNT -2D) (CENTAUR)	1
20	XRI0084	UPPER SHROUD HINGE	2*
21	XRI0059	THERMOSTAT (DIXELL XR06CX)	1
22	XRI0056	POWER SWITCH	1
23	NONSTOCKING	FILTER BRACKET	1*
24	XX-H00348	FILTER DRIER(D25 X 167-B)	1
	X220010	CAP TUBE .039" I.D. X 86.6" L	1
25	SEE #26		1
		* Non Stocking Part	

NO.	PART #	DESCRIPTION	QTY
26	XX-HC0016	COMPRESSOR (SCE18CENX*2/115VAC/R290)	1
26	XX-HC0016K	START KIT FOR SCE18CENX*2	OPT
27	N/A	COMPRESSOR INSTALLATION PANEL	1*
28	N/A	AIR BAFFLE OF OUTER DRAIN PAN	1*
29	XRI000035	FAN MOTOR	1
30	XRI010002	CONDENSER FAN GUARD	1
31	XEFMB023	EVAPORATOR FAN MOTOR BLADE	1
32	XRI000001	CONDENSER COIL	1
33	XRI530034	POWER SUPPLY FOR LED LIGHT	1
34	XRI002157	OUTER DRAIN PAN	1
35	XRI001399	CENTER REAR SHELF BRACKETS	1*
36	XX-2194686	POWER CORD SET (14AWG, NEMA 5-15P) 8'	1
37	XRI002184	EVAPORATOR FAN MOTOR MOUNTING BRACKET - LEFT	2*
38	XRI000035	FAN MOTOR	2
39	XRI002185	EVAPORATOR FAN MOTOR MOUNTING BRACKET - RIGHT	2*
40	XEFMB023	EVAPORATOR FAN MOTOR BLADE	2
41	N/A	INNER EVAPORATOR COVER	1*
42	XX-THT002	EVAPORATOR TEMPERATURE SENSOR NTC (BLACK 60")	1
43	N/A	TOP PANEL	1*
44	N/A	AIR BAFFLE	1*
45	XRI0036	EVAPORATOR TEMPERATURE SENSOR NTC (BLACK 60")	1
46	XRI070624	EVAPORATOR COIL (2DFT)	1
47	XRI990215	THERMAL FUSE	1
48	XRI230127	DEFROST HEATER 400W (27.5" X 2")	1
49	XRI000069	DRAIN TUBE HEATER 5W (27")	1
50	XRI002160	INNER DRAIN PAN	1
51	XRI220481	DRAIN PAN HEATER 30W (19" X 4.75")	1
52	N/A	INNER DRAIN PAN COVER	1*
53	XRI002162	EVAPORATOR COVER	1*
54	XRI410071	LED LIGHT	1
55	XX-SC0319	4" CASTER W/O BRAKE	2
56	XX-SCB319	4" CASTER WITH BRAKE	2
		* Non Stocking Part	



**Solid Door Top Mount Top Mount
Reach-In Models:**

**ERT1X
EFT1X
ERT2X
EFT2X**



**PHONE: 704-900-2068
Website: www.entree.biz**