



PARTS LISTS BACKBAR BOTTLE COOLERS

MODELS:

BB-2D-60-HC, BB-2D-60-G-HC,
BB-2D-70-HC, BB-2D-70-G-HC,
BB-3D-90-HC, BB-3D-90-G-HC



Phone 704-200-2068

www.entree.biz

The serial number breakdown:

Example:1809ENTQ00123

The first two numbers are the Year, 18 = 2018

The second two numbers are the Month, 09 = September

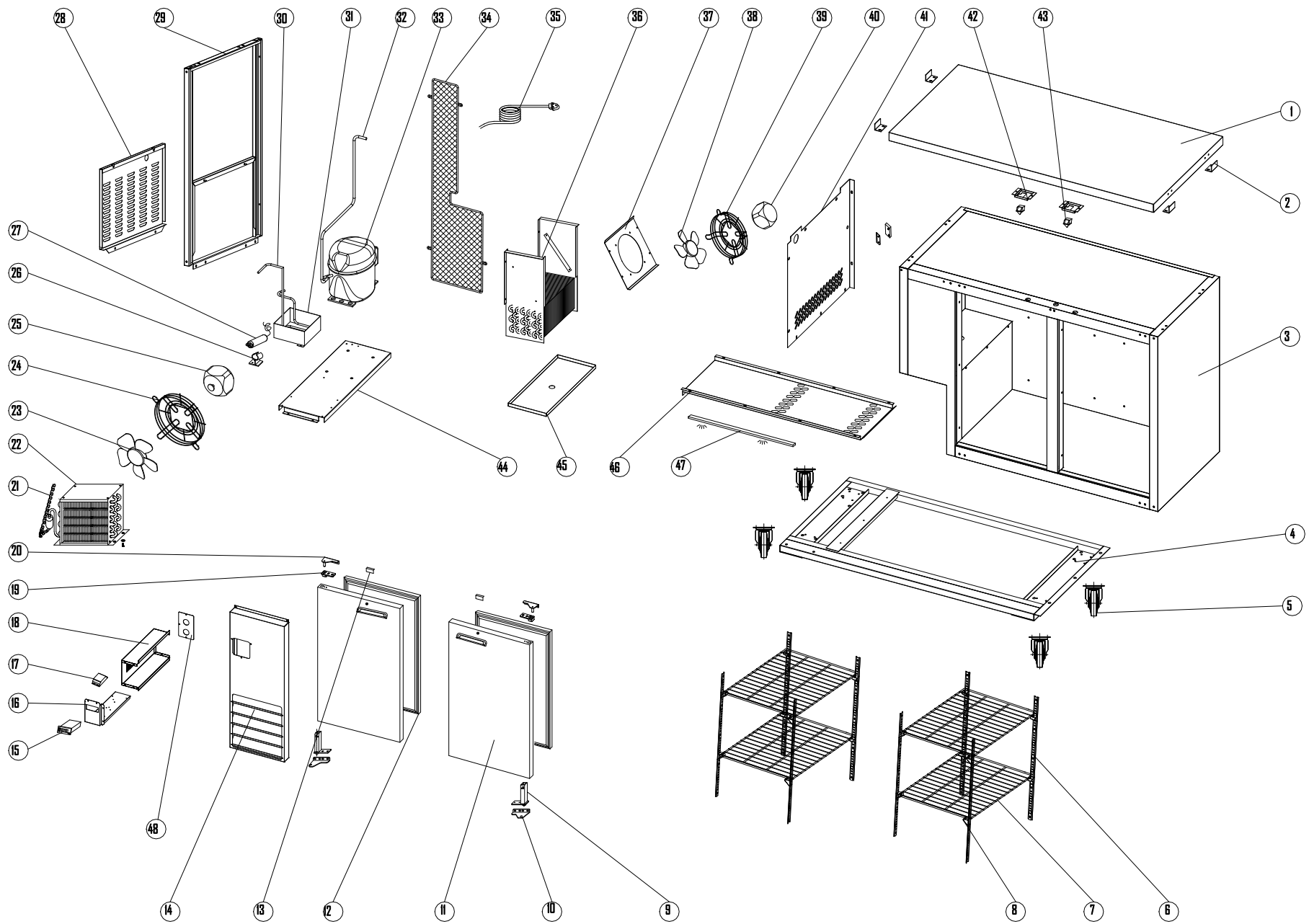
ENT = Entrée

The forth alpha character will note the Freon Type on the HC Models.

Q = R290, B= R600

The last FIVE numbers are the numerical sequence of units built that month. In the example this unit would have been the one hundred twenty third unit.

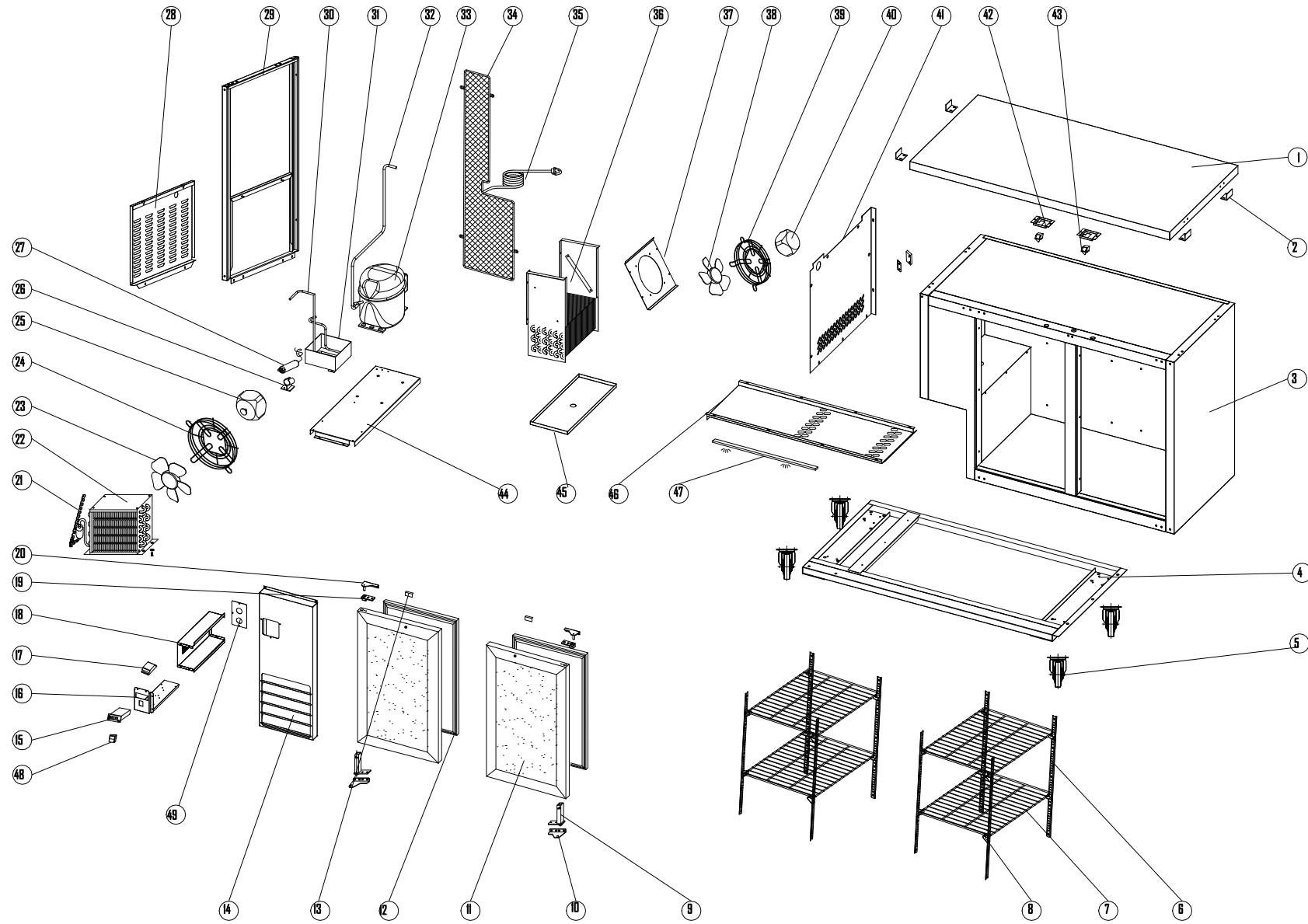
To order parts that are non-warranty, you can contact our parts distributor, 704-900-2068, option #2.



MODEL: BB-2D-60-HC

MODEL BB-2D-60-HC

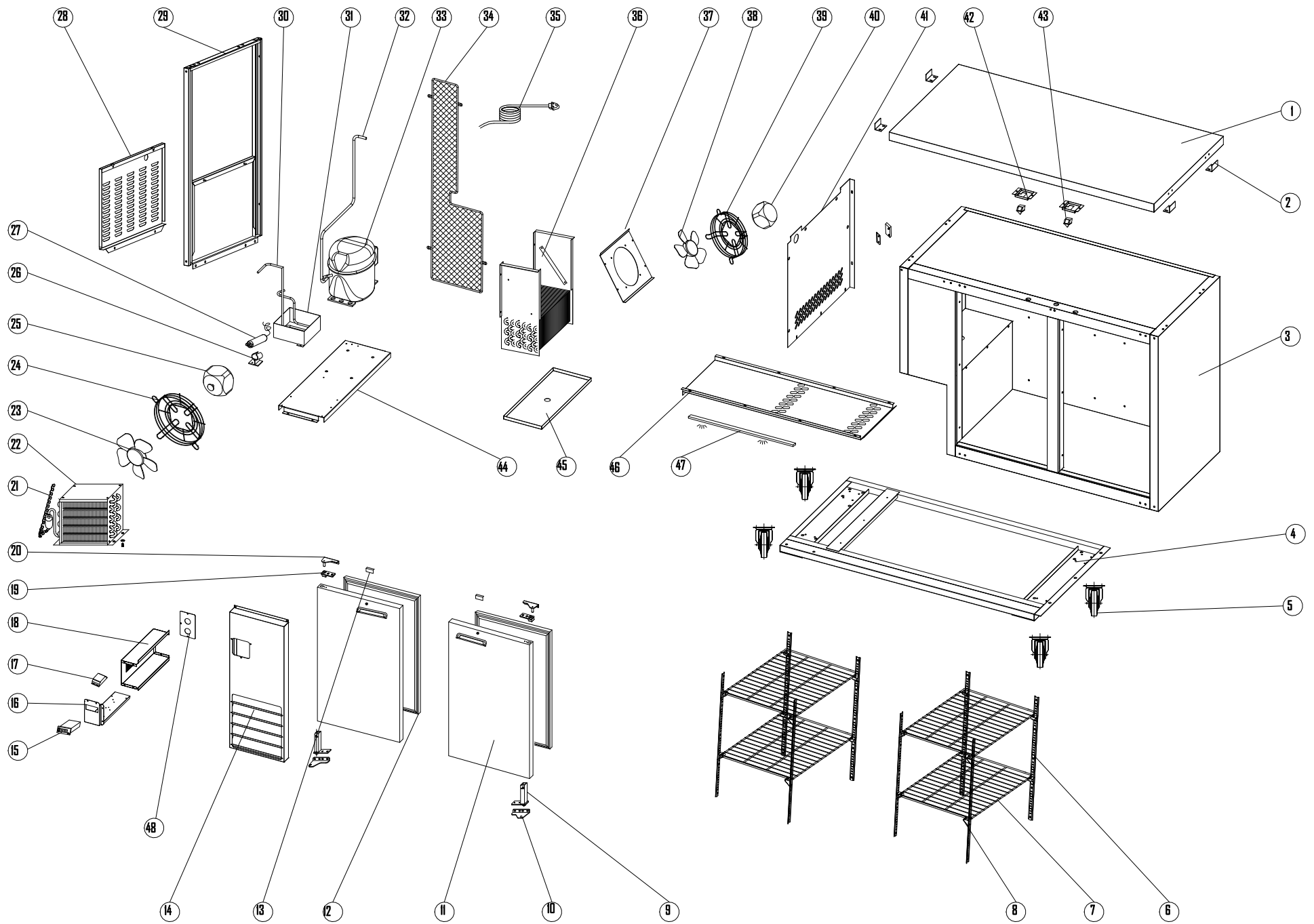
NO.	PART #	DESCRIPTION	QTY
1	BC30111	MAIN TOP (NON-STOCKING PART)	1
2	N/A	MAIN TOP MOUNTING BRACKET	4
3	N/A	MAIN BOX	1
4	N/A	CASTER SUPPORT CHANEL	1
5	BD0217	CASTER REAR 2.5" W/O BRAKE	2
5	BD0216	CASTER, FRONT 2.5" W/BRAKE	2
6	H02342	PILASTER LONG	8
7	BC30856-1	SHELF LEFT	2
7	BC30859-1	SHELF RIGHT	2
8	C3234860	PILASTER CLIP	16
9	H00328-1	DOOR SPRING HINGE	2
10	BD0323	HINGE, LOWER LEFT/RIGHT	2
10	BD0323	HINGE, LOWER LEFT/RIGHT	2
11	BC30101	DOOR/LEFT SOLID	1
11	BC30100	DOOR/RIGHT SOLID	1
12	HC006S	GASKET	2
13	BC30106	LOCK LOCK CATCH (NON-STOCKING PART)	2
14	BC30867	FRONT PANEL	1
15	H00209	THERMOSTAT, REFRIGERATOR (XR20C)	1
15	H00205	TEMPERATURE SENSOR NTC TYPE (5' LENGTH)	2
16	N/A	COVER BRACKET	1
17	H104070118	LED POWER SUPPLY	1
18	N/A	COVER BOX	1
19	H00326-2	HINGE AXIS JACKET	1
20	BD0322	HINGE, UPPER LEFT	1
20	BD0321	HINGE, UPPER RIGHT	1
21	H00303	CAPILLARY TUBE .055" ID X 118.1" L	1
22	HC3348	CONDENSER COIL	1
23	H00121	CONDENSER FAN BLADE	1
24	HC0111	CONDENSER FAN GRILL	1
25	H00120	CONDENSER FAN MOTOR	1
26	N/A	FILTER DRIER CLIP	1
27	H00341	FILTER DRIER	1
28	BC30114	SIDE LOUVERED COVER	1
29	N/A	COMPARTMENT FRAME	1
30	BC00060	DISCHARGE PIPE	1
31	C30019	WATER BOX	1
32	BC30107	SUCTION PIPE (NON-STOCKING PART)	1
33	H00038F	COMPRESSOR (NUG45LR) W/FILTER DRIER	1
33	H00038K	COMPRESSOR START KIT FOR NUG45LR	*
34	BC30811	UNIT ROOM GRILL	1
35	C2194684	POWER CORD SED, 14 AWG, MENA 5-15P	1
36	BC02004	EVAPORATOR	1
37	N/A	FAN SUPPORT	1
38	H00121	EVAPORATOR FAN BLADE	1
39	H01122	EVAPORATOR FAN GRILL	1
40	HC0116-2	EVAPORATOR FAN MOTOR	1
41	BC02005	EVAPORATOR COVER (*NON STOCKING PART)	1
42	HC10001	DOOR SWITCH CASE	1
43	C2194678	DOOR SWITCH, 3 PIN BLACK	2
44	N/A	CONDENSER MOUNTING BASE	1
45	BC30601	EVAPORATOR WATER PAN	1
46	N/A	CONDENSER BASE PANEL	1
47	BD0042	LED LIGHT	1
48	N/A	COVER BRACKET	1



MODEL: BB-2D-60-G-HC

MODEL BB-2D-60-G-HC

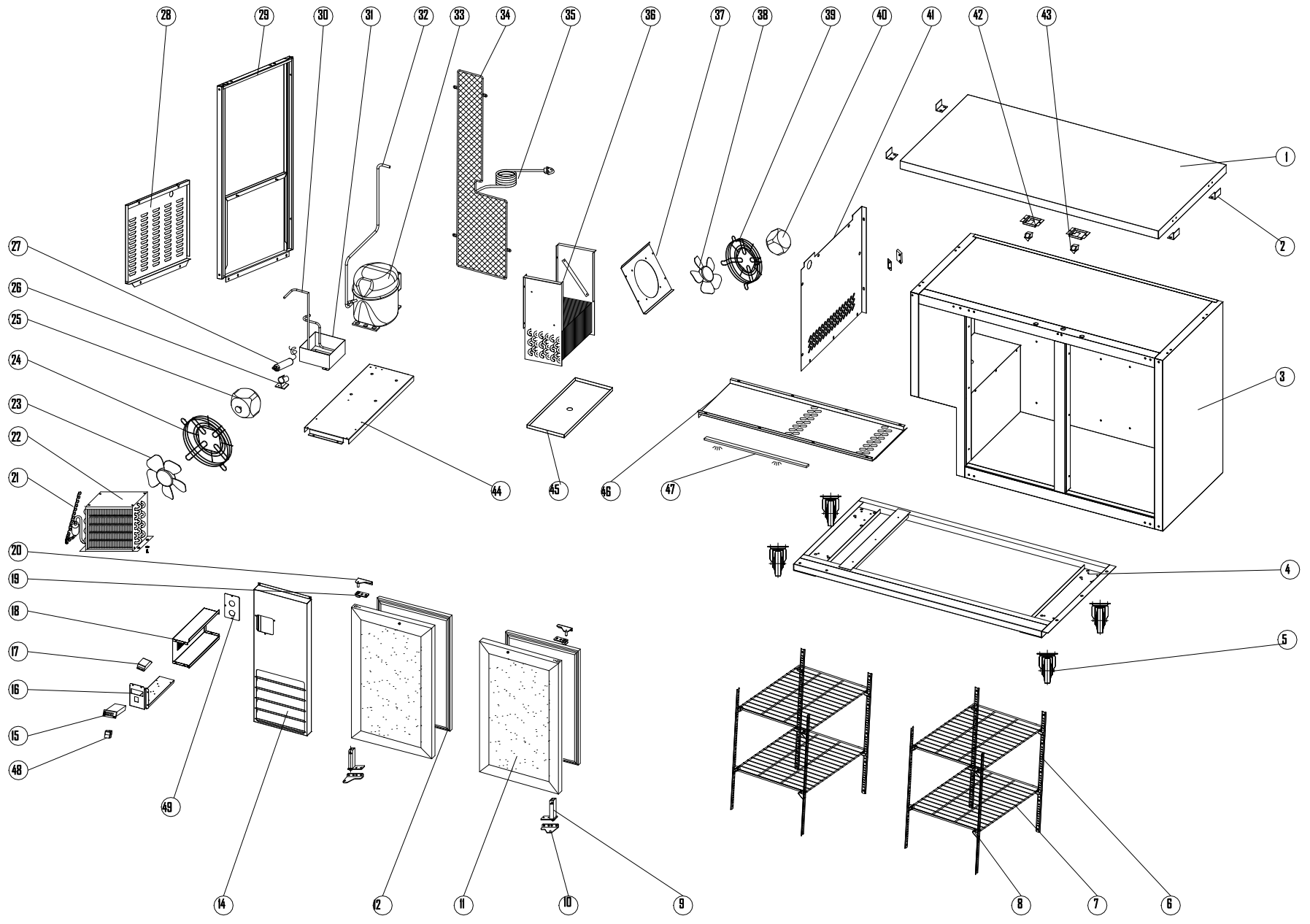
NO.	PART #	DESCRIPTION	QTY
1	BC30112	MAIN TOP (NON-STOCKING PART)	1
2	N/A	MAIN TOP MOUNTING BRACKET	4
3	N/A	MAIN BOX	1
4	N/A	CASTER SUPPORT CHANEL	1
5	BD0217	CASTER REAR 2.5" W/O BRAKE	2
5	BD0216	CASTER, FRONT 2.5" W/BRAKE	2
6	H02342	PILASTER LONG	8
7	BC30856-1	SHELF LEFT	2
7	BC30859-1	SHELF RIGHT	2
8	C3234860	PILASTER CLIP	16
9	H00328	DOOR SPRING HINGE	2
10	BD0323	HINGE, LOWER LEFT/RIGHT	2
10	BD0323	HINGE, LOWER LEFT/RIGHT	2
11	BC30000	DOOR/LEFT GLASS	1
11	BC30010	DOOR/RIGHT GLASS	1
12	HC006G	GASKET	2
13	BC30106	LOCK LOCK CATCH (NON-STOCKING PART)	2
14	BC30867	FRONT PANEL	1
15	H00209	THERMOSTAT, REFRIGERATOR (XR20C)	1
15	H00205	TEMPERATURE SENSOR NTC TYPE (5' LENGTH)	2
16	N/A	COVER BRACKET	1
17	H104070118	LED POWER SUPPLY	1
18	N/A	COVER BOX	1
19	H00326-2	HINGE AXIS JACKET	1
20	BD0322-G	HINGE, UPPER LEFT	1
20	BD0324	HINGE, UPPER RIGHT	1
21	H00303	CAPILLARY TUBE .055" ID X 118.1" L	1
22	BHC060	CONDENSER COIL	1
23	H00121	CONDENSER FAN BLADE	1
24	H00126	CONDENSER FAN GRILL	1
25	H00120	CONDENSER FAN MOTOR	1
26	N/A	FILTER DRIER CLIP	1
27	H00341	FILTER DRIER	1
28	BC30114	SIDE LOUVERED COVER	1
29	N/A	COMPARTMENT FRAME	1
30	BC00061	DISCHARGE PIPE	1
31	C30019	WATER BOX	1
32	BC30107	SUCTION PIPE (NON-STOCKING PART)	1
33	H00038F	COMPRESSOR (NUG45LR) W/FILTER DRIER	1
33	H00038K	COMPRESSOR START KIT FOR NUG45LR	*
34	BC30811	UNIT ROOM GRILL	1
35	C2194684	POWER CORD SED, 14 AWG, MENA 5-15P	1
36	BC02004	EVAPORATOR	1
37	N/A	FAN SUPPORT	1
38	H00121	EVAPORATOR FAN BLADE	1
39	H01122	EVAPORATOR FAN GRILL	1
40	HC0116-2	EVAPORATOR FAN MOTOR	1
41	BC02005	EVAPORATOR COVER (*NON STOCKING PART)	1
42	HC10001	DOOR SWITCH CASE	2
43	HC10015	DOOR SWITCH	2
44	N/A	CONDENSER MOUNTING BASE	1
45	BC30601	EVAPORATOR WATER PAN	1
46	N/A	CONDENSER BASE PANEL	1
47	BD0042	LED LIGHT	1
48	C2194692	LIGHT SWITCH	1
49	N/A	COVER BRACKET	1



MODEL: BB-2D-70-HC

MODEL BB-2D-70-HC

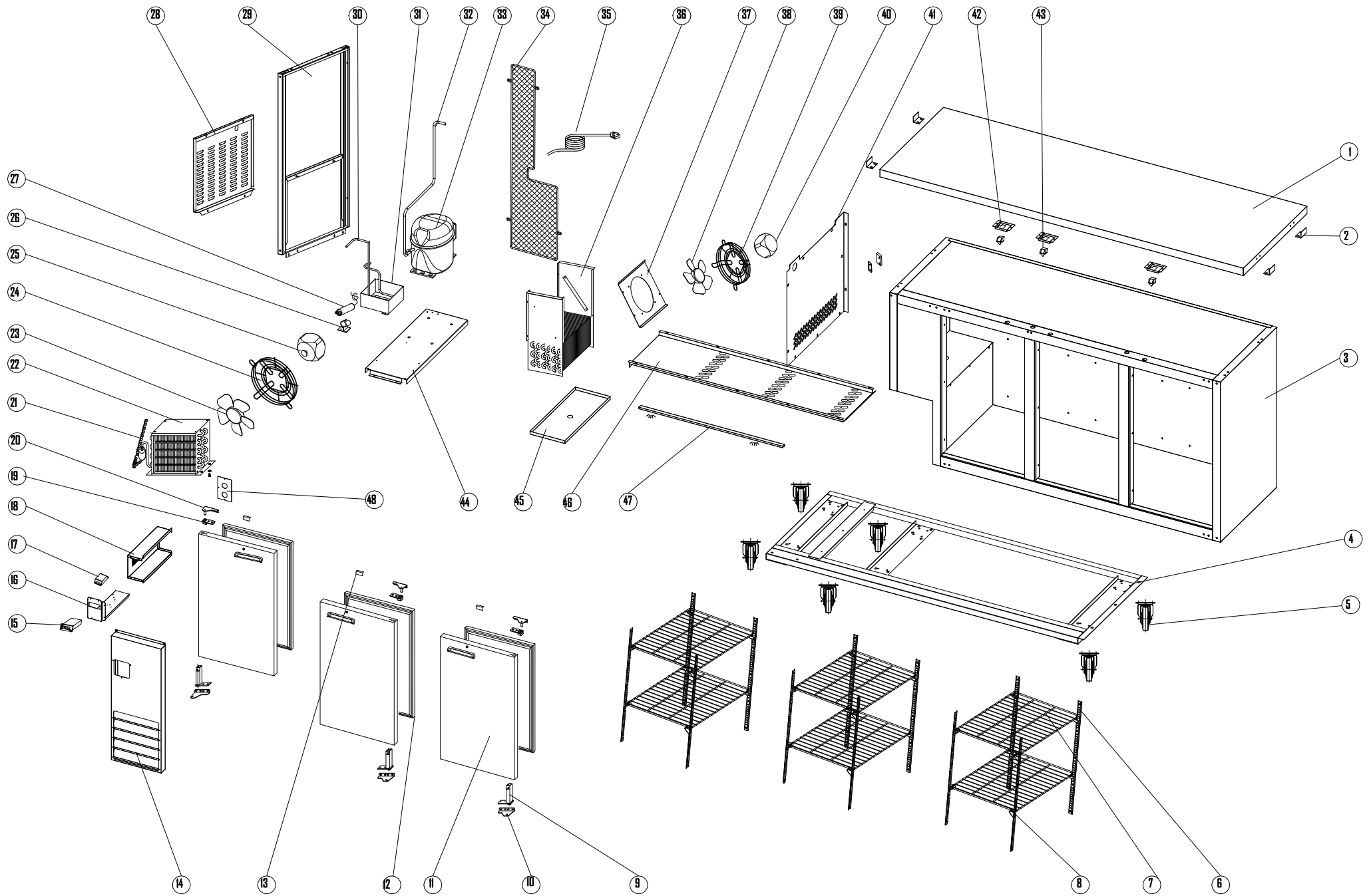
NO.	PART #	DESCRIPTION	QTY
1	BC30109	MAIN TOP (NON-STOCKING PART)	1
2	N/A	MAIN TOP MOUNTING BRACKET	4
3	N/A	MAIN BOX	1
4	N/A	CASTER SUPPORT CHANEL	1
5	BD0217	CASTER REAR 2.5" W/O BRAKE	2
5	BD0216	CASTER, FRONT 2.5" W/BRAKE	2
6	H02342	PILASTER LONG	8
7	BC30857-1	SHELF LEFT	2
7	BC30860-1	SHELF RIGHT	2
8	C3234860	PILASTER CLIP	16
9	H00328-1	DOOR SPRING HINGE	2
10	BD0323	HINGE, LOWER LEFT/RIGHT	2
10	BD0323	HINGE, LOWER LEFT/RIGHT	2
11	BC30104	DOOR/LEFT SOLID	1
11	BC30105	DOOR/RIGHT SOLID	1
12	HC007S	GASKET	2
13	BC30106	LOCK LOCK CATCH (NON-STOCKING PART)	2
14	BC30867	FRONT PANEL	1
15	H00209	THERMOSTAT, REFRIGERATOR (XR20C)	1
15	H00205	TEMPERATURE SENSOR NTC TYPE (5' LENGTH)	2
16	N/A	COVER BRACKET	1
17	H104070118	LED POWER SUPPLY	1
18	N/A	COVER BOX	1
19	H00326-2	HINGE AXIS JACKET	2
20	BD0322	HINGE, UPPER LEFT	1
20	BD0321	HINGE, UPPER RIGHT	1
21	H00303	CAPILLARY TUBE .055" ID X 118.1" L	1
22	HC3348	CONDENSER COIL	1
23	H00120	CONDENSER FAN MOTOR	1
24	H00121	CONDENSER FAN BLADE	1
25	HC0111	CONDENSER FAN GRILL	1
26	N/A	FILTER DRIER CLIP	1
27	H00341	FILTER DRIER	1
28	BC30114	SIDE LOUVERED COVER	1
29	N/A	COMPARTMENT FRAME	1
30	BC00060	DISCHARGE PIPE	1
31	C30019	WATER BOX	1
32	BC30107	SUCTION PIPE (NON-STOCKING PART)	1
33	H00038F	COMPRESSOR (NUG45LR) W/FILTER DRIER	1
33	H00038K	COMPRESSOR START KIT FOR NUG45LR	*
34	BC30811	UNIT ROOM GRILL	1
35	C2194684	POWER CORD SED, 14 AWG, MENA 5-15P	1
36	BC02004	EVAPORATOR	1
37	N/A	FAN SUPPORT	1
38	H00121	EVAPORATOR FAN BLADE	1
39	H01122	EVAPORATOR FAN GRILL	1
40	HC0116-2	EVAPORATOR FAN MOTOR	1
41	BC02005	EVAPORATOR COVER (*NON STOCKING PART)	1
42	HC10001	DOOR SWITCH CASE	2
43	C2194678	DOOR SWITCH, 3 PIN BLACK	2
44	N/A	CONDENSER MOUNTING BASE	1
45	BC30601	EVAPORATOR WATER PAN	1
46	N/A	CONDENSER BASE PANEL	1
47	BD0042	LED LIGHT	1
48	N/A	COVER BRACKET	1



MODEL: BB-2D-70-G-HC

MODEL BB-2D-70-G-HC

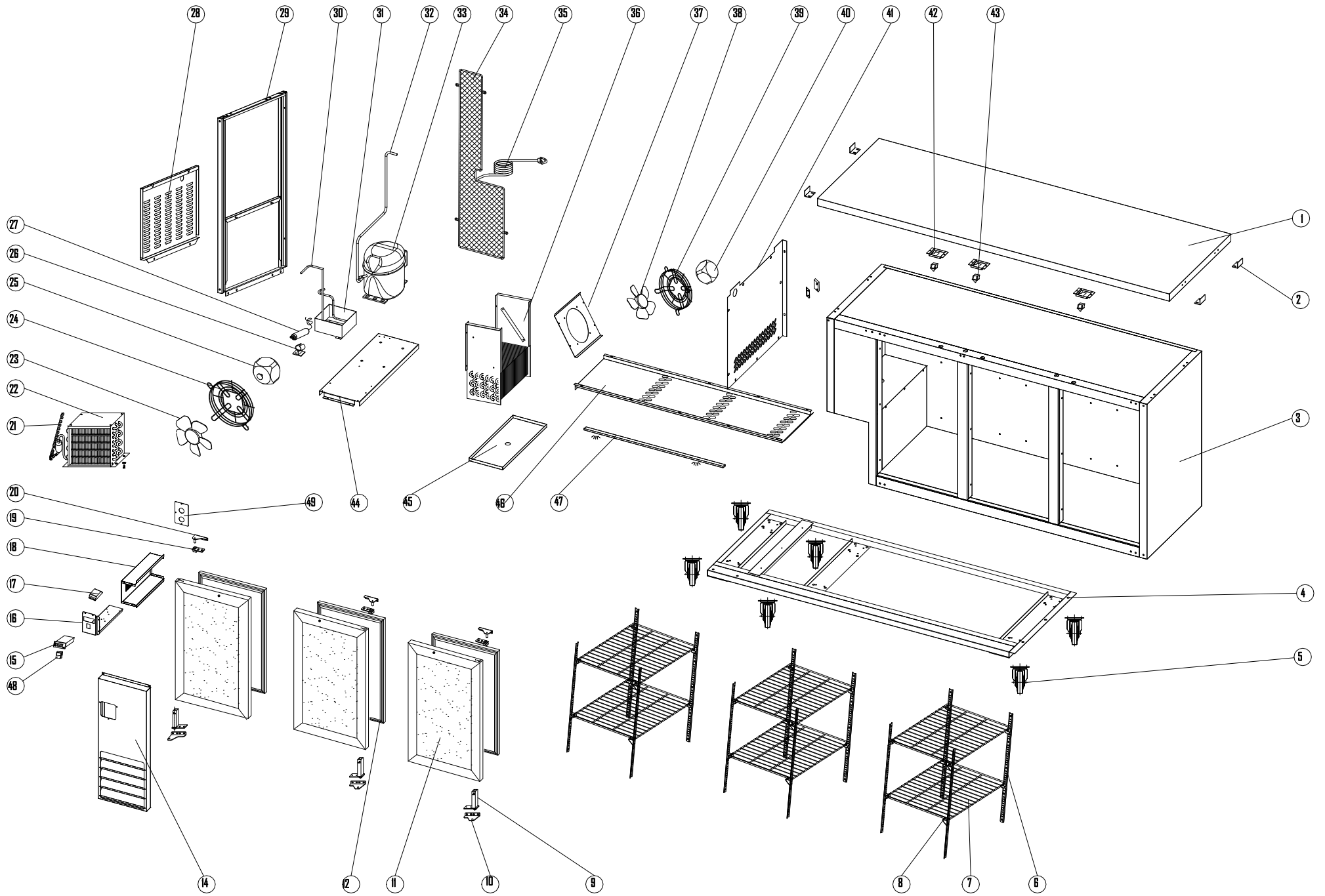
NO.	PART #	DESCRIPTION	QTY
1	BC30110	MAIN TOP (NON-STOCKING PART)	1
2	N/A	MAIN TOP MOUNTING BRACKET	4
3	N/A	MAIN BOX	1
4	N/A	CASTER SUPPORT CHANEL	1
5	BD0217	CASTER REAR 2.5" W/O BRAKE	2
5	BD0216	CASTER, FRONT 2.5" W/BRAKE	2
6	H02342	PILASTER LONG	8
7	BC30857-1	SHELF LEFT	2
7	BC30860-1	SHELF RIGHT	2
8	C3234860	PILASTER CLIP	16
9	H00328	DOOR SPRING HINGE	2
10	BD0323	HINGE, LOWER LEFT/RIGHT	2
10	BD0323	HINGE, LOWER LEFT/RIGHT	2
11	BC30001	DOOR/LEFT GLASS	1
11	BC30011	DOOR/RIGHT GLASS	1
12	HC007G	GASKET	2
14	BC30867	FRONT PANEL	1
15	H00209	THERMOSTAT, REFRIGERATOR (XR20C)	1
15	H00205	TEMPERATURE SENSOR NTC TYPE (5' LENGTH)	2
16	N/A	COVER BRACKET	1
17	H104070118	LED POWER SUPPLY	1
18	N/A	COVER BOX	1
19	H00326-2	HINGE AXIS JACKET	2
20	BD0322-G	HINGE, UPPER LEFT	1
20	BD0324	HINGE, UPPER RIGHT	1
21	H00303	CAPILLARY TUBE .055" ID X 118.1" L	1
22	BHC060	CONDENSER COIL	1
23	H00120	CONDENSER FAN MOTOR	1
24	H00121	CONDENSER FAN BLADE	1
25	H00126	CONDENSER FAN GRILL	1
26	N/A	FILTER DRIER CLIP	1
27	H00341	FILTER DRIER	1
28	BC30114	SIDE LOUVERED COVER	1
29	N/A	COMPARTMENT FRAME	1
30	BC00061	DISCHARGE PIPE	1
31	C30019	WATER BOX	1
32	BC30107	SUCTION PIPE (NON-STOCKING PART)	1
33	H00038F	COMPRESSOR (NUG45LR) W/FILTER DRIER	1
33	H00038K	COMPRESSOR START KIT FOR NUG45LR	*
34	BC30811	UNIT ROOM GRILL	1
35	C2194684	POWER CORD SED, 14 AWG, MENA 5-15P	1
36	BC02004	EVAPORATOR	1
37	N/A	FAN SUPPORT	1
38	H00121	EVAPORATOR FAN BLADE	1
39	H01122	EVAPORATOR FAN GRILL	1
40	HC0116-2	EVAPORATOR FAN MOTOR	1
41	BC02005	EVAPORATOR COVER (*NON STOCKING PART)	1
42	HC10001	DOOR SWITCH CASE	2
43	C2194678	DOOR SWITCH, 3 PIN BLACK	2
44	N/A	CONDENSER MOUNTING BASE	1
45	BC30601	EVAPORATOR WATER PAN	1
46	N/A	CONDENSER BASE PANEL	1
47	BD0042	LED LIGHT	1
48	C2194692	LIGHT SWITCH	1
49	N/A	COVER BRACKET	1



MODEL: BB-3D-90-HC

MODEL BB-3D-90-HC

NO.	PART #	DESCRIPTION	QTY
1	BC30108	MAIN TOP (NON-STOCKING PART)	1
2	N/A	MAIN TOP MOUNTING BRACKET	4
3	N/A	MAIN BOX	1
4	N/A	CASTER SUPPORT CHANEL	1
5	BD0217	CASTER REAR 2.5" W/O BRAKE	3
5	BD0216	CASTER, FRONT 2.5" W/BRAKE	3
6	H02342	PILASTER LONG	12
7	BC30858-1	SHELF LEFT	4
7	BC30861-1	SHELF RIGHT	2
8	C3234860	PILASTER CLIP	24
9	H00328-1	DOOR SPRING HINGE	3
10	BD0323	HINGE, LOWER LEFT/RIGHT	2
10	BD0323	HINGE, LOWER LEFT/RIGHT	3
11	BC30102	DOOR/LEFT SOLID	1
11	BC30103	DOOR/RIGHT SOLID	2
12	HC009S	GASKET	3
13	BC30106	LOCK LOCK CATCH (NON-STOCKING PART)	3
14	BC30867	FRONT PANEL	1
15	H00209	THERMOSTAT, REFRIGERATOR (XR20C)	1
15	H00205	TEMPERATURE SENSOR NTC TYPE (5' LENGTH)	2
16	N/A	COVER BRACKET	1
17	H104070118	LED POWER SUPPLY	1
18	N/A	COVER BOX	1
19	H00326-2	HINGE AXIS JACKET	3
20	BD0322	HINGE, UPPER LEFT	1
20	BD0321	HINGE, UPPER RIGHT	2
21	H00303	CAPILLARY TUBE .055" ID X 118.1" L	1
22	BHC090	CONDENSER COIL	1
23	H00121	CONDENSER FAN BLADE	1
24	HC0111	CONDENSER FAN GRILL	1
25	H00120	CONDENSER FAN MOTOR	1
26	N/A	FILTER DRIER CLIP	1
27	H00341	FILTER DRIER	1
28	BC30114	SIDE LOUVERED COVER	1
29	N/A	COMPARTMENT FRAME	1
30	BC00060	DISCHARGE PIPE	1
31	C30019	WATER BOX	1
32	BC30107	SUCTION PIPE (NON-STOCKING PART)	1
33	H00038F	COMPRESSOR (NUG45LR) W/FILTER DRIER	1
33	H00038K	COMPRESSOR START KIT FOR NUG45LR	
34	BC30811	UNIT ROOM GRILL	1
35	C2194684	POWER CORD SED, 14 AWG, MENA 5-15P	1
36	BC02004	EVAPORATOR	1
37	N/A	FAN SUPPORT	1
38	H00121	EVAPORATOR FAN BLADE	1
39	H01122	EVAPORATOR FAN GRILL	1
40	HC0116-2	EVAPORATOR FAN MOTOR	1
41	BC02005	EVAPORATOR COVER (*NON STOCKING PART)	1
42	HC10001	DOOR SWITCH CASE	3
43	C2194678	DOOR SWITCH, 3 PIN BLACK	3
44	N/A	CONDENSER MOUNTING BASE	1
45	BC30601	EVAPORATOR WATER PAN	1
46	N/A	CONDENSER BASE PANEL	1
47	BD0042	LED LIGHT	1
48	N/A	COVER BRACKET	1



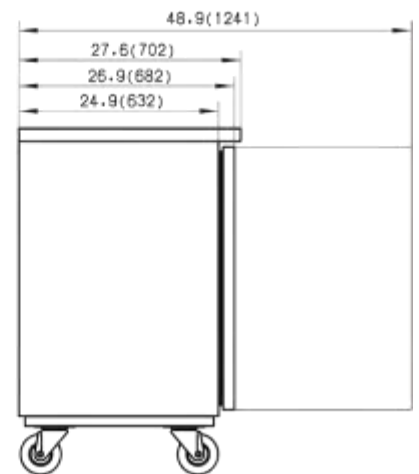
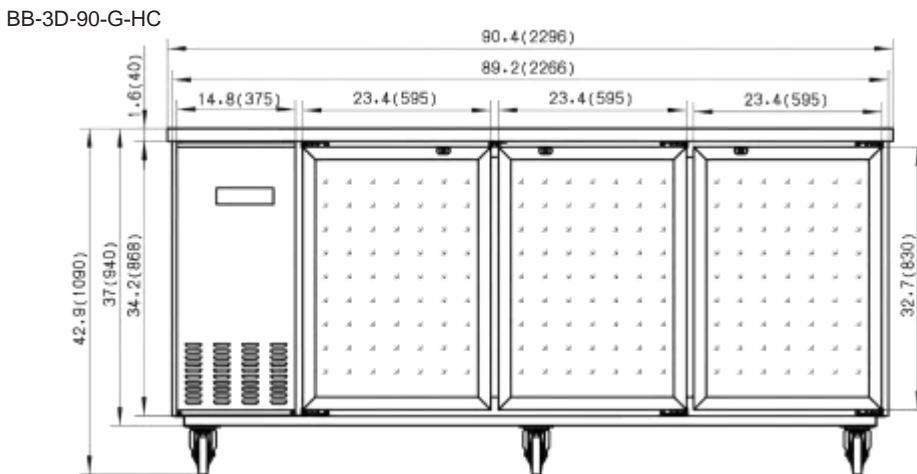
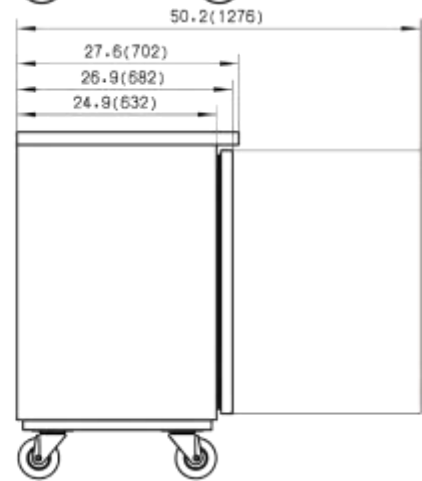
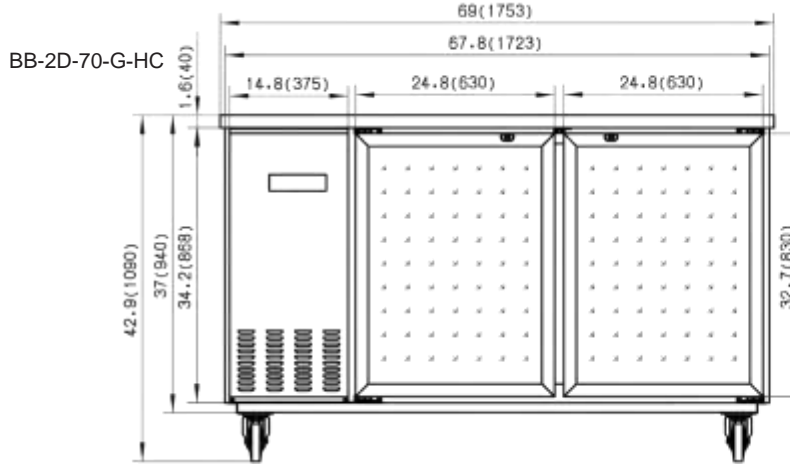
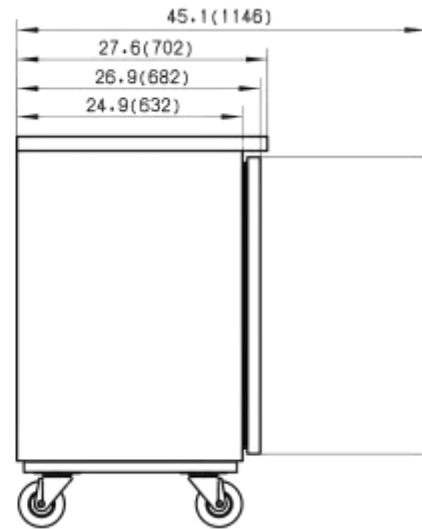
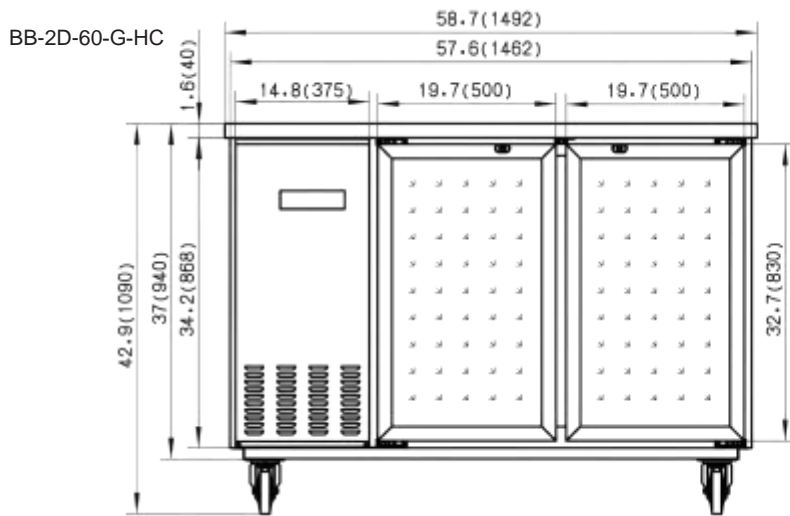
MODEL: BB-3D-90-G-HC

MODEL BB-3D-90-G-HC

NO.	PART #	DESCRIPTION	QTY
1	BC30113	MAIN TOP (NON-STOCKING PART)	1
2	N/A	MAIN TOP MOUNTING BRACKET	4
3	N/A	MAIN BOX	1
4	N/A	CASTER SUPPORT CHANEL	1
5	BD0217	CASTER REAR 2.5" W/O BRAKE	3
5	BD0216	CASTER, FRONT 2.5" W/BRAKE	3
6	H02342	PILASTER LONG	12
7	BC30858-1	SHELF LEFT	4
7	BC30861-1	SHELF RIGHT	2
8	C3234860	PILASTER CLIP	24
9	H00328	DOOR SPRING HINGE	3
10	BD0323	HINGE, LOWER LEFT/RIGHT	3
11	BC30002	DOOR/LEFT GLASS	1
11	BC30012A	DOOR/RIGHT GLASS	2
12	HC009G	GASKET	3
14	BC30867	FRONT PANEL	1
15	H00209	THERMOSTAT, REFRIGERATOR (XR20C)	1
15	H00205	TEMPERATURE SENSOR NTC TYPE (5' LENGTH)	2
16	N/A	COVER BRACKET	1
17	H104070118	LED POWER SUPPLY	1
18	N/A	COVER BOX	1
19	H00326-2	HINGE AXIS JACKET	1
20	BD0322-G	HINGE, UPPER LEFT	1
20	BD0324	HINGE, UPPER RIGHT	2
21	H00303	CAPILLARY TUBE .055" ID X 118.1" L	1
22	BHC060	CONDENSER COIL	1
23	H00121	CONDENSER FAN BLADE	1
24	H00126	CONDENSER FAN GRILL	1
25	H00120	CONDENSER FAN MOTOR	1
26	N/A	FILTER DRIER CLIP	1
27	H00341	FILTER DRIER	1
28	BC30114	SIDE LOUVERED COVER	1
29	N/A	COMPARTMENT FRAME	1
30	BC00061	DISCHARGE PIPE	1
31	C30019	WATER BOX	1
32	BC30107	SUCTION PIPE (NON-STOCKING PART)	1
33	H00038F	COMPRESSOR (NUG45LR) W/FILTER DRIER	1
33	H00038K	COMPRESSOR START KIT FOR NUG45LR	
34	BC30811	UNIT ROOM GRILL	1
35	C2194684	POWER CORD SED, 14 AWG, MENA 5-15P	1
36	BC02004	EVAPORATOR	1
37	N/A	FAN SUPPORT	1
38	H00121	EVAPORATOR FAN BLADE	1
39	H01122	EVAPORATOR FAN GRILL	1
40	HC0116-2	EVAPORATOR FAN MOTOR	1
41	BC02005	EVAPORATOR COVER (*NON STOCKING PART)	1
42	HC10001	DOOR SWITCH CASE	3
43	HC10015	DOOR SWITCH	3
44	N/A	CONDENSER MOUNTING BASE	1
45	BC30601	EVAPORATOR WATER PAN	1
46	N/A	CONDENSER BASE PANEL	1
47	BD0042	LED LIGHT	1
48	C2194692	LIGHT SWITCH	1
49	N/A	COVER BRACKET	1



DETAILS AND DIMENSIONS



Model	# of Doors	Storage CAP (Cu-ft)	Shelves	Cabinet Dim (in)			HP	Voltage /Hz /ph	Amp	NEMA Plug	Cord Lgth (ft)	Crated Weight (lbs)
				W	D	H						
BB-2D-60-G-HC	1	4.56	2	23.62	21.06	34.25	2/5	115/60/1	3.0	5-15P	8.2	150
BB-2D-70-G-HC	2	7.12	4	35.43	21.06	34.25	2/5	115/60/1	3.0	5-15P	8.2	203
BB-3D-90-G-HC	3	11.31	6	53.15	21.06	34.25	3/7	115/60/1	3.0	5-15P	8.2	269



For Tech Support or Parts Call:
1-704-900-2068

Website: <https://www.entree.biz>