



**PARTS LIST
FOR UNDERCOUNTER & WORKTOP
HC MODELS:**

Model	Model
UF27-HC	WTF27-HC
UF48-HC	WTF48-HC
UF61-HC	WTF61-HC
UF72-HC	WTF72-HC
UR27-HC	WTR27-HC
UR48-HC	WRT48-HC
UR61-HC	WTR61-HC
UR72-HC	WTR72-HC



UR27-HC OR UF27-HC



WTR27-HC OR WTF27-HC

Model Number

UF27-HC = Undercounter Freezer 27"

UR27-HC = Undercounter Refrigerator 27"

WTF27-HC = Worktop Freezer 27"

WTR27-HC = Worktop Refrigerator 27"

The refrigeration systems are the same in Undercounter and Worktop Models, the only difference is the 3" backsplash on the Worktop models.

The serial number breakdown:

Example:1809ENTQ00123

The first two numbers are the Year, 18 = 2018

The second two numbers are the Month, 09 = September

ENT = Entrée

The forth alpha character will note the Freon Type on the HC Models.

Q = R290, B= R600

The last FIVE numbers are the numerical sequence of units built that month. In the example this unit would have been the one hundred twenty third unit.

To order parts that are non-warranty, you can contact our parts distributor, 704-900-2068, option #2.

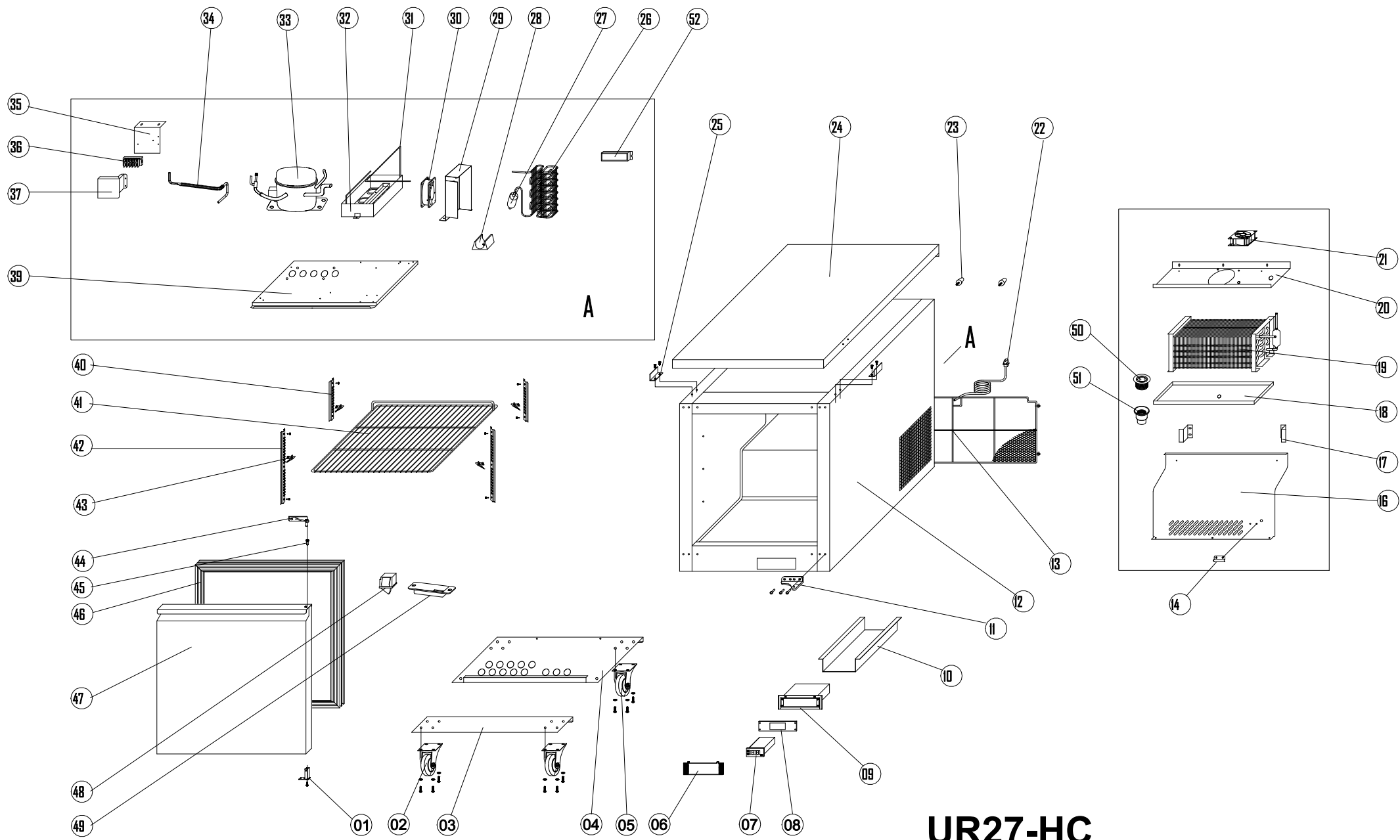
Specs:

Model	Doors	Capacity (cu.ft)	Shelves	Cabinet Dim (inches)			HP	Voltage	Amps	NEMA Plug	Cord Length	Crated Weight
				L	D	H						
UF27-HC	1	6.5	1	27.8	31.0	35.4	1/2	115/60/1	1.9	5-15P	10	291
UF48-HC	2	12	2	48.2	31.0	35.4	1/2	115/60/1	2.4	5-15P	10	340
UF61-HC	2	15.5	2	61.2	31.0	35.4	1/2	115/60/1	5.0	5-15P	10	388
UF72-HC	3	18	3	71.7	29.9	39.4	5/8	115/60/1	6.0	5-15P	10	399

Model	Doors	Capacity (cu.ft)	Shelves	Cabinet Dim (inches)			HP	Voltage	Amps	NEMA Plug	Cord Length	Crated Weight
				L	D	H						
UR27-HC	1	6.5	1	27.8	31.0	35.4	3/8	115/60/1	1.5	5-15P	10	243
UR48-HC	2	12	2	48.2	31.0	35.4	3/8	115/60/1	3.0	5-15P	10	300
UR61-HC	2	15.5	2	61.2	31.0	35.4	3/8	115/60/1	3.0	5-15P	10	330
UR72-HC	3	18	3	71.7	29.9	39.4	3/8	115/60/1	3.5	5-15P	10	380

Model	Doors	Capacity (cu.ft)	Shelves	Cabinet Dim (inches)			HP	Voltage	Amps	NEMA Plug	Cord Length	Crated Weight
				L	D	H						
WTF27-HC	1	6.5	1	27.8	31.0	39.8	1/2	115/60/1	1.9	5-15P	10	291
WTF48-HC	2	12	2	48.2	31.0	39.8	1/2	115/60/1	2.4	5-15P	10	340
WTF61-HC	2	15.5	2	61.2	31.0	39.8	1/2	115/60/1	5	5-15P	10	388
WTF72-HC	3	18	3	71.7	29.9	39.4	5/8	115/60/1	6	5-15P	10	399

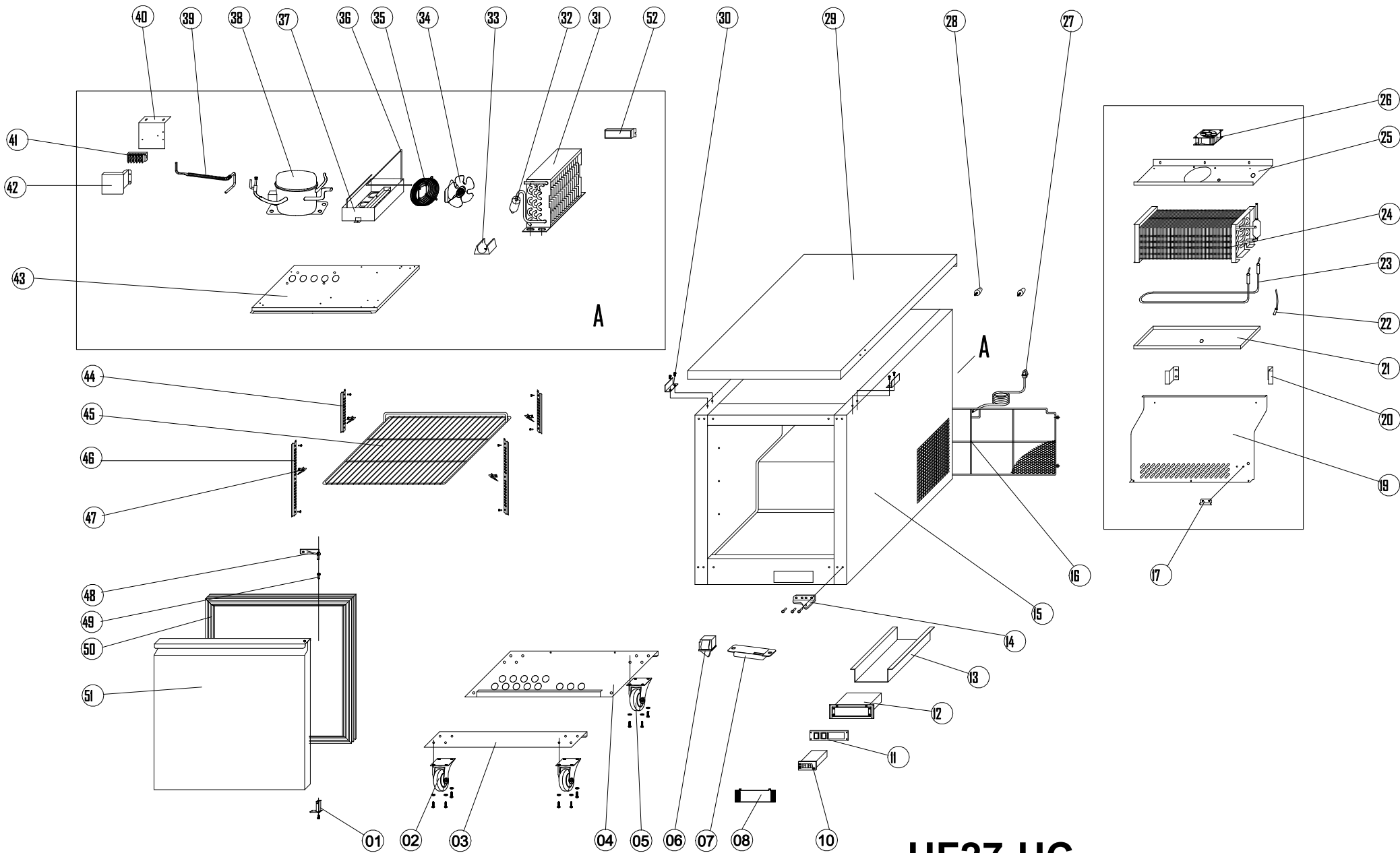
Model	Doors	Capacity (cu.ft)	Shelves	Cabinet Dim (inches)			HP	Voltage	Amps	NEMA Plug	Cord Length	Crated Weight
				L	D	H						
WTR27-HC	1	6.5	1	27.8	31.0	39.8	3/8	115/60/1	1.5	5-15P	10	190
WTR48-HC	2	12	2	48.2	31.0	39.8	3/8	115/60/1	3.0	5-15P	10	280
WTR61-HC	2	15.5	2	61.2	31.0	39.8	3/8	115/60/1	3.0	5-15P	10	330
WTR72-HC	3	18	3	71.7	29.9	39.4	3/8	115/60/1	3.5	5-15P	10	380



UR27-HC

Parts List for UR27-HC

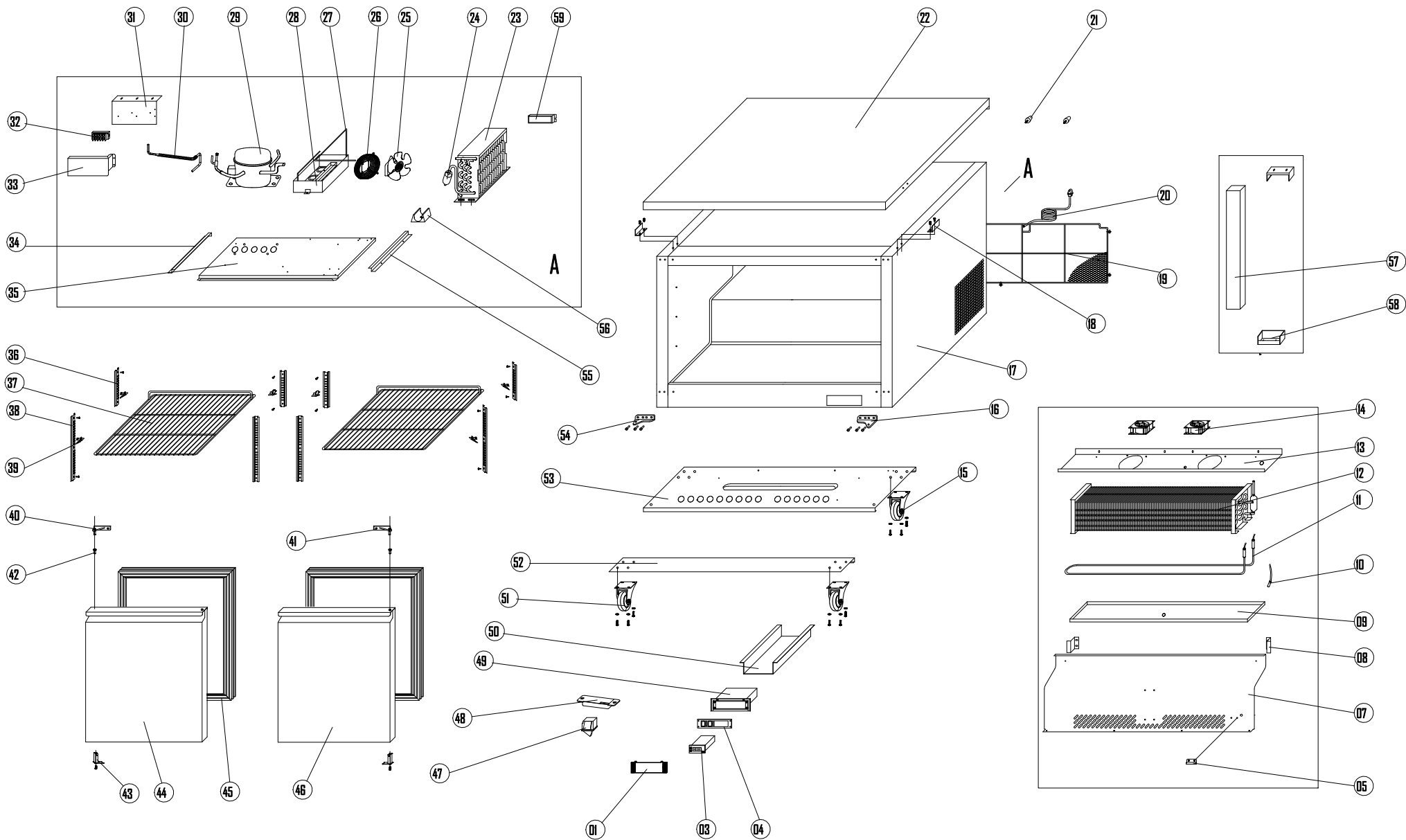
NO.	PART #	DESCRIPTION	QTY
1	H00328-2	HINGE CARTRIDGE, SELF CLOSING	1
2	H01316	CASTER 2.5" DIAMETER WHEEL, WITH BRAKE	2
3	N/A	CASTER SUPPORT CHANNEL	1
4	N/A	MAIN BASE PANEL	1
5	H01317	CASTER 2.5" DIAMETER WHEEL, WITH OUT BRAKE	2
6	HC0381	THERMOSTAT COVER	1
7	H00219	CONTROLLER, REFRIGERATOR DIXELL XR20C	1
7	H00205	TEMPERATURE SENSOR (NTC)	2
8	N/A	THERMOSTAT MOUNTING BOARD	1
9	N/A	THERMOSTAT BOX	1
10	N/A	WIRE CHANNEL	1
11	C02327RB	HINGE, LOWER RIGHT	1
12	N/A	BODY	1
13	H01314	REAR MACHINE COMPARTMENT COVER	1
14	H00335	SENSOR CLIP	1
16	H01153	EVAPORATOR COVER	1
17	N/A	MOUNTING BRACKET	2
18	H01145	EVAPORATOR DRAIN PAN (18.5" X 5" X 1")	1
19	HC1348R	EVAPORATOR COIL	1
20	HC1357	EVAPORATOR FAN SUPPORT (27)	1
21	HC0117	EVAPORATOR FAN MOTOR (Mod 12539JE-12K-BA, DC12V .21A)	1
22	C2194684	POWER CORD, 14AWG/NEMA 5-15P	1
23	H02315	REAR WALL SPACER	2
24	N/A	MAIN TOP	1
25	N/A	MAIN TOP BRACKET	2
26	HC2347	CONDENSER COIL	1
27	H00341	FILTER DRIER	1
28	N/A	DRIER SUPPORT	1
29	N/A	CONDENSER COVER	1
30	H01110	MOTOR, EVAPORATOR FAN	1
31	HC0123	EVAPORATE PIPE	1
32	BC30911	CONDENSER WATER BOX	1
33	H00029F	COMPRESSOR KIT, HDL125D + FILTER DRYER	1
33	H00029K	START KIT FOR HDL125D	
34	HC0136	SUCTION PIPE	1
35	N/A	BRACKET	1
36	H00215	TERMINAL BLOCK, 5 POLE	1
37	N/A	COVER	1
39	N/A	CONDENSER PANEL	1
40	H03342	PILASTER	2
41	H01308	SHELF	1
42	H01342	PILASTER	2
43	C3234860	PILASTER CLIP	4
44	C02327	HINGE, TOP RIGHT	1
45	H108300029	BUSHING	1
46	HC2326	GASKET, DOOR	1
47	HC3323	Door	1
48	HC10000	DOOR SWITCH	1
49	HC10001	DOOR SWITCH CAST	1
50	G30002	DRAIN PIPE (FEMALE)	1
51	G30001	DRAIN PIPE (MALE)	1
52	H104070144	POWER SUPPLY	1



UF27-HC

Parts List for UF27-HC

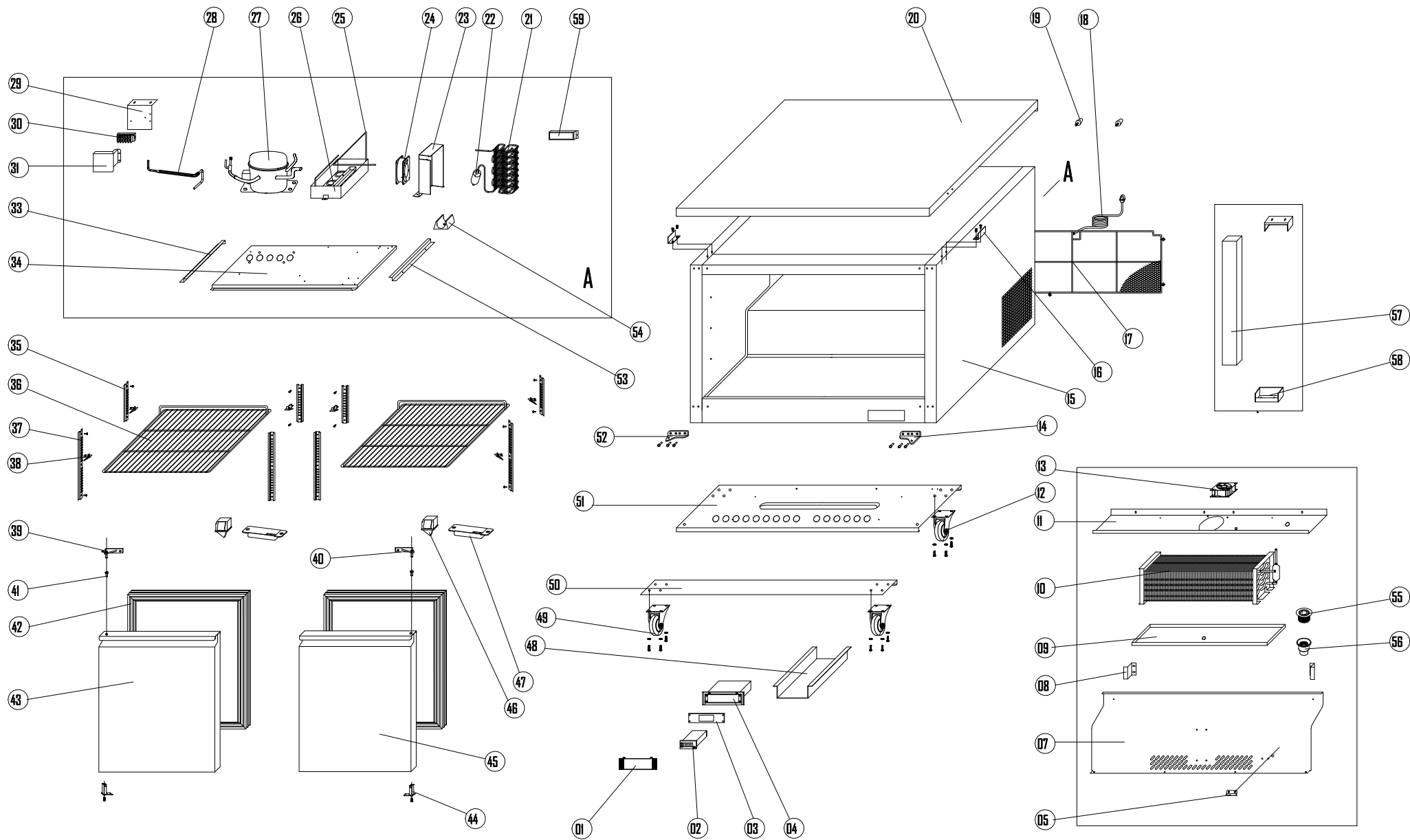
NO.	PART #	DESCRIPTION	QTY
1	H00328-2	HINGE CARTRIDGE, SELF CLOSING	1
2	H01316	CASTER 2.5" DIAMETER WHEEL, WITH BRAKE	2
3	N/A	CASTER SUPPORT CHANEL	1
4	N/A	MAIN BASE PANEL	1
5	H01317	CASTER 2.5" DIAMETER WHEEL, WITH OUT BRAKE	2
6	HC10000	DOOR SWITCH	1
7	HC10001	DOOR SWITCH CAST	1
8	HC0381	THERMOSTAT COVER	1
10	H00204	CONTROLLER, FREEZER DIXELL XR60C	1
10	H00205	TEMPERATURE SENSOT (NTC)	2
11	N/A	THERMOSTAT MOUNTING BOARD	1
12	N/A	THERMOSTAT BOX	1
13	N/A	WIRE CHANEL	1
14	C02327RB	HINGE, LOWER RIGHT	1
15	N/A	BODY	1
16	H01314	REAR MACHINE COMPARTMENT COVER	1
17	H00335	SENSOR CLIP	1
19	H01154	EVAPORATOR COVER	1
20	N/A	MOUNTING BRACKET	2
21	H01142	EVAPORATOR DRAIN PAN (17.25" X 5" X 1")	1
22	H00207	FUSE, THERMAL, DEFROST HEATER	1
23	HC1201	DEFROST HEATING ELEMENT	1
24	HC1330F	EVAPORATOR COIL	1
25	HC1357	EVAPORATOR FAN SUPPORT (27)	1
26	HC0117	EVAPORATOR FAN MOTOR (Mod 12539JE-12K-BA, DC12V .21A)	1
27	C2194684	POWER CORD, 14AWG/NEMA 5-15P	1
28	H02315	REAR WALL SPACER	2
29	N/A	MAIN TOP	1
30	N/A	MAIN TOP BRACKET	2
31	HC3347	CONDENSER COIL	1
32	H00341	FILTER DRIER	1
33	N/A	DRIER SUPPORT	1
34	H00120	MOTOR, CONDENSER FAN 5W, 115VAC	1
35	H00123	FAN GUARD BLACK, CONDENSER	1
36	HC0125	EVAPORATE PIPE	1
37	BC30911	CONDENSER WATER BOX	1
38	H00033F	COMPRESSOR KIT, EM2X3121U + FILTER DRYER	1
38	H00033K	START KIT FOR EM2X3121U	
39	HC0137	SUCTION PIPE	1
40	N/A	BRACKET	1
41	H00215	TERMINAL BLOCK, 5 POLE	1
42	N/A	COVER	1
43	N/A	CONDENSER PANEL	1
44	H03342	PILASTER	2
45	H01308	SHELF	1
46	H01342	PILASTER	2
47	C3234860	PILASTER CLIP	4
48	C02327	HINGE, TOP RIGHT	1
49	H108300029	BUSHING	3
50	HC2326	GASKET, DOOR	1
51	HC3323	Door	1
52	H104070144	POWER SUPPLY	1



UF48-HC

Parts List for UF48-HC

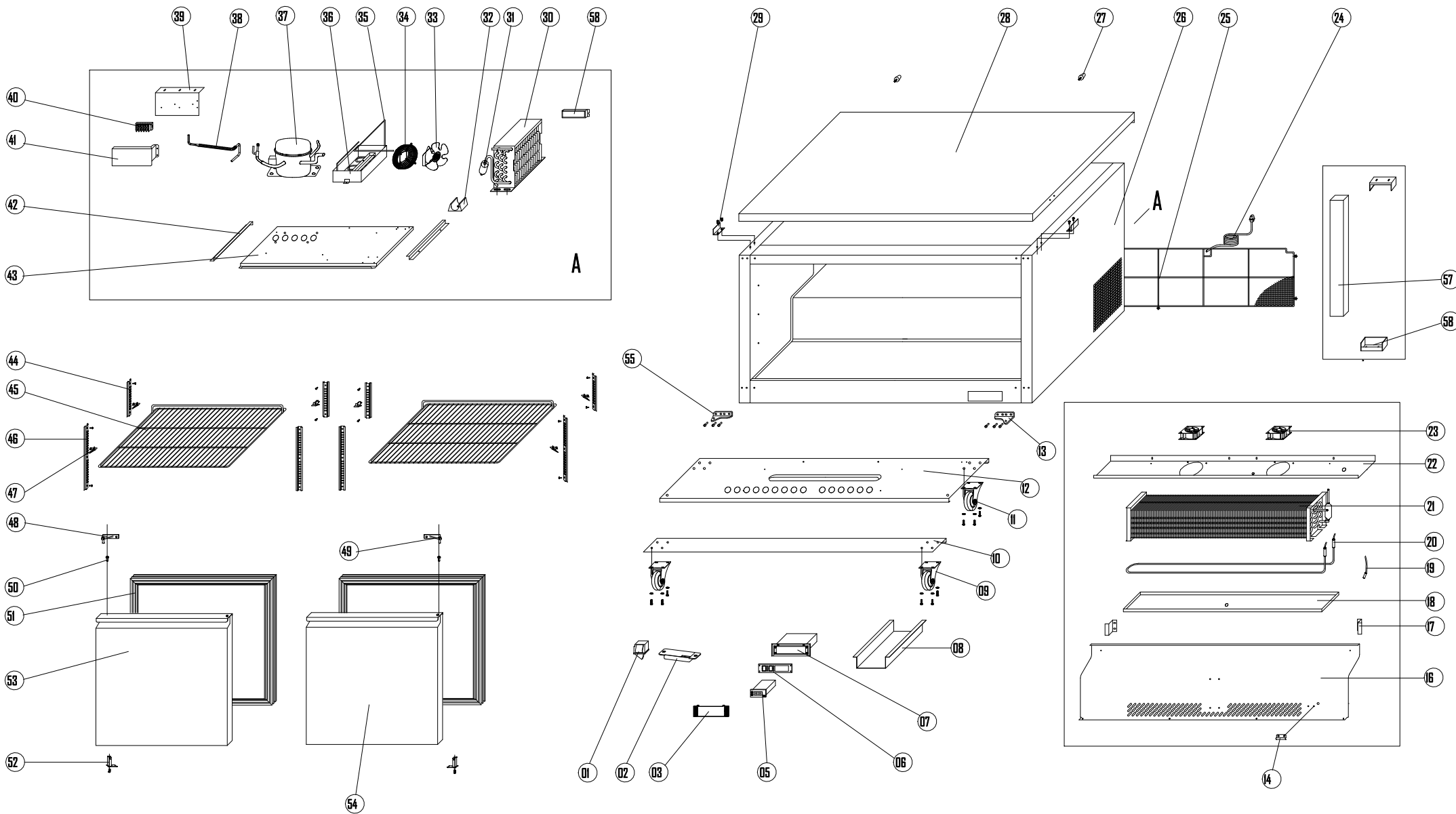
NO.	PART #	DESCRIPTION	QTY
1	HC0381	THERMOSTAT COVER	1
3	H00204	CONTROLLER, FREEZER DIXELL XR60C	1
3	H00205	TEMPERATURE SENSOR (NTC)	2
4	N/A	THERMOSTAT MOUNTING BOARD	1
5	H00335	SENSOR CLIP	1
7	H03152	EVAPORATOR COVER	1
8	N/A	MOUNTING BRACKET	2
9	H01143	EVAPORATOR DRAIN PAN (36.25" X 5" X 1")	1
10	H00207	FUSE, THERMAL, DEFROST HEATER	1
11	HC1203	DEFROST HEATING ELEMENT	1
12	HC1354F	EVAPORATOR COIL	1
13	HC1359	EVAPORATOR FAN SUPPORT	1
14	HC0117	EVAPORATOR FAN MOTOR (Mod 12539JE-12K-BA, DC12V .21A)	2
15	H01317	CASTER 2.5" DIAMETER WHEEL, WITH OUT BRAKE	2
16	C02327RB	HINGE, LOWER RIGHT	1
17	N/A	BODY	1
18	N/A	MAIN TOP BRACKET	2
19	H01315	REAR MACHINE COMPARTMENT COVER	1
20	C2194684	POWER CORD, 14AWG/NEMA 5-15P	1
21	H02315	REAR WALL SPACER	2
22	N/A	MAIN TOP	1
23	HC0348	CONDENSER	1
24	H00341	FILTER DRIER	1
25	H00120	MOTOR, CONDENSER FAN 5W, 115VAC	1
26	H00113-1	FAN GUARD, CONDENSER	1
27	HC0127	EVAPORATE PIPE	1
28	C30012	CONDENSER DRAIN BOX	1
29	H00039F	COMPRESSOR KIT, EM2X3125U + FILTER DRYER	1
29	H00228	START KIT FOR EM2X3125U	
30	HC0139	SUCTION PIPE	1
31	N/A	BRACKET	1
32	H00215	TERMINAL BLOCK, 5 POLE	1
33	N/A	COVER	1
34	N/A	GUIDE RIGHT/LEFT	1
35	N/A	CONDENSING PANEL	1
36	H03342	PILASTER	4
37	H01309	SHELF, LEFT AND RIGHT	2
38	H01342	PILASTER	4
39	C3234860	PILASTER CLIP	8
40	C01327	HINGE, TOP LEFT	1
41	C02327	HINGE, TOP RIGHT	1
42	H108300029	BUSHING	2
43	H00328-2	HINGE CARTRIDGE, SELF CLOSING	2
44	HC1324	DOOR, LEFT OR RIGHT, 48" AFTER SN 1807	1
45	HC2325	GASKET, DOOR	2
46	HC1324	DOOR, LEFT OR RIGHT, 48" AFTER SN 1807	1
47	HC10000	DOOR SWITCH	2
48	HC10001	DOOR SWITCH CAST	1
49	N/A	THERMOSTAT BOX	1
50	N/A	WIRE CHANEL	1
51	H01316	CASTER 2.5" DIAMETER WHEEL, WITH BRAKE	2
52	N/A	CASTER SUPPORT CHANEL	1
53	N/A	MAIN BASE PANEL	1
54	C01327LB	HINGE, LOWER LEFT	1
55	N/A	GUIDE RIGHT/LEFT	2
56	N/A	DRIER SUPPORT	1
57	HC00020	CENTER MULLION	1
57	HC00114	MULLION BRACKET	2
58	HC00115	CENTER MULLION BRACKET	2
59	H104070144	POWER SUPPLY	1



UR48-HC

Parts List for UR48-HC

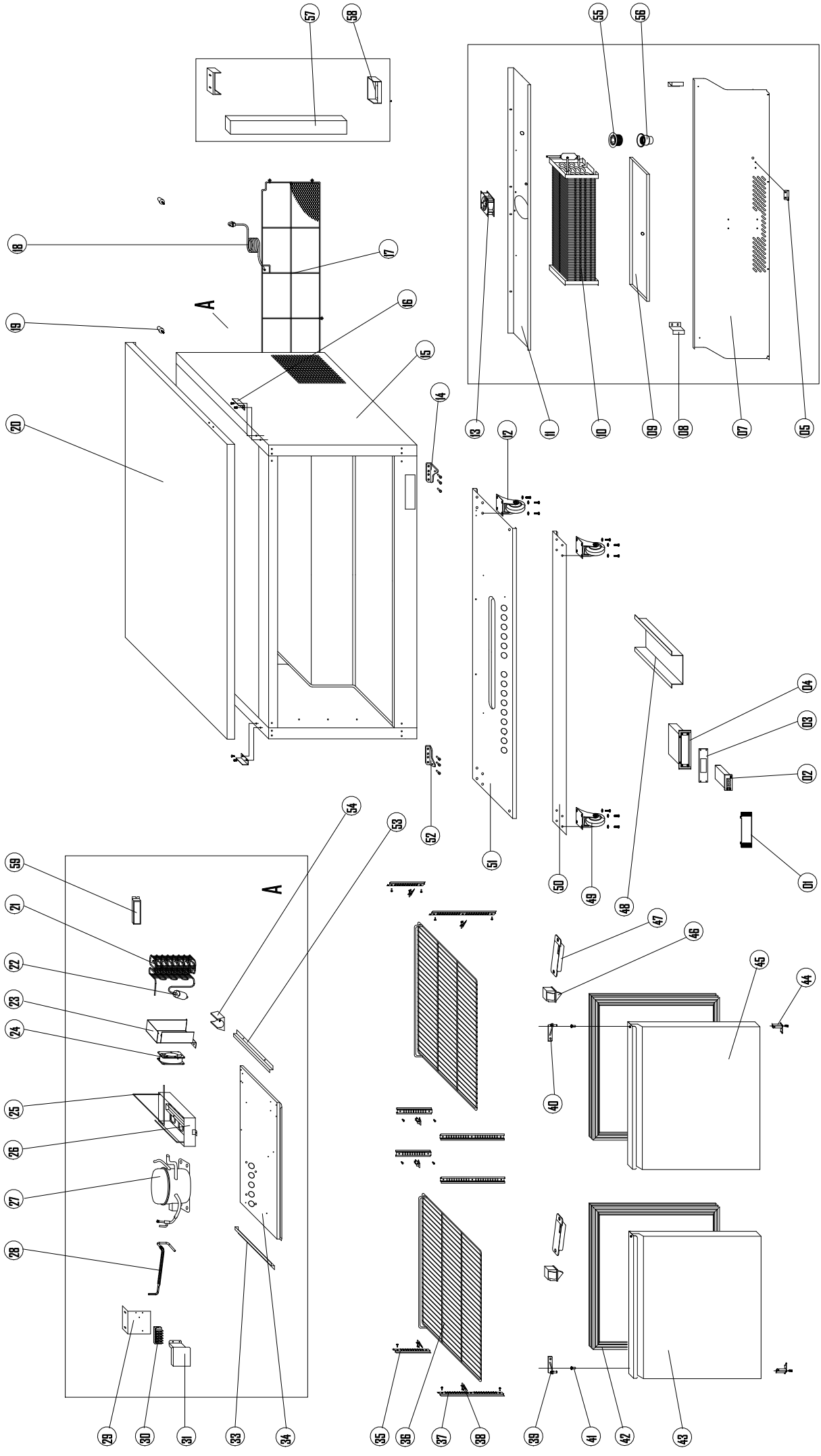
NO.	PART #	DESCRIPTION	QTY
1	HC0381	THERMOSTAT COVER	1
2	H00219	CONTROLLER, REFRIGERATOR DIXELL XR20C	1
2	H00205	TEMPERATURE SENSOR (NTC)	2
3	N/A	THERMOSTAT MOUNTING BOARD	1
4	N/A	THERMOSTAT BOX	1
5	H00335	SENSOR CLIP	1
7	H03152	EVAPORATOR COVER	1
8	N/A	MOUNTING BRACKET	2
9	H03142	EVAPORATOR DRAIN PANE	1
10	HC1350R	EVAPORATOR COIL	1
11	H01135	EVAPORATOR FAN SUPPORT (48)	1
12	H01317	CASTER 2.5" DIAMETER WHEEL, WITH OUT BRAKE	2
13	HC0117	EVAPORATOR FAN MOTOR (Mod 12539JE-12K-BA, DC12V .21A)	1
14	C02327RB	HINGE, LOWER RIGHT	1
15	N/A	BODY	1
16	N/A	MAIN TOP BRACKET	2
17	H01315	REAR MACHINE COMPARTMENT COVER	1
18	C2194684	POWER CORD, 14AWG/NEMA 5-15P	1
19	H02315	REAR WALL SPACER	1
20	N/A	MAIN TOP	1
21	HC2347	CONDENSER COIL	1
22	H00341	FILTER DRIER	1
23	N/A	CONDENSER COVER	1
24	H01110	MOTOR, EVAPORATOR FAN	1
25	HC0126	EVAPORATE PIPE	1
26	C30004	CONDENSER DRAIN PAN	1
27	H00034F	COMPRESSOR KIT, HDL140D + FILTER DRYER	1
27	H000227	START KIT FOR HDL140D	
28	HC0138	SUCTION PIPE	1
29	N/A	BRACKET	1
30	H00215	TERMINAL BLOCK, 5 POLE	1
31	N/A	COVER	1
33	N/A	GUIDE RIGHT/LEFT	1
34	N/A	CONDENSING PANEL	1
35	H03342	PILASTER	4
36	H01309	SHELF, LEFT AND RIGHT	2
37	H01342	PILASTER	4
38	C3234860	PILASTER CLIP	8
39	C01327	HINGE, TOP LEFT	1
40	C02327	HINGE, TOP RIGHT	1
41	H108300029	BUSHING	2
42	HC2325	GASKET, DOOR	2
43	HC1324	DOOR, LEFT OR RIGHT, 48" AFTER SN 1807	1
44	H00328-2	HINGE CARTRIDGE, SELF CLOSING	2
45	HC1324	DOOR, LEFT OR RIGHT, 48" AFTER SN 1807	1
46	HC10000	DOOR SWITCH	2
47	HC10001	DOOR SWITCH CAST	2
48	N/A	WIRE CHANEL	1
49	H01316	CASTER 2.5" DIAMETER WHEEL, WITH BRAKE	2
50	N/A	CASTER SUPPORT CHANEL	1
51	N/A	MAIN BASE PANEL	1
52	C01327LB	HINGE, LOWER LEFT	1
53	N/A	GUIDE RIGHT/LEFT	2
54	N/A	DRIER SUPPORT	1
55	G30002	DRAIN PIPE (FEMALE)	1
56	G30001	DRAIN PIPE (MALE)	1
57	HC00020	CENTER MULLION	1
58	HC00115	CENTER MULLION BRACKET	2
59	H104070144	POWER SUPPLY	1



UF61-HC

Parts List for UF61-HC

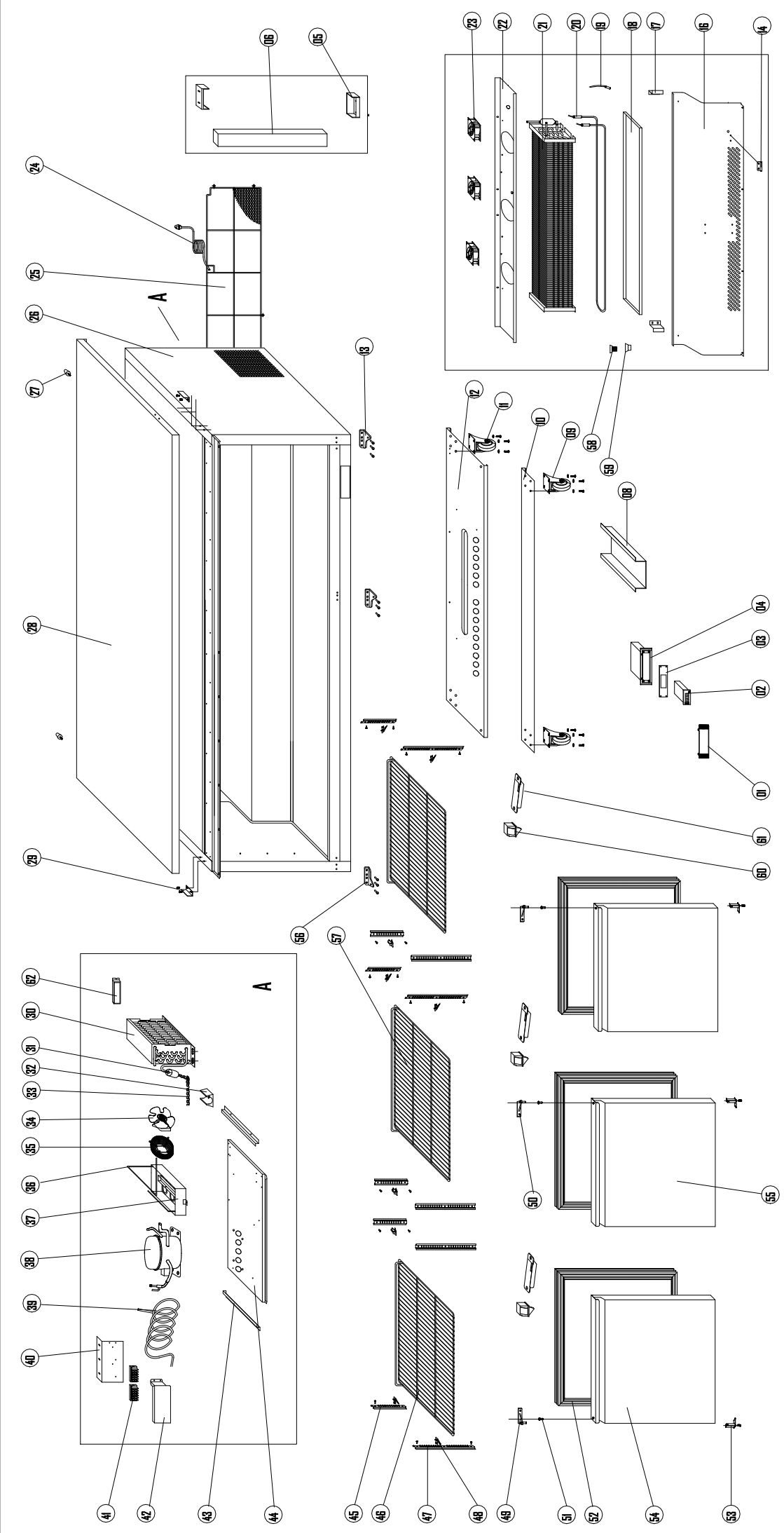
NO.	PART #	DESCRIPTION	QTY
1	HC10000	DOOR SWITCH	2
2	HC10001	DOOR SWITCH CAST	1
3	HC0381	THERMOSTAT COVER	1
5	H00204	CONTROLLER, FREEZER DIXELL XR60C	1
5	H00205	TEMPERATURE SENSOR (NTC)	2
6	N/A	THERMOSTAT MOUNTING BOARD	1
7	N/A	THERMOSTAT BOX	1
8	N/A	WIRE CHANEL	1
9	H01316	CASTER 2.5" DIAMETER WHEEL, WITH BRAKE	2
10	N/A	CASTER SUPPORT CHANEL	1
11	H01317	CASTER 2.5" DIAMETER WHEEL, WITH OUT BRAKE	2
12	N/A	GUIDE RIGHT/LEFT	1
13	C02327RB	HINGE, LOWER RIGHT	1
14	H00335	SENSOR CLIP	1
16	H03154	EVAPORATOR COVER	1
17	N/A	MOUNTING BRACKET	2
18	H01144	EVAPORATOR DRAIN PAN (43.3" X 5" X 1")	1
19	H00207	FUSE, THERMAL, DEFROST HEATER	1
20	HC1202	DEFROST HEATING ELEMENT	1
21	HC1353F	EVAPORATOR COIL	1
22	HC1360	EVAPORATOR FAN SUPPORT	1
23	HC0117	EVAPORATOR FAN MOTOR (Mod 12539JE-12K-BA, DC12V .21A)	1
24	C2194684	POWER CORD, 14AWG/NEMA 5-15P	1
25	H02313	REAR MACHINE COMPARTMENT COVER	1
26	N/A	BODY	1
27	H02315	REAR WALL SPACER	2
28	N/A	MAIN TOP	1
29	N/A	MAIN TOP BRACKET	2
30	HC0348	CONDENSER	1
31	H00341	FILTER DRIER	1
32	N/A	DRIER SUPPORT	1
33	H00120	MOTOR, CONDENSER FAN 5W, 115VAC	1
34	H00113-1	FAN GUARD, CONDENSER	1
35	HC0128	EVAPORATE PIPE	1
36	C30012	CONDENSER DRAIN BOX	1
37	H00037F	COMPRESSOR KIT, NEU2140U + FILTER DRYER	1
37	H00037K	START KIT FOR NEU2140U	
38	HC0152	SUCTION PIPE	1
39	N/A	BRACKET	1
40	H00215	TERMINAL BLOCK, 5 POLE	1
41	N/A	COVER	1
42	N/A	GUIDE RIGHT/LEFT	1
42	N/A	GUIDE RIGHT/LEFT	2
43	N/A	CONDENSING PANEL	1
44	H03342	PILASTER	4
45	H01310	SHELF, LEFT AND RIGHT	2
46	H01342	PILASTER	4
47	C3234860	PILASTER CLIP	8
48	HC2323	DOOR, LEFT OR RIGHT, 60" AFTER SN 1807	1
49	HC2323	DOOR, LEFT OR RIGHT, 60" AFTER SN 1807	1
50	H108300029	BUSHING	2
51	HC1326	GASKET, DOOR	1
52	H00328-2	HINGE CARTRIDGE, SELF CLOSING	2
53	HC2323L	DOOR, LEFT	1
54	HC2323R	DOOR, RIGHT	1
55	C01327LB	HINGE, LOWER LEFT	1
56	HC00020	CENTER MULLION	1
56	HC00114	MULLION BRACKET	2
57	HC00115	CENTER MULLION BRACKET	2
58	H104070144	POWER SUPPLY	1



UR61-HC

Parts List for UR61-HC

NO.	PART #	DESCRIPTION	QTY
1	HC0381	THERMOSTAT COVER	1
2	H00219	CONTROLLER, REFRIGERATOR DIXELL XR20C	1
2	H00205	TEMPERATURE SENSOR (NTC)	2
3	N/A	THERMOSTAT MOUNTING BOARD	1
4	N/A	THERMOSTAT BOX	1
5	H00335	SENSOR CLIP	1
7	H03155	EVAPORATOR COVER	1
8	N/A	MOUNTING BRACKET	2
9	H03142	EVAPORATOR DRAIN PANE	1
10	HC1352R	EVAPORATOR COIL	1
11	H01137	EVAPORATOR FAN SUPPORT (60)	1
12	H01317	CASTER 2.5" DIAMETER WHEEL, WITH OUT BRAKE	2
13	HC0117	EVAPORATOR FAN MOTOR (Mod 12539JE-12K-BA, DC12V .21A)	1
14	C02327RB	HINGE, LOWER RIGHT	1
15	N/A	BODY	1
16	N/A	MAIN TOP BRACKET	2
17	H02313	REAR MACHINE COMPARTMENT COVER	1
18	C2194684	POWER CORD, 14AWG/NEMA 5-15P	1
19	H02315	REAR WALL SPACER	2
20	N/A	MAIN TOP	1
21	HC2347	CONDENSER COIL	1
22	H00341	FILTER DRIER	1
23	N/A	CONDENSER COVER	1
24	H01110	MOTOR, EVAPORATOR FAN	1
25	HC0126	EVAPORATE PIPE	1
26	C30012	CONDENSER DRAIN BOX	1
27	H00034F	COMPRESSOR KIT, HDL140D + FILTER DRYER	1
27	H000227	START KIT FOR HDL140D	
28	HC0150	SUCTION PIPE	1
29	N/A	BRACKET	1
30	H00215	TERMINAL BLOCK, 5 POLE	1
31	N/A	COVER	1
33	N/A	GUIDE RIGHT/LEFT	1
34	N/A	CONDENSING PANEL	1
35	H03342	PILASTER	4
36	H01310	SHELF, LEFT AND RIGHT	2
37	H01342	PILASTER	4
38	C3234860	PILASTER CLIP	8
39	C01327	HINGE, TOP LEFT	1
40	C02327	HINGE, TOP RIGHT	1
41	H108300029	BUSHING	2
42	HC1326	GASKET, DOOR	2
43	HC2323	DOOR, LEFT OR RIGHT, 60" AFTER SN 1807	1
44	H00328-2	HINGE CARTRIDGE, SELF CLOSING	2
45	HC2323	DOOR, LEFT OR RIGHT, 60" AFTER SN 1807	1
46	HC10000	DOOR SWITCH	2
47	HC10001	DOOR SWITCH CAST	2
48	N/A	WIRE CHANEL	1
49	H01316	CASTER 2.5" DIAMETER WHEEL, WITH BRAKE	2
50	N/A	CASTER SUPPORT CHANEL	1
51	N/A	MAIN BASE PANEL	1
52	C01327LB	HINGE, LOWER LEFT	1
53	N/A	GUIDE RIGHT/LEFT	2
54	N/A	DRIER SUPPORT	1
55	G30002	DRAIN PIPE (FEMALE)	1
56	G30001	DRAIN PIPE (MALE)	1
57	HC00020	CENTER MULLION	1
58	HC00115	CENTER MULLION BRACKET	2
59	H104070144	POWER SUPPLY	1

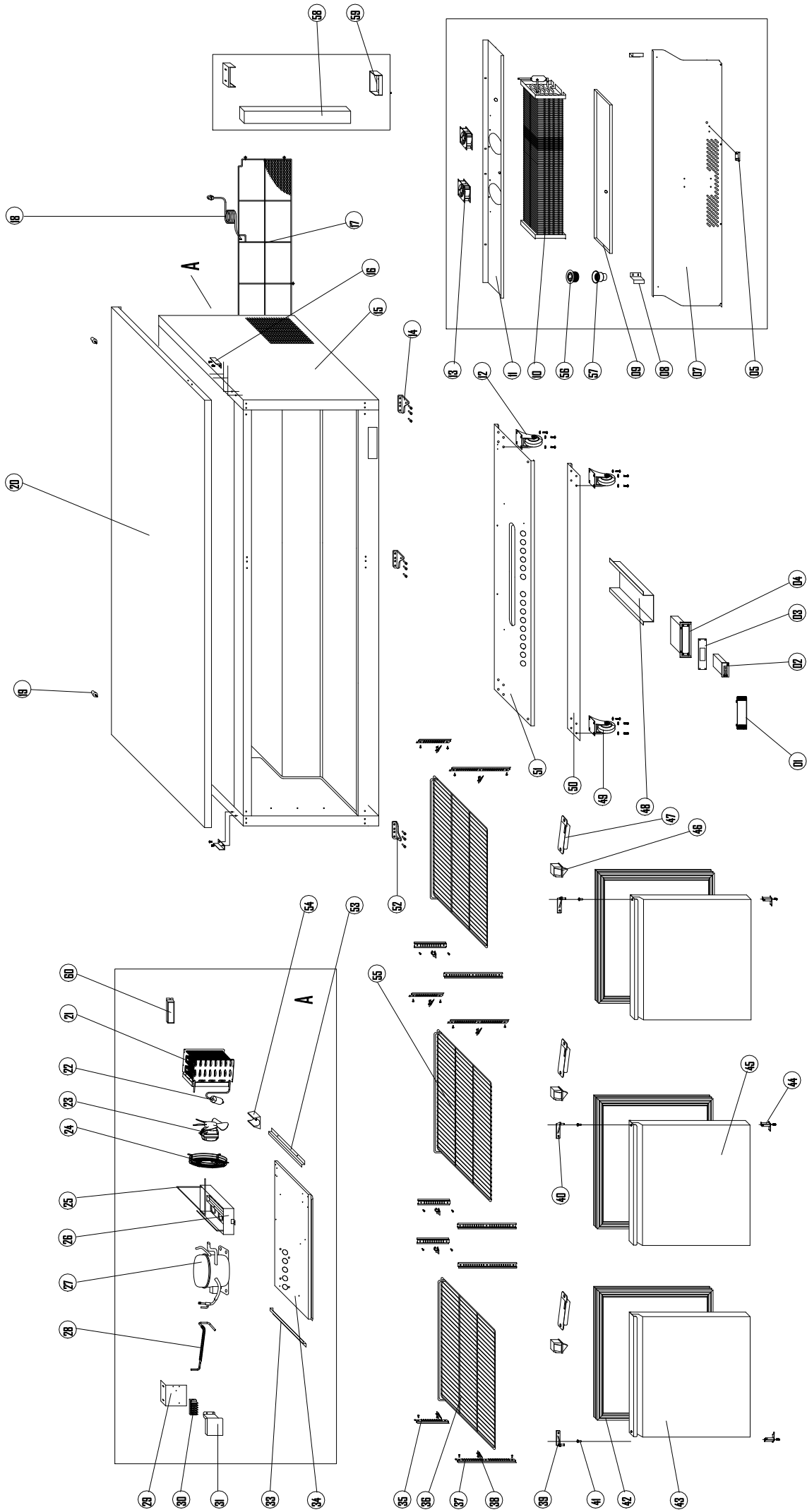


UF72-HC

Parts List for UF72-HC

NO.	PART #	DESCRIPTION	QTY
1	HC0381	THERMOSTAT COVER	1
2	H00204	CONTROLLER, FREEZER DIXELL XR60C	1
2	H00205	TEMPERATURE SENSOR (NTC)	2
3	N/A	THERMOSTAT MOUNTING BOARD	1
4	N/A	THERMOSTAT BOX	1
5	HC00020	CENTER MULLION	2
5	HC00114	MULLION BRACKET	2
6	HC00115	CENTER MULLION BRACKET	4
8	N/A	WIRE CHANEL	1
9	H01316	CASTER 2.5" DIAMETER WHEEL, WITH BRAKE	2
10	N/A	CASTER SUPPORT CHANEL	1
11	H01317	CASTER 2.5" DIAMETER WHEEL, WITH OUT BRAKE	2
12	N/A	MAIN BASE PANEL	1
13	C02327RB	HINGE, LOWER RIGHT	2
14	H00335	SENSOR CLIP	1
16	H03159	EVAPORATOR COVER	1
17	N/A	MOUNTING BRACKET	2
18	H01357	EVAPORATOR DRAIN PAN	1
19	H00207	FUSE, THERMAL, DEFROST HEATER	1
20	HC1204	DEFROST HEATING ELEMENT	1
21	H01355Q	EVAPORATOR COIL	1
22	HC1358	EVAPORATOR FAN SUPPORT (72)	1
23	HC0117	EVAPORATOR FAN MOTOR (Mod 12539JE-12K-BA, DC12V .21A)	3
24	C2194684	POWER CORD, 14AWG/NEMA 5-15P	1
25	H02313-72	REAR MACHINE COMPARTMENT COVER	1
26	N/A	BODY	1
27	H02315	REAR WALL SPACER	2
28	N/A	MAIN TOP	1
29	N/A	MAIN TOP BRACKET	2
30	HC0348	CONDENSER	1
31	H00341	FILTER DRIER	1
32	N/A	DRIER SUPPORT	1
33	H00302	CAPILLARY TUBE .055 ID X 169.3" L	1
34	H00120	MOTOR, CONDENSER FAN 5W, 115VAC	1
35	H00113-1	FAN GUARD, CONDENSER	1
36	HC0128	EVAPORATE PIPE	1
37	C30012	CONDENSER DRAIN BOX	1
38	HC0010F	COMPRESSOR (NEU2155U) W/ FILTER DRIER	1
38	HC0010K	START KIT FOR NEU2155U	
39	HC0130	SUCTION PIPE	1
40	N/A	BRACKET	1
41	H00215	TERMINAL BLOCK, 5 POLE	2
42	N/A	COVER	1
43	N/A	GUIDE RIGHT/LEFT	1
43	N/A	GUIDE RIGHT/LEFT	2
44	N/A	CONDENSING PANEL	1
45	H03342	PILASTER	6
46	H01309	SHELF, LEFT AND RIGHT	2
47	H01342	PILASTER	6
48	C3234860	PILASTER CLIP	12
49	C01327	HINGE, TOP LEFT	1
50	C02327	HINGE, TOP RIGHT	2
51	H108300029	BUSHING	3
52	HC2325	GASKET, DOOR	3
53	H00328-2	HINGE CARTRIDGE, SELF CLOSING	3
54	HC1324	DOOR, LEFT OR RIGHT, 48" AFTER SN 1807	1
55	HC1324	DOOR, LEFT OR RIGHT, 48" AFTER SN 1807	2
56	C01327LB	HINGE, LOWER LEFT	1
57	H01312	MIDDLE SHELF	1
58	G30001	DRAIN PIPE (MALE)	1
59	G30002	DRAIN PIPE (FEMALE)	1
60	HC10000	DOOR SWITCH	3
61	HC10001	DOOR SWITCH CAST	1
62	H104070144	POWER SUPPLY	1

UR72-HC



Parts List for UR72-HC

NO.	PART #	DESCRIPTION	QTY
1	HC0381	THERMOSTAT COVER	1
2	H00219	CONTROLLER, REFRIGERATOR DIXELL XR20C	1
2	H00205	TEMPERATURE SENSOR (NTC)	2
3	N/A	THERMOSTAT MOUNTING BOARD	1
4	N/A	THERMOSTAT BOX	1
5	H00335	SENSOR CLIP	1
7	H03158	EVAPORATOR COVER	1
8	N/A	MOUNTING BRACKET	2
9	HC1148	EVAPORATOR WATER PANE	1
10	HC1355R	EVAPORATOR COIL	1
11	H01415	EVAPORATOR FAN SUPPORT	1
12	H01317	CASTER 2.5" DIAMETER WHEEL, WITH OUT BRAKE	2
13	HC0117	EVAPORATOR FAN MOTOR (Mod 12539JE-12K-BA, DC12V .21A)	2
14	C02327RB	HINGE, LOWER RIGHT	2
15	N/A	BODY	1
16	N/A	MAIN TOP BRACKET	2
17	H02313-72	REAR MACHINE COMPARTMENT COVER	1
18	C2194684	POWER CORD, 14AWG/NEMA 5-15P	1
19	H02315	REAR WALL SPACER	2
20	N/A	MAIN TOP	1
21	HC3347	CONDENSER COIL	1
22	H00341	FILTER DRIER	1
23	H00120	MOTOR, CONDENSER FAN 5W, 115VAC	1
24	H00123	FAN GUARD BLACK, CONDENSER	1
25	HC0126	EVAPORATE PIPE	1
26	C30004	CONDENSER DRAIN PAN	1
27	H00038F	COMPRESSOR KIT, NUG45LR + FILTER DRYER	1
27	H00038K	START KIT FOR NUG45LR	
28	HC0153	Suction Pipe	1
29	N/A	BRACKET	1
30	H00215	TERMINAL BLOCK, 5 POLE	1
31	N/A	COVER	1
33	N/A	GUIDE RIGHT/LEFT	1
34	N/A	CONDENSING PANEL	1
35	H03342	PILASTER	6
36	H01309	SHELF, LEFT AND RIGHT	2
37	H01342	PILASTER	6
38	C3234860	PILASTER CLIP	12
39	C01327	HINGE, TOP LEFT	1
40	C02327	HINGE, TOP RIGHT	2
41	H108300029	BUSHING	3
42	HC2325	GASKET, DOOR	2
43	HC1324	DOOR, LEFT OR RIGHT, 48" AFTER SN 1807	1
44	H00328-2	HINGE CARTRIDGE, SELF CLOSING	3
45	HC1324	DOOR, LEFT OR RIGHT, 48" AFTER SN 1807	2
46	HC10000	DOOR SWITCH	3
47	HC10001	DOOR SWITCH CAST	3
48	N/A	WIRE CHANEL	1
49	H01316	CASTER 2.5" DIAMETER WHEEL, WITH BRAKE	2
50	N/A	CASTER SUPPORT CHANEL	1
51	N/A	MAIN BASE PANEL	1
52	C01327LB	HINGE, LOWER LEFT	1
53	N/A	GUIDE RIGHT/LEFT	2
54	N/A	DRIER SUPPORT	1
55	H01312	MIDDLE SHELF	1
56	G30002	DRAIN PIPE (FEMALE)	1
57	G30001	DRAIN PIPE (MALE)	1
58	HC00020	CENTER MULLION	1
59	HC00115	CENTER MULLION BRACKET	2
60	H104070144	POWER SUPPLY	1



For Tech Support or Parts Call:

1-704-900-2068

Website: <http://www.entree.biz>