



Entrée Glass Door Reach-In Models:

ERB1X-G

ERB2X-G

ERB3X-G

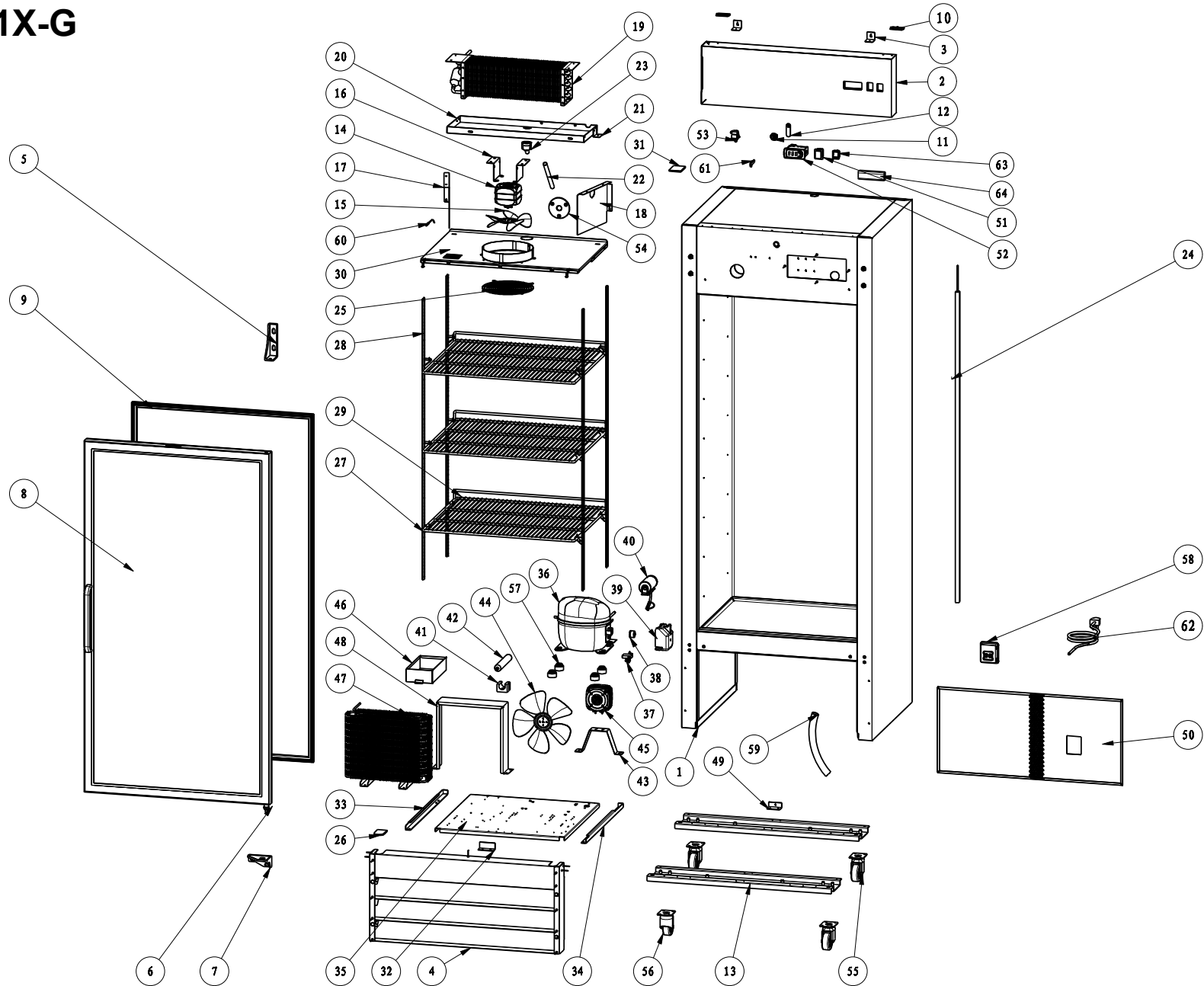
EFB1X-G

EFB2X-G



PHONE: 704-900-2068
Website: www.entree.biz

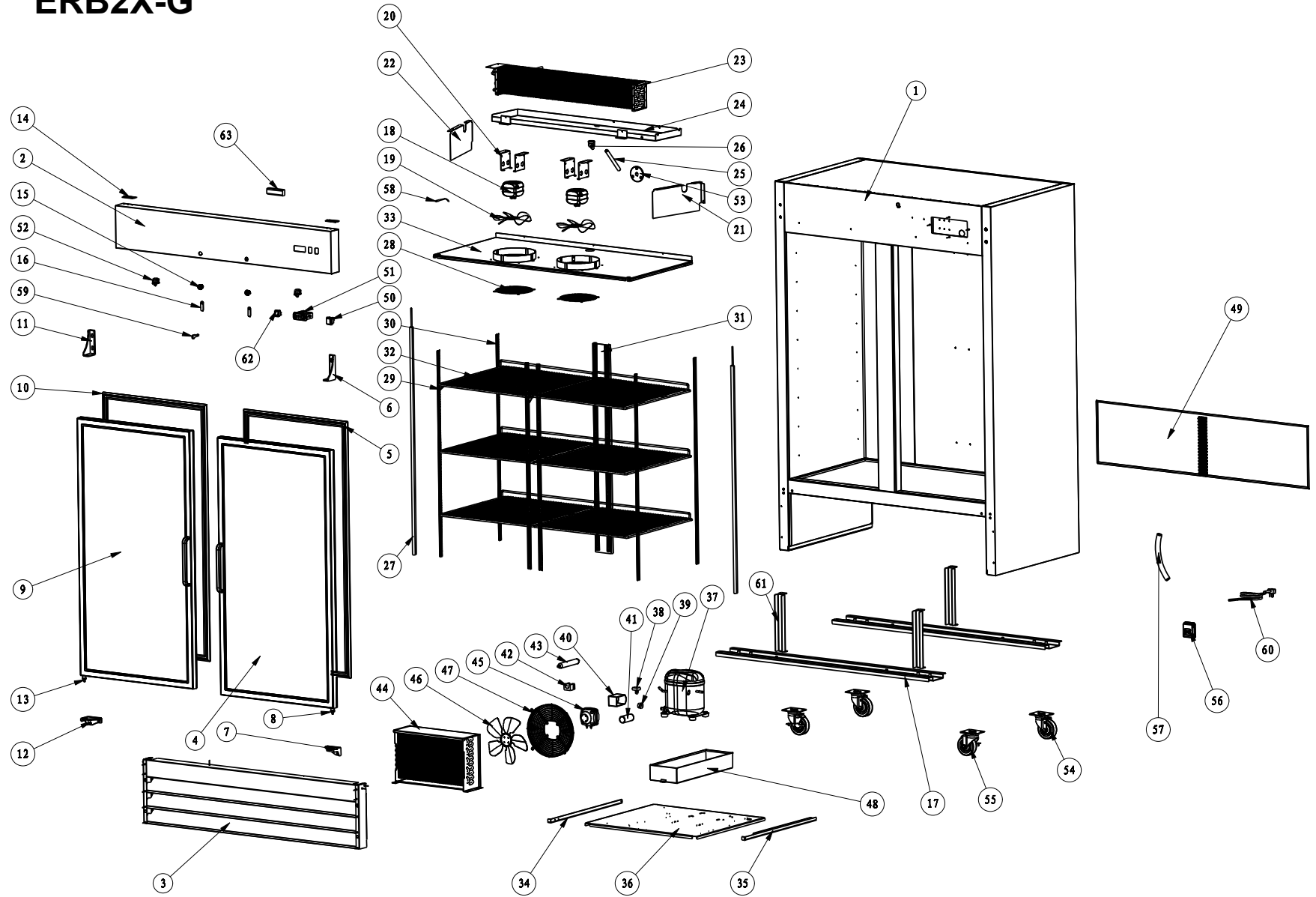
ERB1X-G



MODEL NO: ERB1X-G

No.	PART #	DESCRIPTION	QTY
1	NON-STOCKING	CABINET	1
2	X2199001390	UPPER SHROUD (1GD) (ENTRÉE)	1
2	X2199001390C	UPPER SHROUD (1GD) CENTAUR PLUS VERSION	1
2	X2199001390K	UPPER SHROUD (1GD) KINTERA VERSION	1
3	NON-STOCKING	CONTROL PANEL FIXER	2
4	X2199001374	LOWER FRONT SHOUD (1 DOOR) (ENTRÉE)	1
4	X2199001374C	LOWER FRONT SHOUD (1 DOOR) (CENTAUR PLUS)	1
4	X2199001374K	LOWER FRONT SHOUD (1 DOOR) (KINTERA)	1
5	XX-URH005-G	HINGE UPPER RIGHT (GLASS DOOR)	1
6	XRI0085-G	HINGE AXIS	1
7	XX-BRH005-G	HINGE, BOTTOM RIGHT	1
8	XRI0067	DOOR (GLASS)	1
9	XRI0040-G	DOOR GASKET (GLASS DOOR)	1
10	XRI0084	UPPER SHROUD HINGE	2
11	XX-H00340	LOCK	1
12	XX-H00343	LOCK BOLT	1
13	NON-STOCKING	LEG SUPPORTER	2
14	XRI0083	EVAPORATOR FAN MOTOR	1
15	XEFMB023	EVAPORATOR FAN MOTOR BLADE	1
16	NON-STOCKING	EVAPORATOR FAN MOTOR HOLDER	1
17	NON-STOCKING	RIGHT AIR GUIDE SHEET	1
18	NON-STOCKING	LEFT AIR GUIDE SHEET	1
19	XRI0029	EVAPORATOR	1
20	XRI0086	INNER DRAIN PAN	1
21	NON-STOCKING	INNER DRAIN PAN FIXER	1
22	XRI0071	DRAIN HOSE	1
23	XRI0074	ELBOW PIPE	1
24	X17740410071	LED LIGHT	1
25	XRI0076	EVAP FAN MOTOR COVER	1
26	XRI0003	BOTTOM COVER FOR REVERSIBLE DOOR	1
27	X5302000003	PILASTER CLIP	12
28	XRI0005	K_STRIP	4
29	XRI0058	SHELF	3
30	XRI0080	EVAPORATOR COVER	1
31	XRI0061	TOP COVER FOR REVERSIBLE DOOR	1
32	NON-STOCKING	LIMITED BLOCK OF INSTALLATION BOARD	1
33	NON-STOCKING	LEFT TRACK FOR ASSEMBLING PANEL	1
34	NON-STOCKING	RIGHT TRACK FOR ASSEMBLING PANEL	1
35	NON-STOCKING	COMPRESSOR UNIT INSTALLATION BOARD	1
36	XX-HC0001	COMPRESSOR (EM2X3117U/115V/60HZ/R290)	1
36	XX-STARTKITHC1	START KIT (EM2X3117U/115V/60HZ/R290)	1
37	SEE START KIT	SEE START KIT	1
38	SEE START KIT	OVERLOAD PROTECTOR	1
39	NON-STOCKING	SPLICE BOX	1
40	SEE START KIT	START CAPACITOR	1
41	NON-STOCKING	FILTER FIXER	1
	X250009	CAP TUBE (0.035" I.D X 98.5" L) (**NOT SHOWN)	1
42	XX-H00341	FILTER	1
43	NON-STOCKING	CONDENSER FAN MOTOR HOLDER	1
44	XRI0015	CONDENSER FAN MOTOR BLADE	1
45	XRI0012	CONDENSER FAN MOTOR	1
46	XRI0090	OUTER DRAIN PAN	1
47	XRI0008	CONDENSER	1
48	NA	AIR GUIDE SHEET	1
49	NON-STOCKING	BACK GRILL FIXER	1
50	XRI0002	BACK GRILL (1 DOOR)	1
51	XRI0056	POWER SWITCH	1
52	XRI0060	THERMOSTAT	1
53	X-2194677	DOOR SWITCH	1
54	XRI0073	DRAIN PLUG	1
55	XX-SC0317	4" CASTER	2
56	XX-SCB316	4" CASTER WITH BRAKE	2
57	NON-STOCKING	COMPRESSPR FASTENER	4
58	NON-STOCKING	POWER PLUG FITTING BASE	1
59	XRI0024	DRAIN HOSE	1
60	X17649490016	TEMPERATURE SENSOR (NTC 9.8') (BLUE)	1
61	XX-H00357	KEY	1
62	XRI0054	POWER CORD, NEMA 5-15P (8')	1
63	X17749180002	LED LIGHT SWITCH	1
64	X22753530009	LED POWER SUPPLY	1

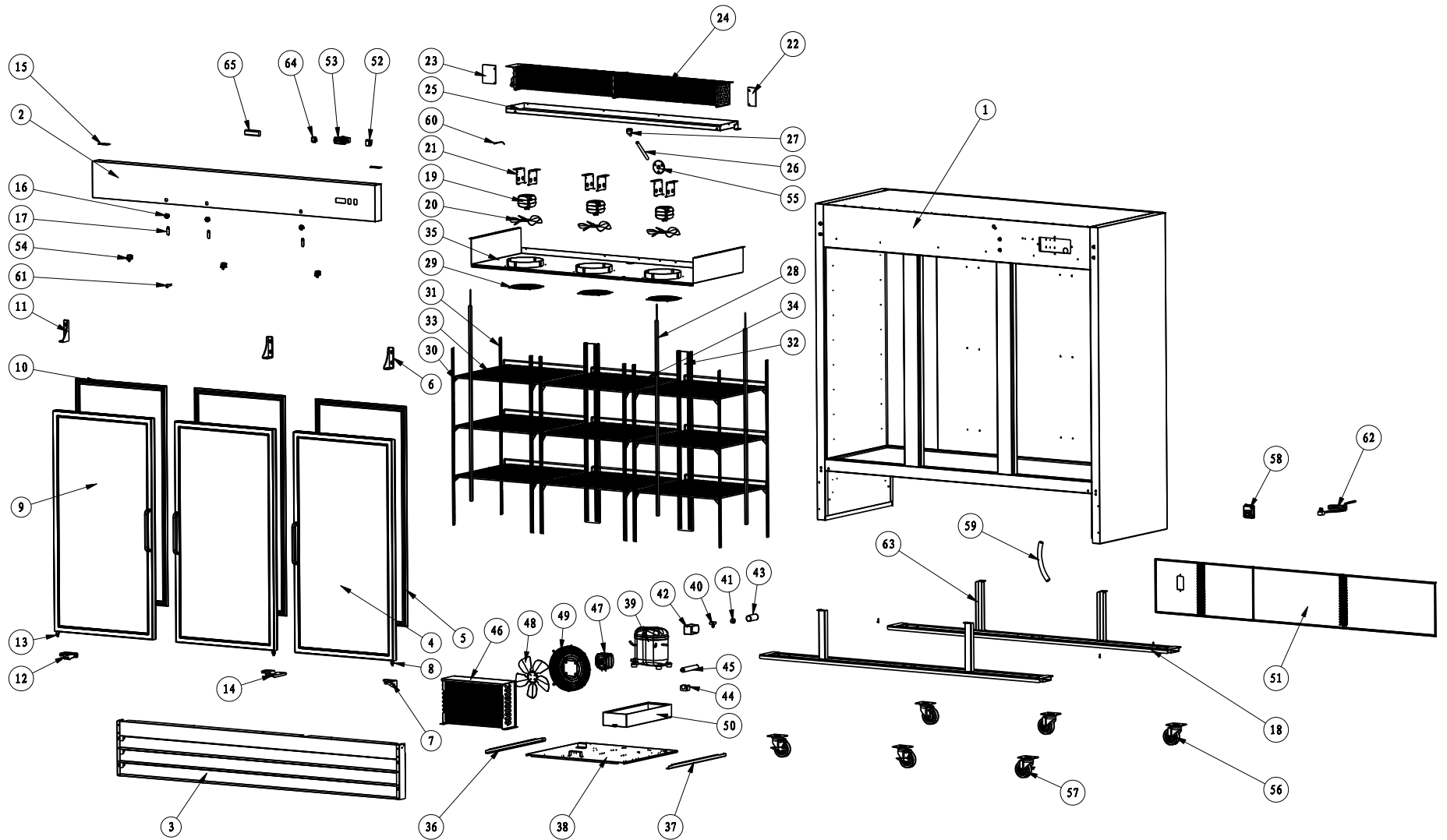
ERB2X-G



MODEL NO: ERB2X-G

No.	PART #	DESCRIPTION	QTY
1	NON-STOCKING	CABINET	1
2	X2199001449	UPPER SHROUD (2GD)	1
2	X2199001449C	UPPER SHROUD (2GD) (CENTAUR PLUS)	1
2	X2199001449K	UPPER SHROUD (2GD) (KINTERA)	1
3	X2199001395	LOWER FRONT SHROUD (2 DOOR)	1
3	X2199001395C	LOWER FRONT SHROUD (2 DOOR) (CENTAUR PLUS)	1
3	X2199001395K	LOWER FRONT SHROUD (2 DOOR) (KINTERA)	1
4	XRI0065	DOOR RIGHT GLASS	1
5	XRI0040-G	DOOR GASKET (GLASS DOOR)	1
6	XX-URH005-G	HINGE UPPER RIGHT (GLASS DOOR)	1
7	XX-BRH005-G	HINGE, BOTTOM RIGHT	1
8	XRI0085-G	HINGE AXIS	1
9	XRI0068	DOOR LEFT (GLASS)	1
10	XRI0040-G	DOOR GASKET (GLASS DOOR)	1
11	XX-ULH001-G	HINGE UPPER LEFT (GLASS DOOR)	1
12	XX-BLH004-G	HINGE BOTTOM LEFT (GLASS DOOR)	1
13	XRI0085-G	HINGE AXIS	1
14	XRI0084	UPPER SHROUD HINGE	2
15	XX-H00340	LOCK	2
16	XX-H00343	LOCK BOLT	2
17	NON-STOCKING	LEG SUPPORTER	2
18	XRI0083	EVAPORATOR FAN MOTOR	2
19	XEFMB023	EVAPORATOR FAN MOTOR BLADE	2
20	NON-STOCKING	EVAPORATOR FAN MOTOR HOLDER	2
21	NON-STOCKING	RIGHT AIR GUIDE SHEET	1
22	NON-STOCKING	LEFT AIR GUIDE SHEET	1
23	XRI0030	EVAPORATOR	1
24	XRI0087	INNER DRAIN PAN	1
25	XRI0071	DRAIN HOSE	1
26	XRI0074	ELBOW PIPE	1
27	X17740410071	LED LIGHT	2
28	XRI0076	EVAP FAN MOTOR COVER	2
29	X5302000003	PILASTER CLIP	24
30	XRI0005	K_STRIP	8
31	XRI0001	BACK BRACKETS	1
32	XRI0058	SHELF	6
33	XRI0081	EVAPORATOR COVER	1
34	NON-STOCKING	LEFT TRACK FOR ASSEMBLING PANEL	1
35	NON-STOCKING	RIGHT TRACK FOR ASSEMBLING PANEL	1
36	NON-STOCKING	COMPRESSOR UNIT INSTALLATION BOARD	1
37	XX-HC0003	COMPRESSOR (EM2X3125U/115V/60HZ/R290)	1
37	XX-STARTKITHC2	START KIT (EM2X3125U/115V/60HZ/R290)	*
38	SEE START KIT	SEE START KIT	1
39	SEE START KIT	OVERLOAD PROTECTOR	1
40	NON-STOCKING	SPLICE BOX	1
41	SEE START KIT	START CAPACITOR	1
42	NON-STOCKING	FILTER FIXER	1
	X300012	CAP TUBE (0.047" I.D. X 118" L) (**NOT SHOWN)	1
43	XX-H00341	FILTER	1
44	XRI0007	CONDENSER	1
45	XRI0014	CONDENSER FAN MOTOR	1
46	XRI0015	CONDENSER FAN MOTOR BLADE	1
47	X22726010003	CONDENSER FAN COVER	1
48	XRI0089	OUTER DRAIN PAN	1
49	XRI0006	BACK GRILL (2 DOOR)	1
50	XRI0056	POWER SWITCH	1
51	XRI0060	THERMOSTAT	1
52	X-2194677	DOOR SWITCH	2
53	XRI0073	DRAIN PLUG	1
54	XX-SC0317	4" CASTER	2
55	XX-SCB316	4" CASTER WITH BRAKE	2
56	NON-STOCKING	POWER PLUG FITTING BASE	1
57	XRI0024	DRAIN HOSE	1
58	X17649490016	TEMPERATURE SENSOR (NTC 9.8') (BLUE)	1
59	XX-H00357	KEY	2
60	XRI0054	POWER CORD, NEMA 5-15P (8')	1
61	NON-STOCKING	CABINET SUPPORTER	3
62	X17749180002	LED LIGHT SWITCH	1
63	X22753530009	LED POWER SUPPLY	1

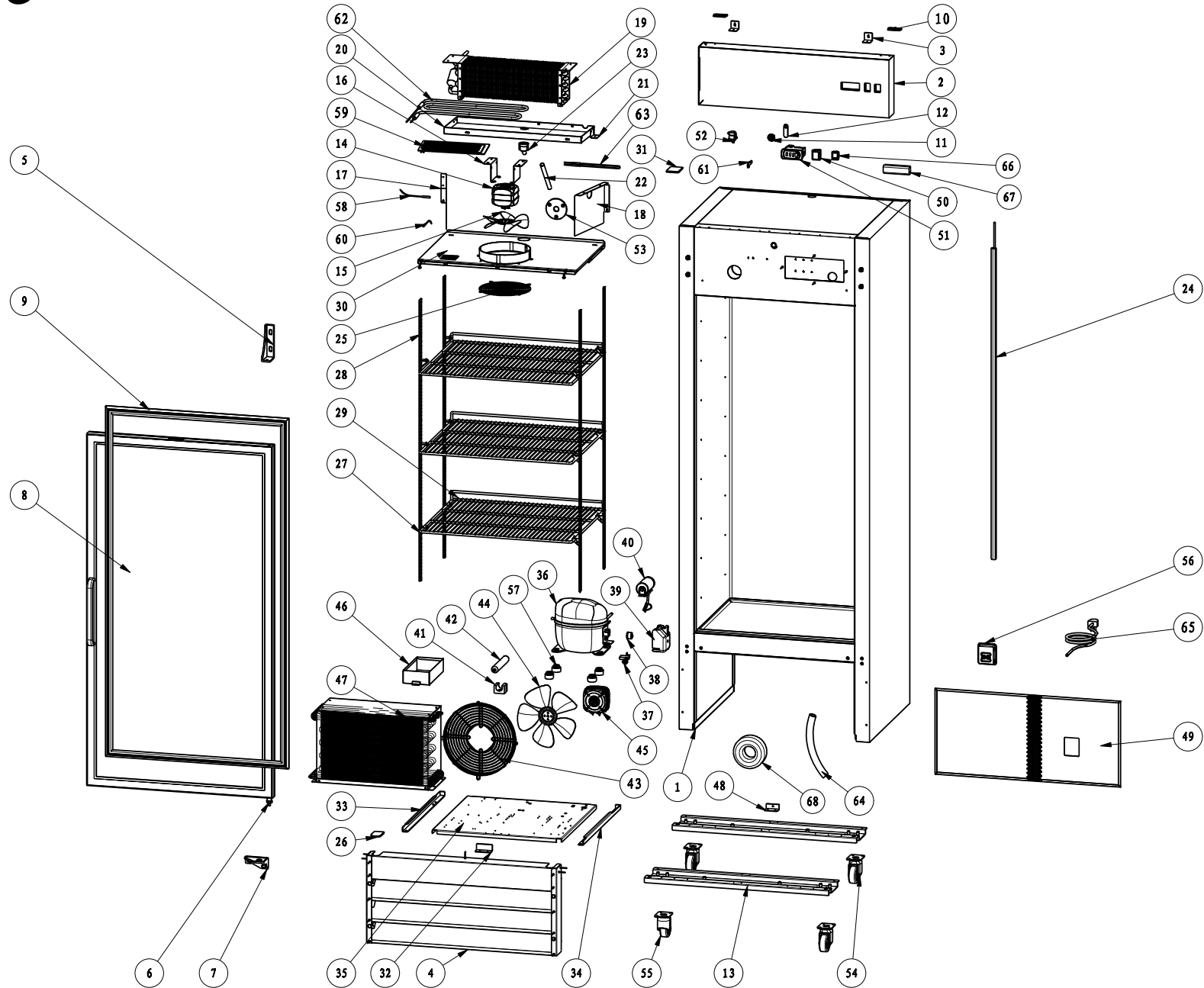
ERB3X-G



MODEL NO: ERB3X-G

No.	PART #	DESCRIPTION	QTY
1	NON-STOCKING	CABINET	1
2	X2199001457	UPPER SHROUD (3GD)	1
2	X2199001457C	UPPER SHROUD (3GD) (CENTAUR PLUS)	1
2	X2199001457K	UPPER SHROUD (3GD) (KINTERA)	1
3	X2199001413	LOWER FRONT SHROUD (3 DOOR)	1
3	X2199001413C	LOWER FRONT SHROUD (3 DOOR) (CENTAUR PLUS)	1
3	X2199001413K	LOWER FRONT SHROUD (3 DOOR) (KINTERA)	1
4	XRI0065	DOOR RIGHT GLASS	2
5	XRI0040-G	DOOR GASKET (GLASS DOOR)	2
6	XX-URH005-G	HINGE UPPER RIGHT (GLASS DOOR)	2
7	XX-BRH005-G	HINGE, BOTTOM RIGHT	2
8	XRI0085-G	HINGE AXIS	2
9	XRI0068	DOOR LEFT (GLASS)	1
10	XRI0040-G	DOOR GASKET (GLASS DOOR)	1
11	XX-ULH001-G	HINGE UPPER LEFT (GLASS DOOR)	1
12	XX-BLH004-G	HINGE BOTTOM LEFT (GLASS DOOR)	1
13	XRI0085-G	HINGE AXIS	1
14	XX-BMH001	HINGE MIDDLE BOTTOM	1
15	XRI0084	UPPER SHROUD HINGE	2
16	XX-H00340	LOCK	3
17	XX-H00343	LOCK BOLT	3
18	NON-STOCKING	LEG SUPPORTER	2
19	XRI0083	EVAPORATOR FAN MOTOR	3
20	XEFMB023	EVAPORATOR FAN MOTOR BLADE	3
21	NON-STOCKING	EVAPORATOR FAN MOTOR HOLDER	3
22	NON-STOCKING	RIGHT AIR GUIDE SHEET	1
23	NON-STOCKING	LEFT AIR GUIDE SHEET	1
24	XRI0031	EVAPORATOR	1
25	XRI0088	INNER DRAIN PAN	1
26	XRI0071	DRAIN HOSE	1
27	XRI0074	ELBOW PIPE	1
28	X17740410071	LED LIGHT	3
29	XRI0076	EVAP FAN MOTOR COVER	3
30	X5302000003	PILASTER CLIP	32
31	XRI0005	K_STRIP	12
32	XRI0001	BACK BRACKETS	2
33	XRI0058	SHELF	6
34	XRI0050	SHELF, MIDDLE	3
35	XRI0082	EVAPORATOR COVER	1
36	NON-STOCKING	LEFT TRACK FOR ASSEMBLING PANEL	1
37	NON-STOCKING	RIGHT TRACK FOR ASSEMBLING PANEL	1
38	NON-STOCKING	COMPRESSOR UNIT INSTALLATION BOARD	1
39	XX-HC0005	COMPRESSOR (NEU6214U/115V/60HZ/R290)	1
39	XX-STARTKITHC4	START KIT (NEU6214U/115V/60HZ/R290)	*
40	SEE START KIT	SEE START KIT	1
41	SEE START KIT	OVERLOAD PROTECTOR	1
42	NON-STOCKING	SPLICE BOX	1
43	SEE START KIT	START CAPACITOR	1
44	NON-STOCKING	FILTER FIXER	1
	X240014	CAP TUBE (0.055 I.D. X 94.5"L) (**NOT SHOWN)	1
45	XX-H00341	FILTER	1
46	X17307110433	CONDENSER	1
47	XRI0014	CONDENSER FAN MOTOR	1
48	XRI0017	CONDENSER FAN MOTOR BLADE	1
49	X22726010004	CONDENSER FAN COVER	1
50	XRI0089	OUTER DRAIN PAN	1
51	XRI0064	BACK GRILL (3 DOOR)	1
52	XRI0056	POWER SWITCH	1
53	XRI0060	THERMOSTAT	1
54	X-2194677	DOOR SWITCH	3
55	XRI0073	DRAIN PLUG	1
56	XX-SC0317	4" CASTER	3
57	XX-SCB316	4" CASTER WITH BRAKE	3
58	NON-STOCKING	POWER PLUG FITTING BASE	1
59	XRI0024	DRAIN HOSE	1
60	X17649490016	TEMPERATURE SENSOR (NTC 9.8') (BLUE)	1
61	XX-H00357	KEY	3
62	XRI0054	POWER CORD, NEMA 5-15P (8')	1
63	NON-STOCKING	CABINET SUPPORTER	4
64	X17749180002	LED LIGHT SWITCH	1
65	X22753530010	LED POWER SUPPLY	1

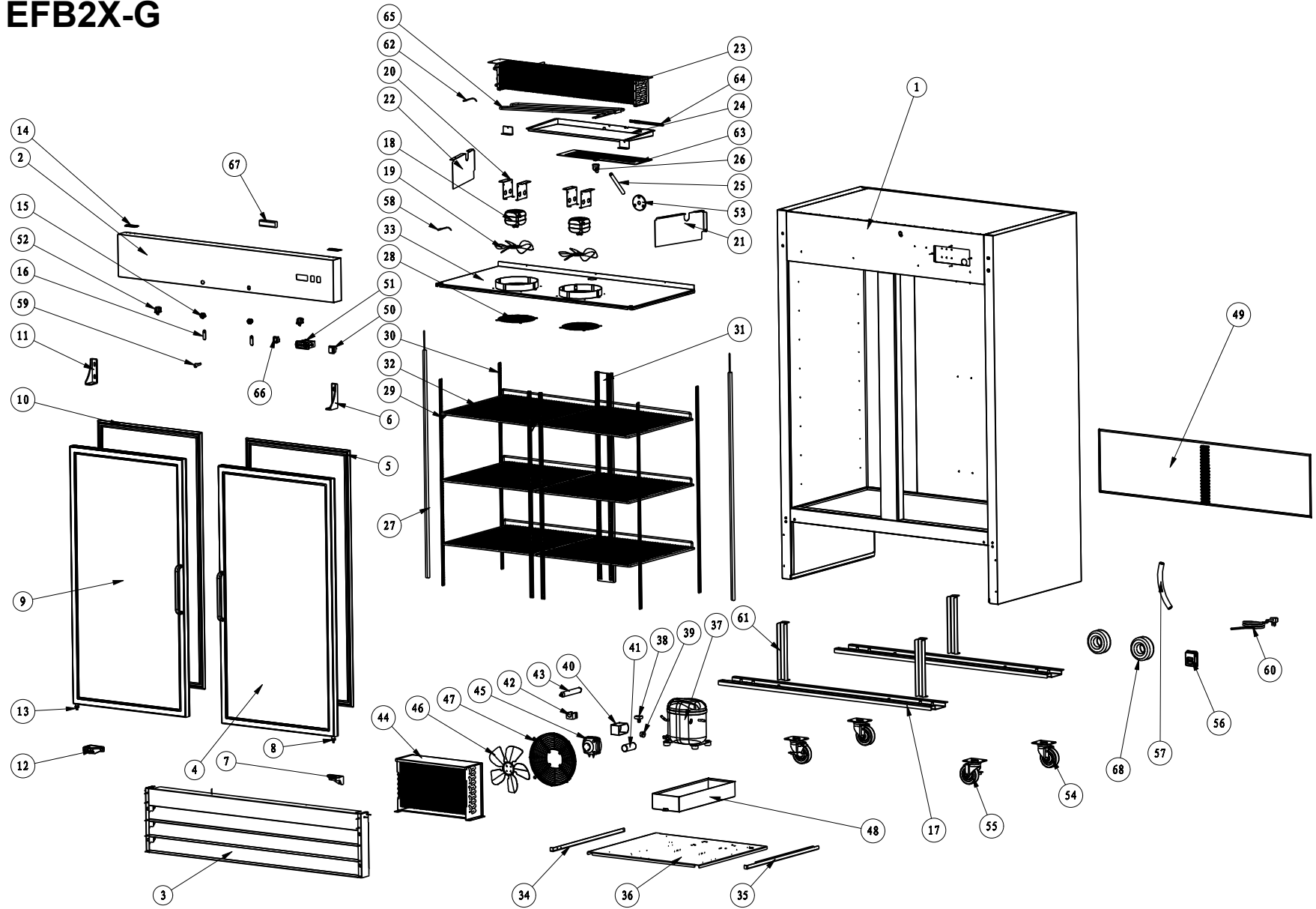
EFB1X-G



MODEL: EFB1X-G

No.	PART #	DESCRIPTION	QTY
1	NON-STOCKING	CABINET	1
2	X2199001390	UPPER SHROUD (1GD) (ENTRÉE)	1
2	X2199001390C	UPPER SHROUD (1GD) CENTAUR PLUS VERSION	1
2	X2199001390K	UPPER SHROUD (1GD) KINTERA VERSION	1
3	NON-STOCKING	CONTROL PANEL FIXER	2
4	X2199001374	LOWER FRONT SHOUD (1 DOOR) (ENTRÉE)	1
4	X2199001374C	LOWER FRONT SHOUD (1 DOOR) (CENTAUR PLUS)	1
4	X2199001374K	LOWER FRONT SHOUD (1 DOOR) (KINTERA)	1
5	XX-URH005-G	HINGE UPPER RIGHT (GLASS DOOR)	1
6	XRI0085-G	HINGE AXIS	1
7	XX-BRH005-G	HINGE, BOTTOM RIGHT	1
8	XRI0070	DOOR, (GLASS - FREEZER)	1
9	XRI0040-G	DOOR GASKET (GLASS DOOR)	1
10	XRI0084	UPPER SHROUD HINGE	2
11	XX-H00340	LOCK	1
12	XX-H00343	LOCK BOLT	1
13	NON-STOCKING	LEG SUPPORTER	2
14	XRI0083	EVAPORATOR FAN MOTOR	1
15	XEFMB023	EVAPORATOR FAN MOTOR BLADE	1
16	NON-STOCKING	EVAPORATOR FAN MOTOR HOLDER	1
17	NON-STOCKING	RIGHT AIR GUIDE SHEET	1
18	NON-STOCKING	LEFT AIR GUIDE SHEET	1
19	XRI0077	EVAPORATOR	1
20	XRI0086	INNER DRAIN PAN	1
21	NON-STOCKING	INNER DRAIN PAN FIXER	1
22	XRI0071	DRAIN HOSE	1
23	XRI0074	ELBOW PIPE	1
24	X17740410071	LED LIGHT	1
25	XRI0076	EVAP FAN MOTOR COVER	1
26	XRI0003	BOTTOM COVER FOR REVERSIBLE DOOR	1
27	X5302000003	PILASTER CLIP	12
28	XRI0005	K_STRIP	4
29	XRI0058	SHELF	3
30	XRI0080	EVAPORATOR COVER	1
31	XRI0061	TOP COVER FOR REVERSIBLE DOOR	1
32	NON-STOCKING	LIMITED BLOCK OF INSTALLATION BOARD	1
33	NON-STOCKING	LEFT TRACK FOR ASSEMBLING PANEL	1
34	NON-STOCKING	RIGHT TRACK FOR ASSEMBLING PANEL	1
35	NON-STOCKING	COMPRESSOR UNIT INSTALLATION BOARD	1
36	XX-HC0007	COMPRESSOR (NLE10CN/115V/60HZ/R290)	1
36	XX-STARTKITHC7	START KIT	*
37	SEE START KIT	SEE START KIT	1
38	SEE START KIT	OVERLOAD PROTECTOR	1
39	NON-STOCKING	SPLICE BOX	1
40	SEE START KIT	START CAPACITOR	1
41	NON-STOCKING	FILTER FIXER	1
	X400010	CAP TUBE (0.039" I.D. X 157.5"L) (**NOT SHOWN)	1
42	XX-H00341	FILTER	1
43	X22726010003	CONDENSER FAN COVER	1
44	XRI0015	CONDENSER FAN MOTOR BLADE	1
45	XRI0012	CONDENSER FAN MOTOR	1
46	XRI0090	OUTER DRAIN PAN	1
47	XRI0007	CONDENSER	1
48	NON-STOCKING	BACK GRILL FIXER	1
49	XRI0002	BACK GRILL (1 DOOR)	1
50	XRI0056	POWER SWITCH	1
51	XRI0059	THERMOSTAT	1
52	X-2194677	DOOR SWITCH	1
53	XRI0073	DRAIN PLUG	1
54	XX-SC0317	4" CASTER	2
54	X15740260003	VACUUM BREAKER	1
55	XX-SCB316	4" CASTER WITH BRAKE	2
56	NON-STOCKING	POWER PLUG FITTING BASE	1
57	NON-STOCKING	COMPRESSPR FASTENER	4
58	X17649490016	TEMPERATURE SENSOR (NTC 9.8") (BLUE)	1
59	XRI0026	DRAIN PAN HEATER	1
60	XRI0038	EVAPORATOR TEMPERATURE SENSOR (BLACK 118")	1
61	XX-H00357	KEY	1
62	XRI0021	DEFROST HEATER	1
63	XRI0025	DRAIN HOSE HEATER (0.48M-10W-115V)	1
64	XRI0024	DRAIN HOSE	1
65	XRI0054	POWER CORD, NEMA 5-15P (8')	1
66	X17749180002	LED LIGHT SWITCH	1
67	X22753530009	LED POWER SUPPLY	1
68	X22753530010	LED POWER SUPPLY	1

EFB2X-G



MODEL: EFB2X-G

No.	PART #	DESCRIPTION	QTY
1	NON-STOCKING	CABINET	1
2	X2199001449	UPPER SHROUD (2GD)	1
2	X2199001449C	UPPER SHROUD (2GD) (CENTAUR PLUS)	1
2	X2199001449K	UPPER SHROUD (2GD) (KINTERA)	1
3	X2199001395	LOWER FRONT SHROUD (2 DOOR)	1
3	X2199001395C	LOWER FRONT SHROUD (2 DOOR) (CENTAUR PLUS)	1
3	X2199001395K	LOWER FRONT SHROUD (2 DOOR) (KINTERA)	1
4	XRI0066	DOOR RIGHT GLASS	1
5	XRI0040-G	DOOR GASKET (GLASS DOOR)	1
6	XX-URH005-G	HINGE UPPER RIGHT (GLASS DOOR)	1
7	XX-BRH005-G	HINGE, BOTTOM RIGHT	1
8	XRI0085-G	HINGE AXIS	1
9	XRI0069	DOOR LEFT (GLASS)	1
10	XRI0040-G	DOOR GASKET (GLASS DOOR)	1
11	XX-ULH001-G	HINGE UPPER LEFT (GLASS DOOR)	1
12	XX-BLH004-G	HINGE BOTTOM LEFT (GLASS DOOR)	1
13	XRI0085-G	HINGE AXIS	1
14	XRI0084	UPPER SHROUD HINGE	2
15	XX-H00340	LOCK	2
16	XX-H00343	LOCK BOLT	2
17	NON-STOCKING	LEG SUPPORTER	2
18	XRI0083	EVAPORATOR FAN MOTOR	2
19	XEFMB023	EVAPORATOR FAN MOTOR BLADE	2
20	NON-STOCKING	EVAPORATOR FAN MOTOR HOLDER	2
21	NON-STOCKING	RIGHT AIR GUIDE SHEET	1
22	NON-STOCKING	LEFT AIR GUIDE SHEET	1
23	XRI0078	EVAPORATOR	1
24	XRI0087	INNER DRAIN PAN	1
25	XRI0071	DRAIN HOSE	1
26	XRI0074	ELBOW PIPE	1
27	X17740410071	LED LIGHT	2
28	XRI0076	EVAP FAN MOTOR COVER	2
29	X5302000003	PILASTER CLIP	24
30	XRI0005	K_STRIP	8
31	XRI0001	BACK BRACKETS	1
32	XRI0058	SHELF	6
33	XRI0081	EVAPORATOR COVER	1
34	NON-STOCKING	LEFT TRACK FOR ASSEMBLING PANEL	1
35	NON-STOCKING	RIGHT TRACK FOR ASSEMBLING PANEL	1
36	NON-STOCKING	COMPRESSOR UNIT INSTALLATION BOARD	1
37	XX-HC0006	COMPRESSOR (NT2180UV/115V/60HZ/R290)	1
37	XX-STARTKITHC3	START KIT	*
38	SEE START KIT	SEE START KIT	1
39	SEE START KIT	OVERLOAD PROTECTOR	1
40	NON-STOCKING	SPLICE BOX	1
41	SEE START KIT	START CAPACITOR	1
42	NON-STOCKING	FILTER FIXER	1
	X300012	CAP TUBE (0.047" I.D. X 118"L) (**NOT SHOWN)	1
43	XX-H00341	FILTER	1
44	XRI0007	CONDENSER	1
45	XRI0014	CONDENSER FAN MOTOR	1
46	XRI0017	CONDENSER FAN MOTOR BLADE	1
47	X22726010004	CONDENSER FAN COVER	1
48	XRI0089	OUTER DRAIN PAN	1
49	XRI0006	BACK GRILL (2 DOOR)	1
50	XRI0056	POWER SWITCH	1
51	XRI0059	THERMOSTAT	1
52	X-2194677	DOOR SWITCH	2
53	XRI0073	DRAIN PLUG	1
53	X15740260003	VACUUM BREAKER	1
54	XX-SC0317	4" CASTER	2
55	XX-SCB316	4" CASTER WITH BRAKE	2
56	NON-STOCKING	POWER PLUG FITTING BASE	1
57	XRI0024	DRAIN HOSE	1
58	X17649490016	TEMPERATURE SENSOR (NTC 9.8') (BLUE)	1
59	XX-H00357	KEY	2
60	XRI0054	POWER CORD, NEMA 5-15P (8')	1
61	NON-STOCKING	CABINET SUPPORTER	3
62	XRI0036	EVAPORATOR TEMPERATURE SENSOR (BLACK 60")	1
63	XRI0027	DRAIN PAN HEATER	1
64	XRI0025	DRAIN HOSE HEATER (0.48M-10W-115V)	1
65	XRI0022	DEFROST HEATER	1
66	X17749180002	LED LIGHT SWITCH	1
67	X22753530009	LED POWER SUPPLY	1
68	X22753530010	LED POWER SUPPLY	2



For Tech Support or Parts Call:
1-704-900-2068

Website: <https://www.entree.biz>