



# PARTS LIST

## FOR SANDWICH PREP HC (R290):

Model	Model	Size
S29-HC	S29-MT-HC	29" Unit
S48-HC	S48-MT-HC	48" Unit
S61-HC	S61-MT-HC	60" Unit
S72-HC	S72-MT-HC	72" Unit



The serial number breakdown:

Example: 1809ENTQ00123

The first two numbers are the Year, 18 = 2018

The second two numbers are the Month, 09 = September

ENT = Entrée

The fourth alpha character will note the Freon Type on the HC Models.

Q = R290, B = R600

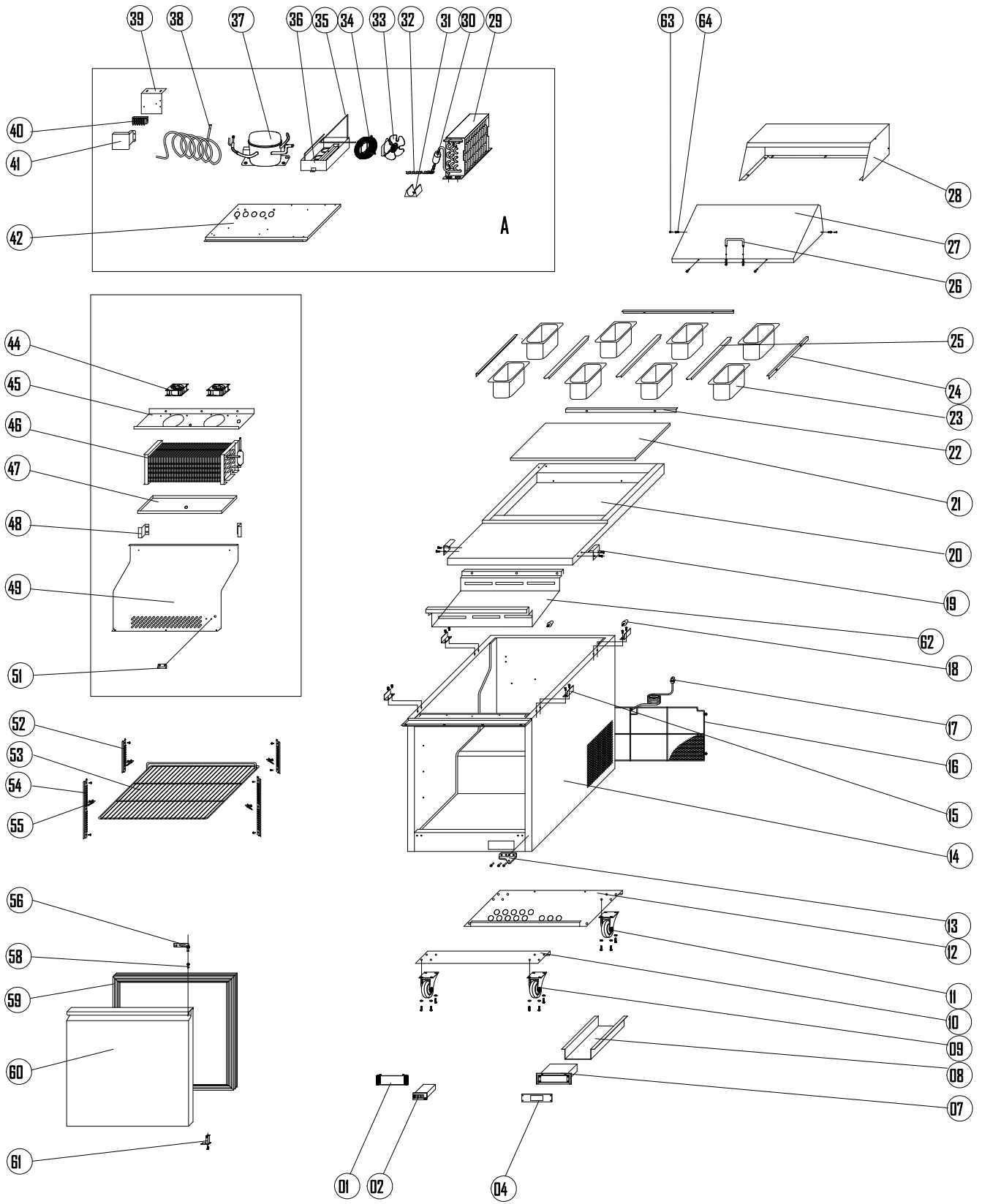
The last FIVE numbers are the numerical sequence of units built that month. In the example this unit would have been the one hundred twenty third unit.

To order parts that are non-warranty, you can contact our parts distributor, 704-900-2068, option #2.

# Specs:

Model	Doors	Capacity (cu.ft)	Shelves	Pans	Cabinet Dim (inches)			HP	Voltage	Amps	NEMA Plug	Cord Length	Crated Weight
					L	D	H						
S29-HC	1	7	1	8 (1/6)	28.9	31.0	43.3	1/3	115/60/1	3	5-15P	10	276
S48-HC	2	12	2	12 (1/6)	48.2	31.0	43.3	1/2	115/60/1	4.3	5-15P	10	313
S61-HC	2	15.5	2	16 (1/6)	61.2	31.0	43.3	1/2	115/60/1	4.3	5-15P	10	362
S72-HC	3	18	6	18 (1/6)	71.1	29.9	43.2	1/2	115/60/1	4.3	5-15P	10	408

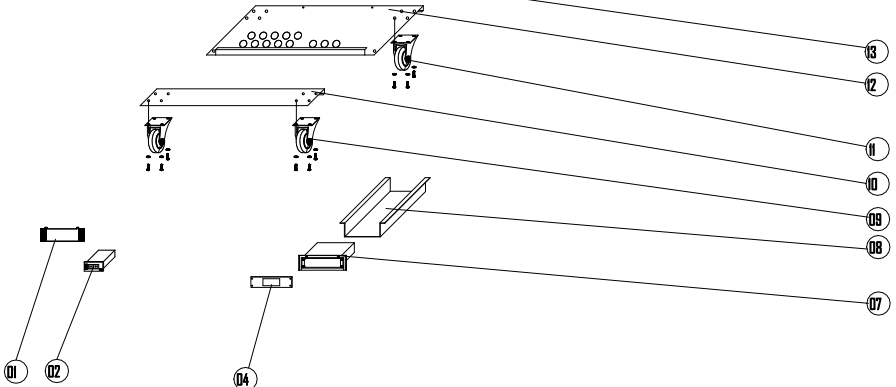
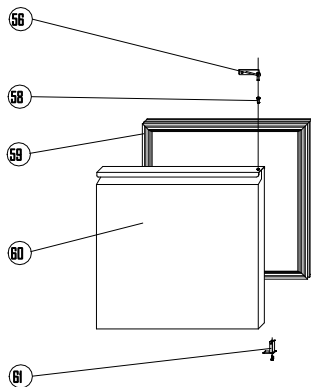
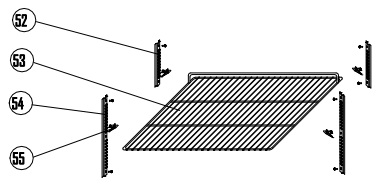
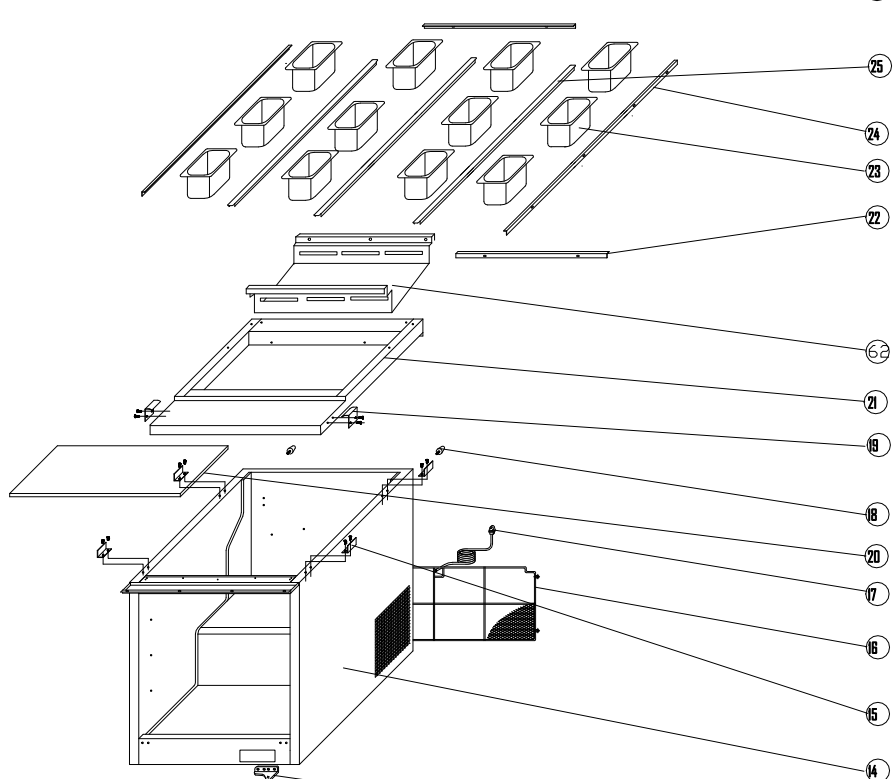
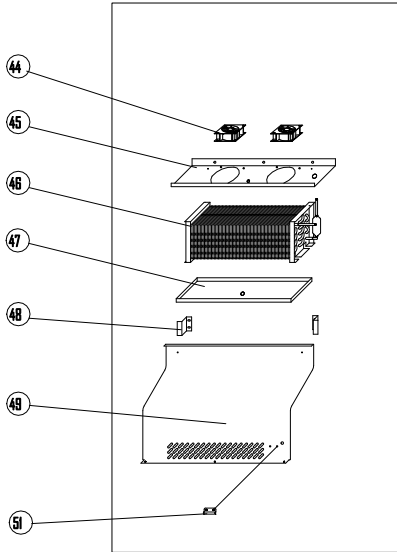
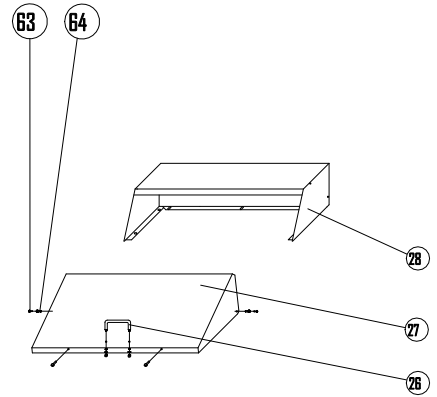
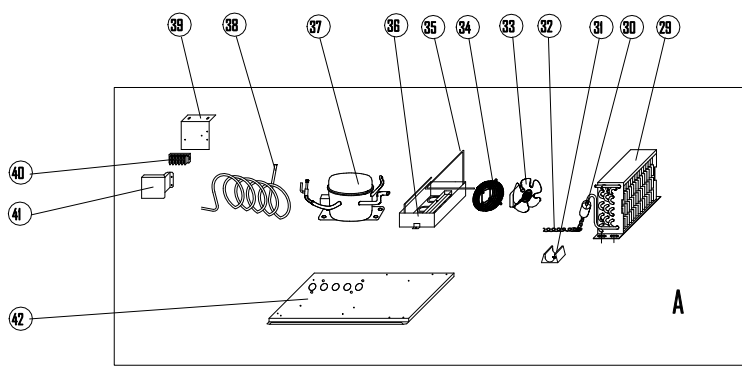
Model	Doors	Capacity (cu.ft)	Shelves	Pans	Cabinet Dim (inches)			HP	Voltage	Amps	NEMA Plug	Cord Length	Crated Weight
					L	D	H						
S29-MT-HC	1	7	1	12 (1/6)	28.9	35.0	46.8	1/3	115/60/1	3	5-15P	10	190
S48-MT-HC	2	12	2	18 (1/6)	48.2	35.0	46.8	1/2	115/60/1	4.3	5-15P	10	280
S61-MT-HC	2	15.5	2	24 (1/6)	61.2	35.0	46.8	1/2	115/60/1	4.3	5-15P	10	330
S72-MT-HC	3	18	6	27 (1/6)	71.7	29.9	43.2	1/2	115/60/1	4.3	5-15P	10	407



**S29-HC**

**Parts List for S29-HC**

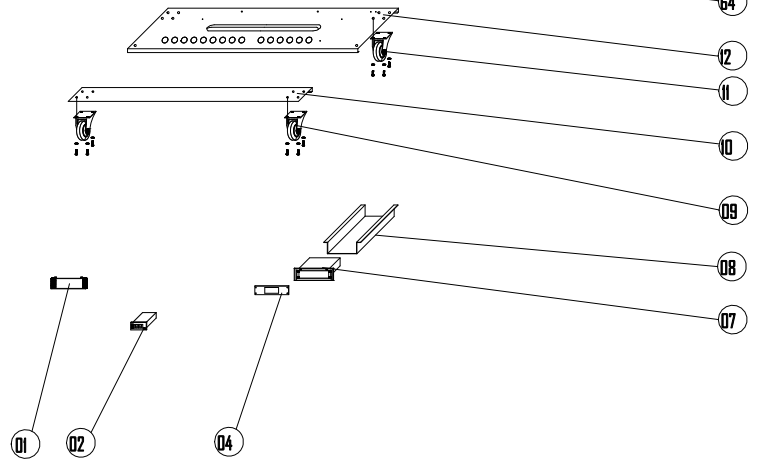
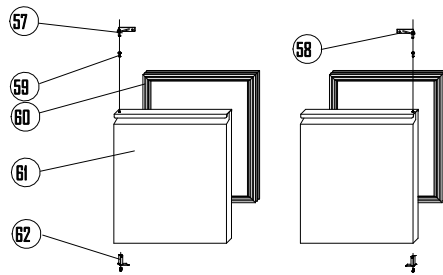
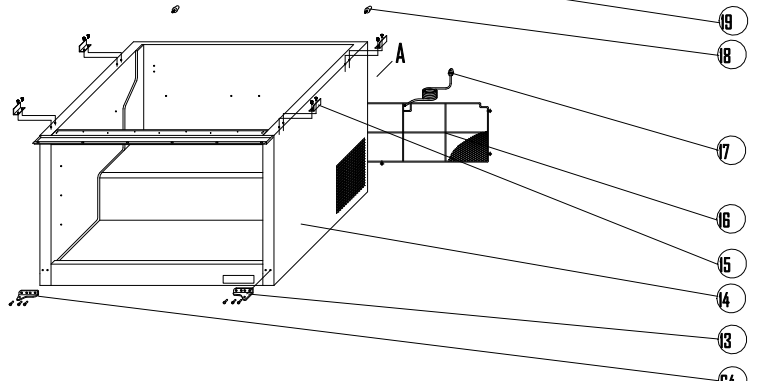
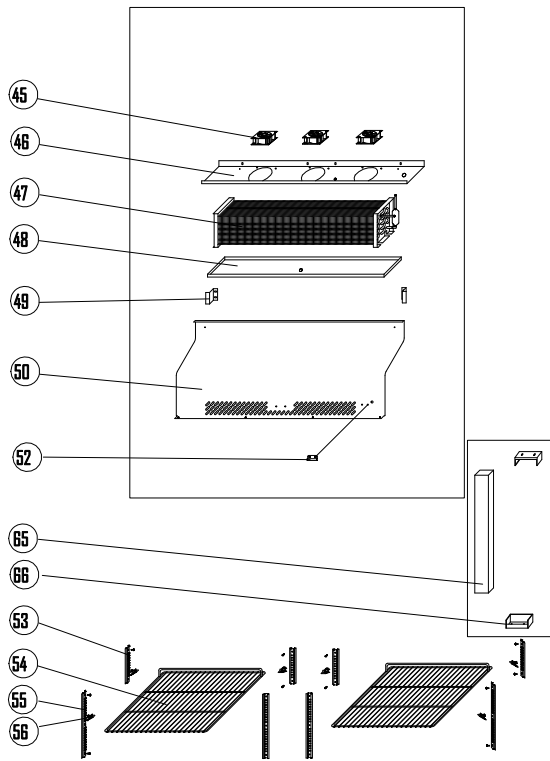
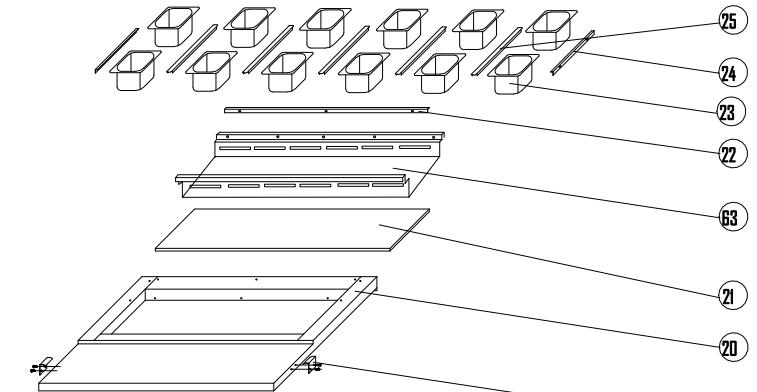
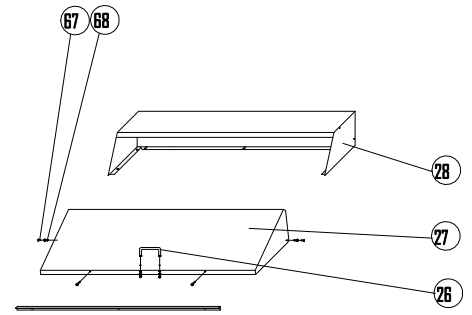
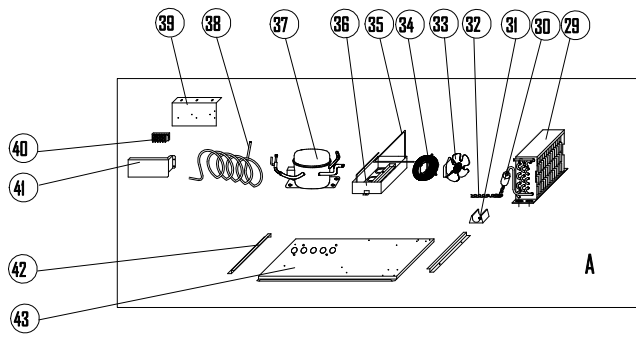
<b>NO.</b>	<b>PART #</b>	<b>DESCRIPTION</b>	<b>QTY</b>
1	HC0381	THERMOSTAT COVER	1
2	H00219	CONTROLLER, REFRIGERATOR DIXELL XR20C	1
2	H00205	TEMPERATURE SENSOR (NTC)	2
4	N/A	THERMOSTAT MOUNTING BOARD	1
7	N/A	THERMOSTAT BOX	1
8	N/A	WIRE CHANNEL	1
9	H01316	CASTER 2.5" DIAMETER WHEEL, WITH BRAKE	2
10	N/A	CASTER SUPPORT CHANNEL	1
11	H01317	CASTER 2.5" DIAMETER WHEEL, WITHOUT BRAKE	2
12	N/A	BODY	1
13	C02327RB	HINGE, LOWER RIGHT	1
14	N/A	BODY	1
15	N/A	MAIN TOP BRACKET	4
16	H01313	REAR MACHINE COMPARTMENT COVER	1
17	C2194684	POWER CORD, 14AWG/NEMA 5-15P	1
18	H02315	REAR WALL SPACER	2
19	H00382	CUTTING BOARD MOUNTING BRACKET	2
20	N/A	MAIN TOP	1
21	H01243	CUTTING BOARD	1
22	H03377	FRONT/BACK SUPPORT RAIL (4 WIDE)	2
23	H01242	STANDARD PAN, 1/6 SIZE X 4"	8
24	H02478	PAN SUPPORT SIDE LEFT/RIGHT	2
25	H00277	PAN SUPPORT	3
26	H00376	HANDLE FOR COVER	1
27	H00371	LID (29)	1
28	H00368	HOOD, (29)	1
29	HC0348	CONDENSER	1
30	H00341	FILTER DRIER	1
31	N/A	DRIER SUPPORT	1
32	H01301	CAPILLARY TUBE ID .039" X L 118.1"	1
33	H00120	MOTOR, CONDENSER FAN 5W, 115VAC	1
34	H00123	FAN GUARD BLACK, CONDENSER	1
35	HC0125	EVAPORATE PIPE	1
36	BC30911	CONDENSER WATER BOX	1
37	HC0001F	COMPRESSOR (EM2X3117U) W/ FILTER DRIER	1
37	HC0001K	START KIT FOR EM2X3117U	
38	HC0135	SUCTION PIPE	1
39	N/A	BRACKET	1
40	H00215	TERMINAL BLOCK, 5 POLE	1
41	N/A	COVER	1
42	N/A	CONDENSER PANEL	1
44	H01110	MOTOR, EVAPORATOR FAN	2
45	H01131	EVAPORATOR FAN SUPPORT (29)	1
46	HC1349R	EVAPORATOR COIL	1
47	H01141	EVAPORATOR DRIP PAN	1
48	N/A	MOUNTING BRACKET	2
49	H01151	EVAPORATOR COVER	1
51	H00335	SENSOR CLIP	1
52	H03342	PILASTER	2
53	H01307	SHELF	1
54	H01342	PILASTER	2
55	C3234860	PILASTER CLIP	4
56	C02327	HINGE, TOP RIGHT	1
58	H00327B	BUSHING	1
59	HC1325	GASKET, FULL DOOR,	1
60	HC1322	DOOR, LEFT OR RIGHT, AFTER 1702	1
61	H00328-2	HINGE CARTRIDGE, SELF CLOSING	1
62	H01400	LOWER PANEL (29)	1
63	H00356	LID PIVOT PIN	2
64	H00355	DEFORMED NUT	2



**S29-MT-HC**

**Parts List for S29-MT-HC**

<b>NO.</b>	<b>PART #</b>	<b>DESCRIPTION</b>	<b>QTY</b>
1	HC0381	THERMOSTAT COVER	1
2	H00219	CONTROLLER, REFRIGERATOR DIXELL XR20C	1
2	H00205	TEMPERATURE SENSOR (NTC)	2
4	N/A	THERMOSTAT MOUNTING BOARD	1
7	N/A	THERMOSTAT BOX	1
8	N/A	WIRE CHANNEL	1
9	H01316	CASTER 2.5" DIAMETER WHEEL, WITH BRAKE	2
10	N/A	CASTER SUPPORT CHANNEL	1
11	H01317	CASTER 2.5" DIAMETER WHEEL, WITH OUT BRAKE	2
12	N/A	MAIN BASE PANEL	1
13	C02327RB	HINGE, LOWER RIGHT	1
14	N/A	BODY	1
15	N/A	MAIN TOP BRACKET	2
16	H01313	REAR MACHINE COMPARTMENT COVER	1
17	C2194684	POWER CORD, 14AWG/NEMA 5-15P	1
18	H02315	REAR WALL SPACER	2
19	H00382	CUTTING BOARD MOUNTING BRACKET	2
20	H02243	CUTTING BOARD	1
21	N/A	MAIN TOP	1
22	H03377	FRONT/BACK SUPPORT RAIL (4 WIDE)	2
23	H01242	STANDARD PAN, 1/6 SIZE X 4"	12
24	H02578	PAN SUPPORT SIDE LEFT/RIGHT	2
25	H02377	PAN SUPPORT	3
26	H00376	HANDLE FOR COVER	1
27	H01371	LIT (29MT)	1
28	H01368	HOOD (29MT)	1
29	HC0348	CONDENSER	1
30	H00341	FILTER DRIER	1
31	N/A	DRIER SUPPORT	1
32	H01301	CAPILLARY TUBE ID .039"X L 118.1"	1
33	H00120	MOTOR, CONDENSER FAN 5W, 115VAC	1
34	H00123	FAN GUARD BLACK, CONDENSER	1
35	HC0125	EVAPORATE PIPE	1
36	BC30911	CONDENSER WATER BOX	1
37	HC0001F	COMPRESSOR (EM2X3117U) W/ FILTER DRIER	1
37	HC0001K	START KIT FOR EM2X3117U	
38	HC0135	SUCTION PIPE	1
39	N/A	BRACKET	1
40	H00215	TERMINAL BLOCK, 5 POLE	1
41	N/A	COVER	1
42	N/A	CONDENSER PANEL	1
44	H01110	MOTOR, EVAPORATOR FAN	2
45	H01131	EVAPORATOR FAN SUPPORT (29)	1
46	HC1349R	EVAPORATOR COIL	1
47	H01141	EVAPORATOR DRIP PAN	1
48	N/A	MOUNTING BRACKET	2
49	H01151	EVAPORATOR COVER	1
51	H00335	SENSOR CLIP	1
52	H03342	PILASTER	2
53	H01307	SHELF	1
54	H01342	PILASTER	2
55	C3234860	PILASTER CLIP	4
56	C02327	HINGE, TOP RIGHT	1
58	H00327B	BUSHING	1
59	HC1325	GASKET, FULL DOOR, 25 1/2" LONG X 26 11/16" WIDE	1
60	HC1322	DOOR, LEFT OR RIGHT, AFTER 1702	1
61	H00328-2	HINGE CARTRIDGE, SELF CLOSING	1
62	H01410	LOWER PANEL, (29MT)	1
63	H00356	LID PIVOT PIN	2
64	H00355	DEFORMED NUT	2

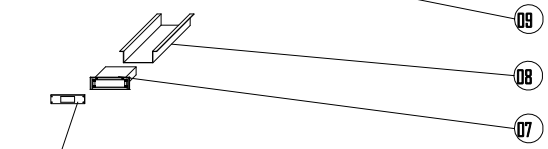
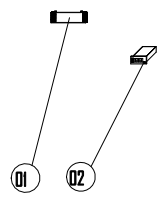
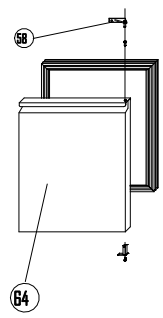
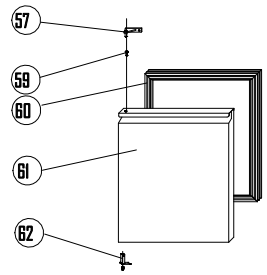
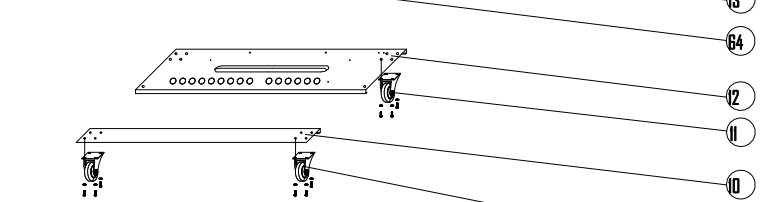
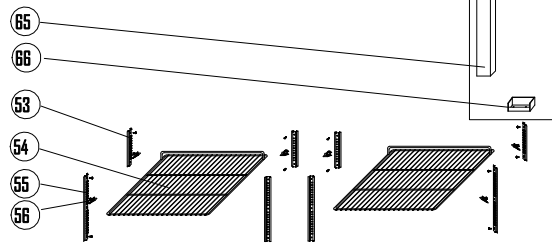
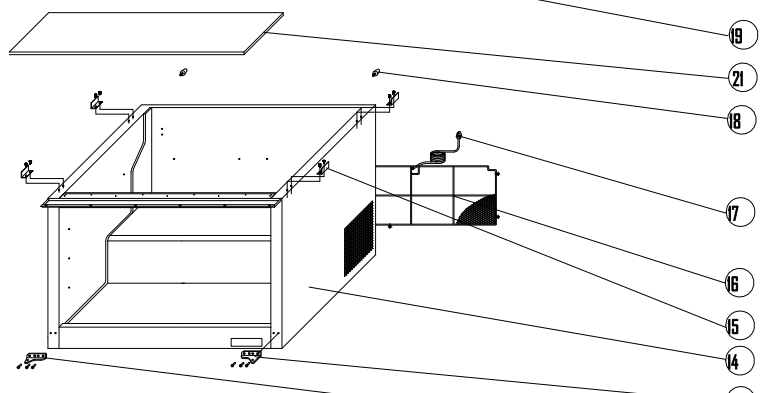
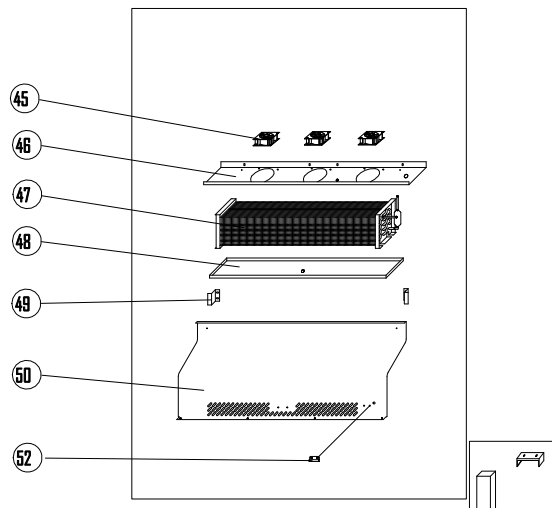
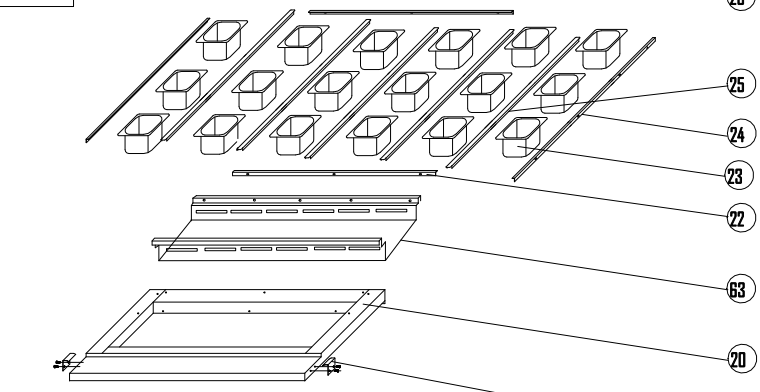
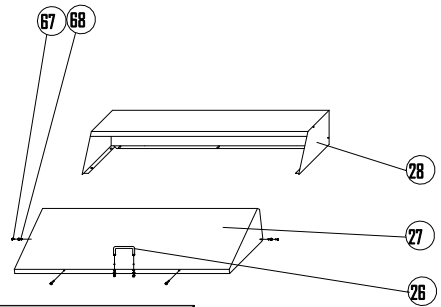
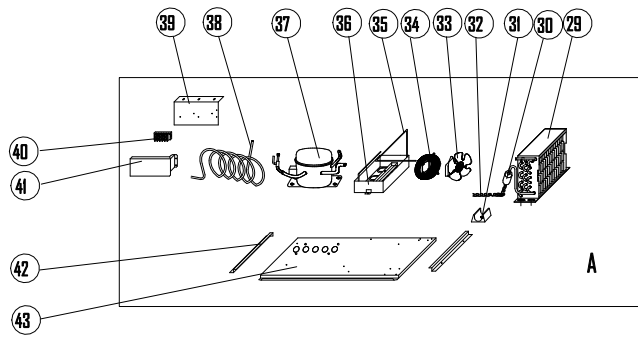


**S48-HC**



**Parts List for S48-HC**

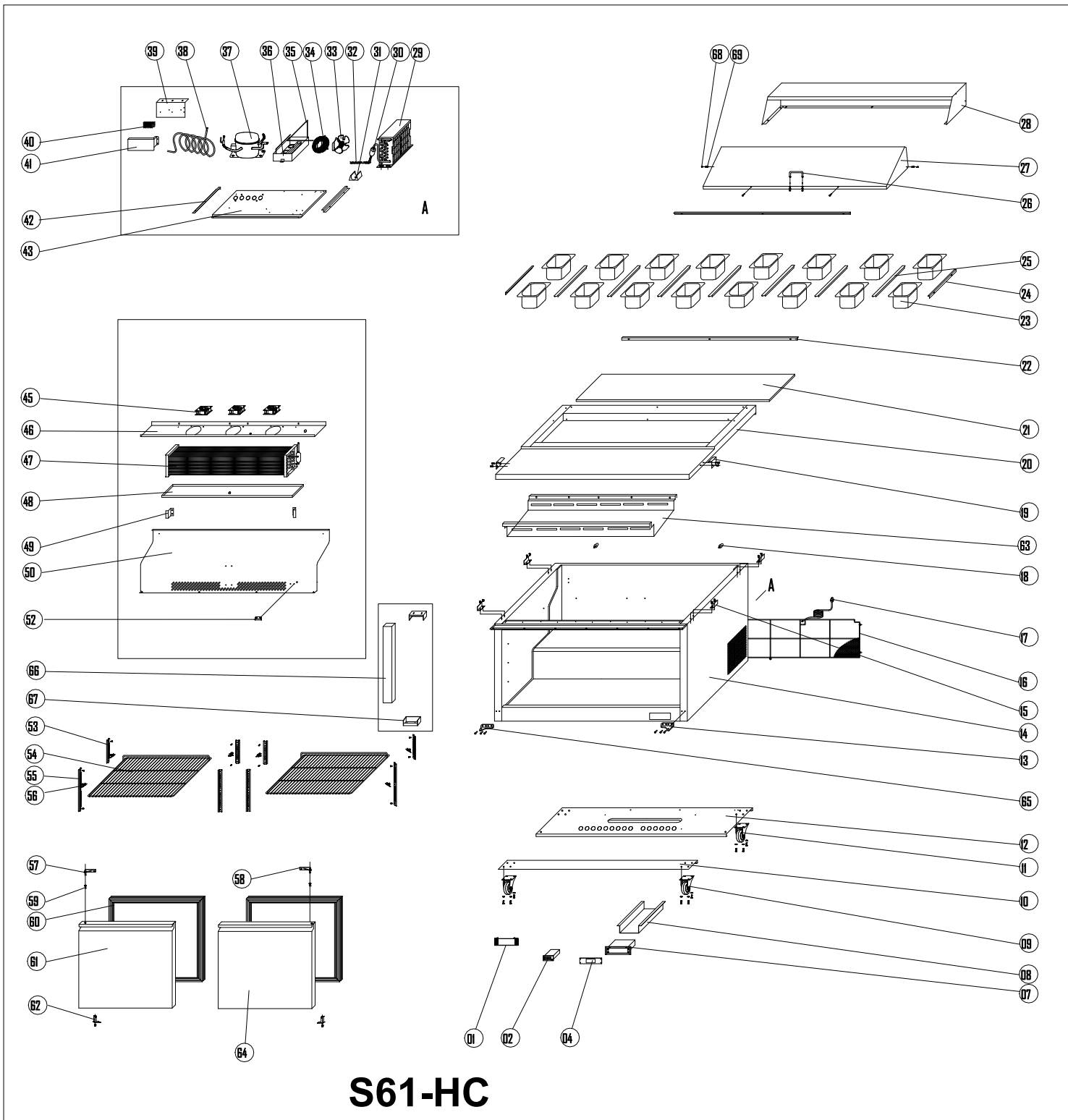
<b>NO.</b>	<b>PART #</b>	<b>DESCRIPTION</b>	<b>QTY</b>
1	HC0381	THERMOSTAT COVER	1
2	H00219	CONTROLLER, REFRIGERATOR DIXELL XR20C	1
2	H00205	TEMPERATURE SENSOR (NTC)	2
4	N/A	THERMOSTAT MOUNTING BOARD	1
7	N/A	THERMOSTAT BOX	1
8	N/A	WIRE CHANNEL	1
9	H01316	CASTER 2.5" DIAMETER WHEEL, WITH BRAKE	2
10	N/A	CASTER SUPPORT CHANNEL	1
11	H01317	CASTER 2.5" DIAMETER WHEEL, WITH OUT BRAKE	2
12	N/A	MAIN BASE PANEL	1
13	C02327RB	HINGE, LOWER RIGHT	1
14	N/A	BODY	1
15	N/A	MAIN TOP BRACKET	4
16	H01315	REAR MACHINE COMPARTMENT COVER	1
17	C2194684	POWER CORD, 14AWG/NEMA 5-15P	1
18	H02315	REAR WALL SPACER	2
19	H00382	CUTTING BOARD MOUNTING BRACKET	2
20	N/A	MAIN TOP	1
21	H01244	CUTTING BOARD	1
22	H04377	FRONT/BACK SUPPORT RAIL (6 WIDE)	2
23	H01242	STANDARD PAN, 1/6 SIZE X 4"	12
24	H02678	PAN SUPPORT SIDE LEFT/RIGHT	2
25	H00377	PAN SUPPORT	5
26	H00376	HANDLE FOR COVER	1
27	H00372	LID (48)	1
28	H00369	HOOD, (48)	1
29	HC0348	CONDENSER	1
30	H00341	FILTER DRIER	1
31	N/A	DRIER SUPPORT	1
32	H00303	CAPILLARY TUBE .055" ID X 118.1" L	1
33	H00120	MOTOR, CONDENSER FAN 5W, 115VAC	1
34	H00113-1	FAN GUARD, CONDENSER	1
35	HC0127	EVAPORATE PIPE	1
36	C30012	CONDENSER DRAIN BOX	1
37	H00039F	COMPRESSOR KIT, EM2X3125U + FILTER DRYER	1
37	H00228	START KIT FOR EM2X3125U	
38	HC0155	SUCTION PIPE	1
39	N/A	BRACKET	1
40	H00215	TERMINAL BLOCK, 5 POLE	1
41	N/A	COVER	1
42	N/A	GUIDE RIGHT/LEFT	1
43	N/A	CONDENSING PANEL	1
45	H01110	MOTOR, EVAPORATOR FAN	3
46	H01132	EVAPORATOR FAN SUPPORT (48)	1
47	HC1350F	EVAPORATOR COIL	1
48	H01143	EVAPORATOR DRAIN PAN ( 36.25" X 5" X 1")	1
49	N/A	MOUNTING BRACKET	2
50	H01152	EVAPORATOR COVER	1
52	H00335	SENSOR CLIP	1
53	H03342	PILASTER	4
54	H01309	SHELF, LEFT AND RIGHT	2
55	H01342	PILASTER	4
56	C3234860	PILASTER CLIP	8
57	C01327	HINGE, TOP LEFT	1
58	C02327	HINGE, TOP RIGHT	1
59	H00327B	BUSHING	2
60	HC2325	GASKET, DOOR	2
61	HC1324	DOOR, LEFT OR RIGHT, 48" AFTER SN 1807	1
61	HC1324	DOOR, LEFT OR RIGHT, 48" AFTER SN 1807	1
62	H00328-2	HINGE CARTRIDGE, SELF CLOSING	2
63	H01401	LOWER PANEL (48)	1
64	C01327LB	HINGE, LOWER LEFT	1
65	HC00020	CENTER MULLION	1
66	HC00115	CENTER MULLION BRACKET	2
67	H00356	LID PIVOT PIN	2
68	H00355	DEFORMED NUT	2



# S48-MT-HC

**Parts List for S48-MT-HC**

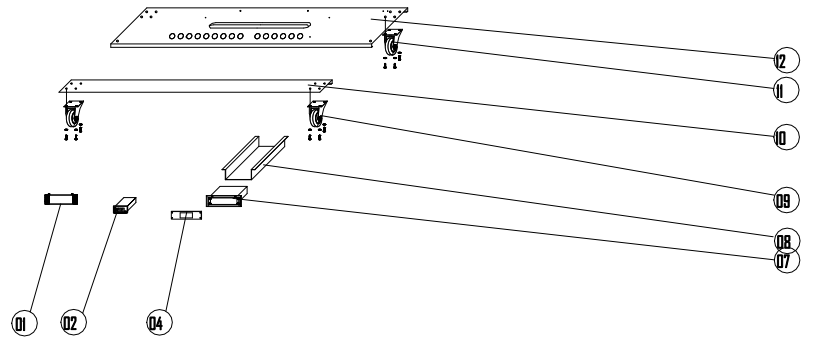
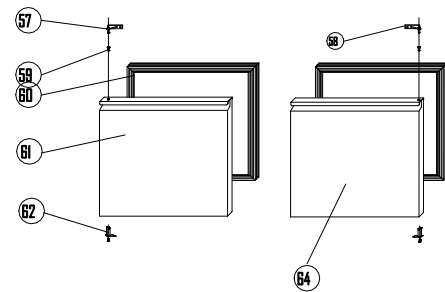
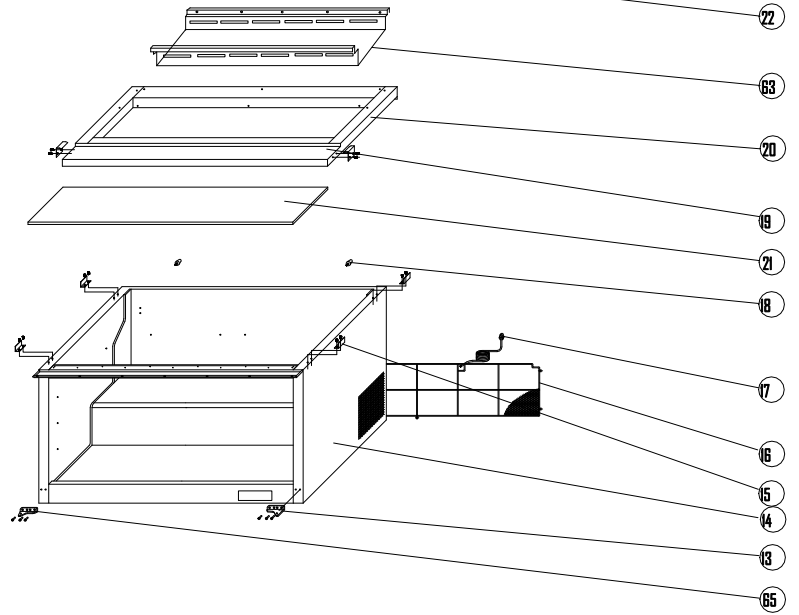
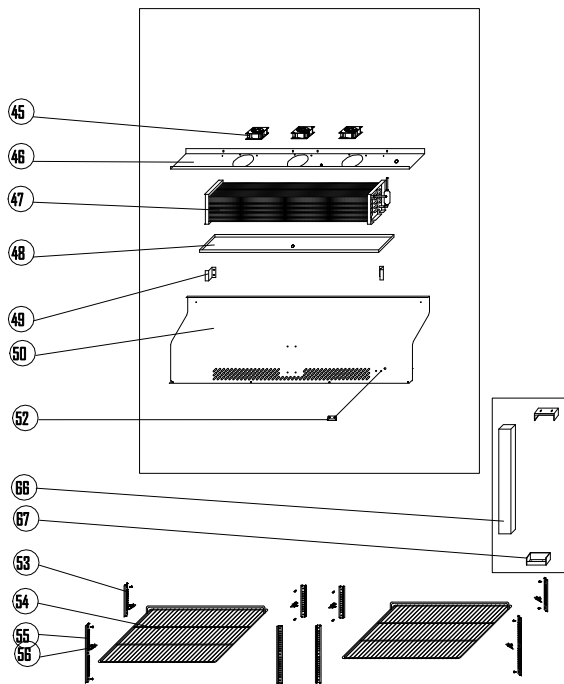
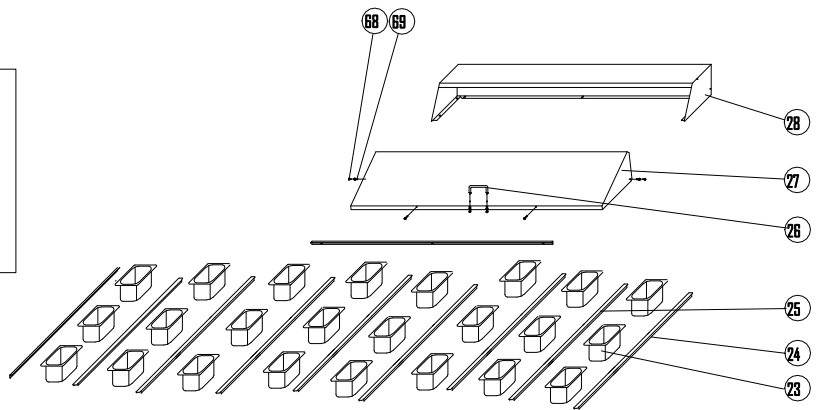
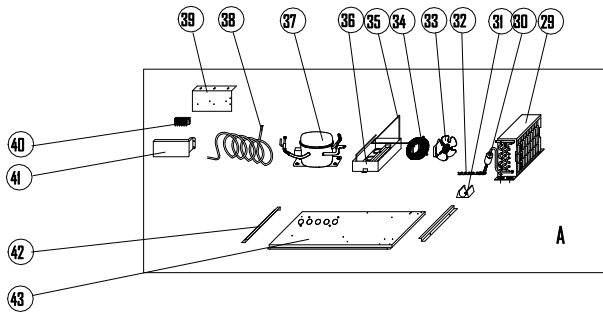
<b>NO.</b>	<b>PART #</b>	<b>DESCRIPTION</b>	<b>QTY</b>
1	HC0381	THERMOSTAT COVER	1
2	H00219	CONTROLLER, REFRIGERATOR DIXELL XR20C	1
2	H00205	TEMPERATURE SENSOR (NTC)	2
4	N/A	THERMOSTAT MOUNTING BOARD	1
7	N/A	THERMOSTAT BOX	1
8	N/A	WIRE CHANNEL	1
9	H01316	CASTER 2.5" DIAMETER WHEEL, WITH BRAKE	2
10	N/A	CASTER SUPPORT CHANNEL	1
11	H01317	CASTER 2.5" DIAMETER WHEEL, WITH OUT BRAKE	2
12	N/A	MAIN BASE PANEL	1
13	C02327RB	HINGE, LOWER RIGHT	1
14	N/A	BODY	1
15	N/A	MAIN TOP BRACKET	4
16	H01315	REAR MACHINE COMPARTMENT COVER	1
17	C2194684	POWER CORD, 14AWG/NEMA 5-15P	1
18	H02315	REAR WALL SPACER	2
19	H00382	CUTTING BOARD MOUNTING BRACKET	2
20	N/A	MAIN TOP	1
21	H02244	CUTTING BOARD	1
22	H04477	FRONT/BACK SUPPORT RAIL (6 WIDE)	2
23	H01242	STANDARD PAN, 1/6 SIZE X 4"	12
24	H02578	PAN SUPPORT SIDE LEFT/RIGHT	2
25	H02377	PAN SUPPORT	6
26	H00376	HANDLE FOR COVER	1
27	H01372	LIST (48-MT)	1
28	H01369	HOOD, (48MT)	1
29	HC0348	CONDENSER	1
30	H00341	FILTER DRIER	1
31	N/A	DRIER SUPPORT	1
32	H00303	CAPILLARY TUBE .055" ID X 118.1" L	1
33	H00120	MOTOR, CONDENSER FAN 5W, 115VAC	1
34	H00113-1	FAN GUARD, CONDENSER	1
35	HC0127	EVAPORATE PIPE	1
36	C30012	CONDENSER DRAIN BOX	1
37	H00039F	COMPRESSOR KIT, EM2X3125U + FILTER DRYER	1
37	H00228	START KIT FOR EM2X3125U	
38	HC0155	SUCTION PIPE	1
39	N/A	BRACKET	1
40	H00215	TERMINAL BLOCK, 5 POLE	1
41	N/A	COVER	1
42	N/A	GUIDE RIGHT/LEFT	1
43	N/A	CONDENSING PANEL	1
45	H01110	MOTOR, EVAPORATOR FAN	3
46	H01132	EVAPORATOR FAN SUPPORT (48)	1
47	HC1350F	EVAPORATOR COIL	1
48	H01143	EVAPORATOR DRAIN PAN ( 36.25" X 5" X 1")	1
49	N/A	MOUNTING BRACKET	2
50	H01152	EVAPORATOR COVER	1
52	H00335	SENSOR CLIP	1
53	H03342	PILASTER	4
54	H01309	SHELF, LEFT AND RIGHT	2
55	H01342	PILASTER	4
56	C3234860	PILASTER CLIP	8
57	C01327	HINGE, TOP LEFT	1
58	C02327	HINGE, TOP RIGHT	1
59	H00327B	BUSHING	2
60	HC2325	GASKET, DOOR	2
61	HC1324	DOOR, LEFT OR RIGHT, 48" AFTER SN 1807	1
61	HC1324	DOOR, LEFT OR RIGHT, 48" AFTER SN 1807	1
62	H00328-2	HINGE CARTRIDGE, SELF CLOSING	2
63	H01411	LOWER PANEL, (48MT)	1
64	C01327LB	HINGE, LOWER LEFT	1
65	HC00020	CENTER MULLION	1
66	HC00115	CENTER MULLION BRACKET	1
67	H00356	LID PIVOT PIN	2
68	H00355	DEFORMED NUT	2



# S61-HC

**Parts List for S61-HC**

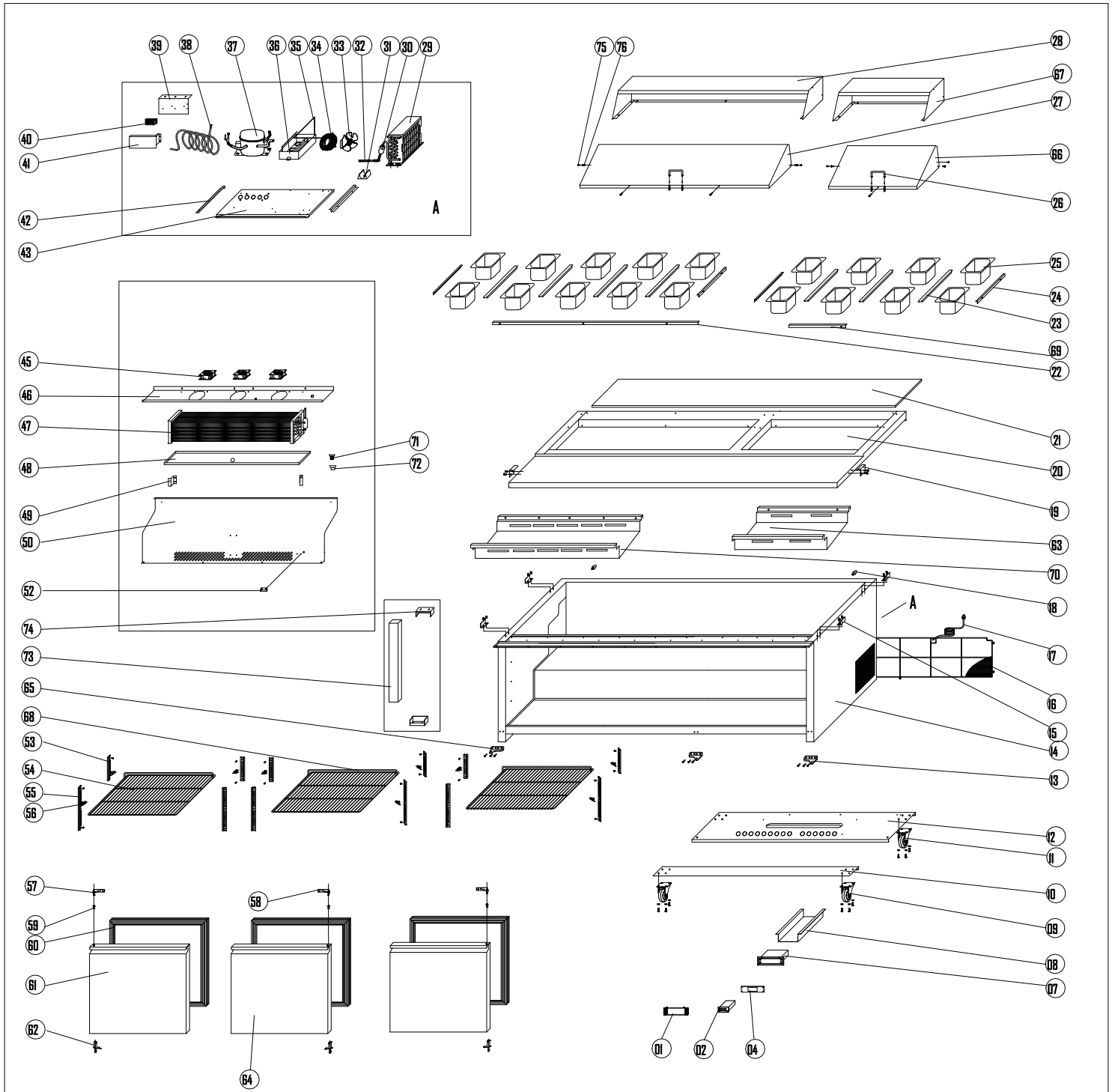
<b>NO.</b>	<b>PART #</b>	<b>DESCRIPTION</b>	<b>QTY</b>
1	HC0381	THERMOSTAT COVER	1
2	H00219	CONTROLLER, REFRIGERATOR DIXELL XR20C	1
2	H00205	TEMPERATURE SENSOR (NTC)	2
4	N/A	THERMOSTAT MOUNTING BOARD	1
7	N/A	THERMOSTAT BOX	1
8	N/A	WIRE CHANNEL	1
9	H01316	CASTER 2.5" DIAMETER WHEEL, WITH BRAKE	2
10	N/A	CASTER SUPPORT CHANNEL	1
11	H01317	CASTER 2.5" DIAMETER WHEEL, WITH OUT BRAKE	2
12	N/A	MAIN BASE PANEL	1
13	C02327RB	HINGE, LOWER RIGHT	1
14	N/A	BODY	1
15	N/A	MAIN TOP BRACKET	4
16	H02313	REAR MACHINE COMPARTMENT COVER	1
17	C2194684	POWER CORD, 14AWG/NEMA 5-15P	1
18	H02315	REAR WALL SPACER	2
19	H00382	CUTTING BOARD MOUNTING BRACKET	2
20	N/A	MAIN TOP	1
21	H01245	CUTTING BOARD	1
22	H05377	FRONT/BACK SUPPORT RAIL (8 WIDE)	2
23	H01242	STANDARD PAN, 1/6 SIZE X 4"	16
24	H02678	PAN SUPPORT SIDE LEFT/RIGHT	2
25	H00377	PAN SUPPORT	7
26	H00376	HANDLE FOR COVER	1
27	H00373	LID (60)	1
28	H00370	HOOD, (60)	1
29	HC0348	CONDENSER	1
30	H00341	FILTER DRIER	1
31	N/A	DRIER SUPPORT	1
32	H00303	CAPILLARY TUBE .055" ID X 118.1" L	1
33	H00120	MOTOR, CONDENSER FAN 5W, 115VAC	1
34	H00113-1	FAN GUARD, CONDENSER	1
35	HC0127	EVAPORATE PIPE	1
36	C30012	CONDENSER DRAIN BOX	1
37	H00039F	COMPRESSOR KIT, EM2X3125U + FILTER DRYER	1
37	H00228	START KIT FOR EM2X3125U	
38	HC0154	SUCTION PIPE	1
39	N/A	BRACKET	1
40	H00215	TERMINAL BLOCK, 5 POLE	1
41	N/A	COVER	1
42	N/A	GUIDE RIGHT/LEFT	1
42	N/A	GUIDE RIGHT/LEFT	2
43	N/A	CONDENSING PANEL	1
45	H01110	MOTOR, EVAPORATOR FAN	3
46	H01133	EVAPORATOR FAN MOTOR SUPPORT	1
47	HC1353F	EVAPORATOR COIL	1
48	H01144	EVAPORATOR DRAIN PAN (43.3" X 5" X 1")	1
49	N/A	MOUNTING BRACKET	2
50	H01153	EVAPORATOR COVER	1
52	H00335	SENSOR CLIP	1
53	H03342	PILASTER	4
54	H01310	SHELF, LEFT AND RIGHT	2
55	H01342	PILASTER	4
56	C3234860	PILASTER CLIP	8
57	C01327	HINGE, TOP LEFT	1
58	C02327	HINGE, TOP RIGHT	1
59	H00327B	BUSHING	2
60	HC1326	GASKET, DOOR	2
61	HC2323	DOOR, LEFT OR RIGHT, 60" AFTER SN 1807	1
62	H00328-2	HINGE CARTRIDGE, SELF CLOSING	2
63	H01402	LOWER PANEL (60)	
64	HC2323	DOOR, LEFT OR RIGHT, 60" AFTER SN 1807	1
65	C01327LB	HINGE, LOWER LEFT	1
66	HC00020	CENTER MULLION	1
67	HC00115	CENTER MULLION BRACKET	1
68	H00356	LID PIVOT PIN	2
69	H00355	DEFORMED NUT	2



# S61-MT-HC

**Parts List for S61-MT-HC**

<b>NO.</b>	<b>PART #</b>	<b>DESCRIPTION</b>	<b>QTY</b>
1	HC0381	THERMOSTAT COVER	1
2	H00219	CONTROLLER, REFRIGERATOR DIXELL XR20C	1
2	H00205	TEMPERATURE SENSOR (NTC)	2
4	N/A	THERMOSTAT MOUNTING BOARD	1
7	N/A	THERMOSTAT BOX	1
8	N/A	WIRE CHANNEL	1
9	H01316	CASTER 2.5" DIAMETER WHEEL, WITH BRAKE	2
10	N/A	CASTER SUPPORT CHANNEL	1
11	H01317	CASTER 2.5" DIAMETER WHEEL, WITH OUT BRAKE	2
12	N/A	MAIN BASE PANEL	1
13	C02327RB	HINGE, LOWER RIGHT	1
14	N/A	BODY	1
15	N/A	MAIN TOP BRACKET	4
16	H02313	REAR MACHINE COMPARTMENT COVER	1
17	C2194684	POWER CORD, 14AWG/NEMA 5-15P	1
18	H02315	REAR WALL SPACER	2
19	H00382	CUTTING BOARD MOUNTING BRACKET	2
20	N/A	MAIN TOP	1
21	H02245	CUTTING BOARD	1
22	H04577	FRONT/BACK SUPPORT RAIL (8 WIDE)	2
23	H01242	STANDARD PAN, 1/6 SIZE X 4"	24
24	H02378	SIDE PAN SUPPORT - LEFT/RIGHT	2
25	H02377	PAN SUPPORT	7
26	H00376	HANDLE FOR COVER	1
27	H01373	LID, (60MT)	1
28	H01370	HOOD, (60MT)	1
29	HC0348	CONDENSER	1
30	H00341	FILTER DRIER	1
31	N/A	DRIER SUPPORT	1
32	H00303	CAPILLARY TUBE .055" ID X 118.1" L	1
33	H00120	MOTOR, CONDENSER FAN 5W, 115VAC	1
34	H00123	FAN GUARD BLACK, CONDENSER	1
35	HC0127	EVAPORATE PIPE	1
36	C30012	CONDENSER DRAIN BOX	1
37	H00039F	COMPRESSOR KIT, EM2X3125U + FILTER DRYER	1
37	H00228	START KIT FOR EM2X3125U	
38	HC0154	SUCTION PIPE	1
39	N/A	BRACKET	1
40	H00215	TERMINAL BLOCK, 5 POLE	1
41	N/A	COVER	1
42	N/A	GUIDE RIGHT/LEFT	1
42	N/A	GUIDE RIGHT/LEFT	2
43	N/A	CONDENSING PANEL	1
45	H01110	MOTOR, EVAPORATOR FAN	3
46	H01133	EVAPORATOR FAN MOTOR SUPPORT	1
47	HC1353F	EVAPORATOR COIL	1
48	H01144	EVAPORATOR DRAIN PAN (43.3" X 5" X 1")	1
49	N/A	MOUNTING BRACKET	2
50	H01153	EVAPORATOR COVER	1
52	H00335	SENSOR CLIP	1
53	H03342	PILASTER	4
54	H01310	SHELF, LEFT AND RIGHT	2
55	H01342	PILASTER	4
56	C3234860	PILASTER CLIP	8
57	C01327	HINGE, TOP LEFT	1
58	C02327	HINGE, TOP RIGHT	1
59	H00327B	BUSHING	2
60	HC1326	GASKET, DOOR	2
61	HC2323	DOOR, LEFT OR RIGHT, 60" AFTER SN 1807	1
62	H00328-2	HINGE CARTRIDGE, SELF CLOSING	2
63	H01412	LOWER PANEL, (60MT)	1
64	HC2323	DOOR, LEFT OR RIGHT, 60" AFTER SN 1807	1
65	C01327LB	HINGE, LOWER LEFT	1
66	HC00020	CENTER MULLION	1
67	HC00115	CENTER MULLION BRACKET	1
68	H00356	LID PIVOT PIN	2
69	H00355	DEFORMED NUT	2

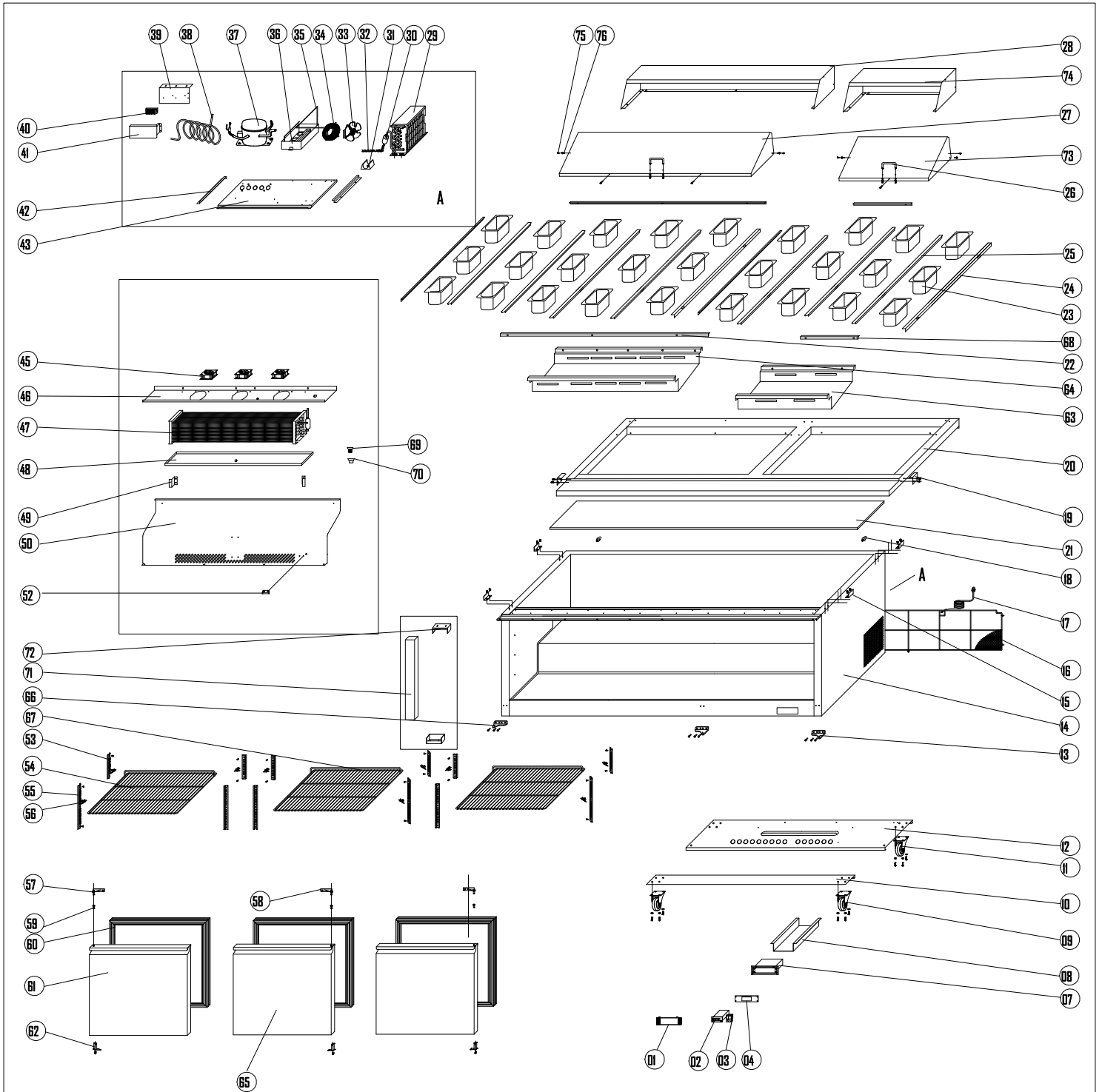


# S72-HC



**Parts List for S72-HC**

<b>NO.</b>	<b>PART #</b>	<b>DESCRIPTION</b>	<b>QTY</b>
1	HC0381	THERMOSTAT COVER	1
2	H00219	CONTROLLER, REFRIGERATOR DIXELL XR20C	1
2	H00205	TEMPERATURE SENSOR (NTC)	2
4	N/A	THERMOSTAT MOUNTING BOARD	1
7	N/A	THERMOSTAT BOX	1
8	N/A	WIRE CHANNEL	1
9	H01316	CASTER 2.5" DIAMETER WHEEL, WITH BRAKE	2
10	N/A	CASTER SUPPORT CHANNEL	1
11	H01317	CASTER 2.5" DIAMETER WHEEL, WITH OUT BRAKE	2
12	N/A	MAIN BASE PANEL	1
13	C02327RB	HINGE, LOWER RIGHT	2
14	N/A	BODY	1
15	N/A	MAIN TOP BRACKET	4
16	H02313-72	REAR MACHINE COMPARTMENT COVER	1
17	C2194684	POWER CORD, 14AWG/NEMA 5-15P	1
18	H02315	REAR WALL SPACER	2
19	H00382	CUTTING BOARD MOUNTING BRACKET	2
20	N/A	MAIN TOP	1
21	H01258	CUTTING BOARD	1
22	H02346	FRONT/BACK SUPPORT RAIL (5 WIDE)	2
23	H00377	PAN SUPPORT	7
24	H02678	PAN SUPPORT SIDE LEFT/RIGHT	4
25	H01242	STANDARD PAN, 1/6 SIZE X 4"	18
26	H00376	HANDLE FOR COVER	2
27	H00384	LID (72)	1
28	H00385	HOOD, (72)	1
29	HC0348	CONDENSER	1
30	H00341	FILTER DRIER	1
31	N/A	DRIER SUPPORT	1
32	H00303	CAPILLARY TUBE .055" ID X 118.1" L	1
33	H00120	MOTOR, CONDENSER FAN 5W, 115VAC	1
34	H00113-1	FAN GUARD, CONDENSER	1
35	HC0127	EVAPORATE PIPE	1
36	C30012	CONDENSER DRAIN BOX	1
37	H00039F	COMPRESSOR KIT, EM2X3125U + FILTER DRYER	1
37	H00228	START KIT FOR EM2X3125U	
38	HC0156	SUCTION PIPE	1
39	N/A	BRACKET	1
40	H00215	TERMINAL BLOCK, 5 POLE	1
41	N/A	COVER	1
42	N/A	GUIDE RIGHT/LEFT	1
43	N/A	CONDENSING PANEL	1
45	H01110	MOTOR, EVAPORATOR FAN	3
46	H01139	EVAPORATOR FAN MOTOR SUPPORT	1
47	H01355Q	EVAPORATOR COIL	1
48	H01357	EVAPORATOR DRAIN PAN	1
49	N/A	MOUNTING BRACKET	2
50	H03157	EVAPORATOR COVER	1
52	H00335	SENSOR CLIP	1
53	H03342	PILASTER	6
54	H01309	SHELF, LEFT AND RIGHT	2
55	H01342	PILASTER	6
56	C3234860	PILASTER CLIP	12
57	C01327	HINGE, TOP LEFT	1
58	C02327	HINGE, TOP RIGHT	2
59	H00327B	BUSHING	3
60	HC2325	GASKET, DOOR	3
61	HC1324	DOOR, LEFT OR RIGHT, 48" AFTER SN 1807	1
62	H00328-2	HINGE CARTRIDGE, SELF CLOSING	3
63	H01404	LOWER PANEL, RIGHT (72)	1
64	HC1324	DOOR, LEFT OR RIGHT, 48" AFTER SN 1807	2
65	C01327LB	HINGE, LOWER LEFT	1
66	H01261	LID (72 - RIGHT)	1
67	H01262	HOOD, RIGHT (72)	1
68	H01312	MIDDLE SHELF	1
69	H01263	FRONT/BACK SUPPORT RAIL (4 WIDE)	2
70	H01403	LOWER PANEL, LEFT (72)	1
71	G30001	DRAIN PIPE (MALE)	1
72	G30002	DRAIN PIPE (FEMALE)	1
73	HC00020	CENTER MULLION	2
74	HC00115	CENTER MULLION BRACKET	4
75	H00356	LID PIVOT PIN	4
76	H00355	DEFORMED NUT	4



# S72-MT-HC

**Parts List for S72-MT-HC**

<b>NO.</b>	<b>PART #</b>	<b>DESCRIPTION</b>	<b>QTY</b>
1	HC0381	THERMOSTAT COVER	1
2	H00219	CONTROLLER, REFRIGERATOR DIXELL XR20C	1
2	H00205	TEMPERATURE SENSOR (NTC)	2
4	N/A	THERMOSTAT MOUNTING BOARD	1
7	N/A	THERMOSTAT BOX	1
8	N/A	WIRE CHANNEL	1
9	H01316	CASTER 2.5" DIAMETER WHEEL, WITH BRAKE	2
10	N/A	CASTER SUPPORT CHANNEL	1
11	H01317	CASTER 2.5" DIAMETER WHEEL, WITH OUT BRAKE	2
12	N/A	MAIN BASE PANEL	1
13	C02327RB	HINGE, LOWER RIGHT	2
14	N/A	BODY	1
15	N/A	MAIN TOP BRACKET	4
16	H02313-72	REAR MACHINE COMPARTMENT COVER	1
17	C2194684	POWER CORD, 14AWG/NEMA 5-15P	1
18	H02315	REAR WALL SPACER	2
19	H00382	CUTTING BOARD MOUNTING BRACKET	2
20	N/A	MAIN TOP	1
21	H01264	CUTTING BOARD	1
22	H04677	FRONT/BACK SUPPORT RAIL (5 WIDE)	2
23	H01242	STANDARD PAN, 1/6 SIZE X 4"	27
24	H02578	PAN SUPPORT SIDE LEFT/RIGHT	4
25	H02377	PAN SUPPORT	7
26	H00376	HANDLE FOR COVER	2
27	H01265	LID (72MT - LEFT)	1
28	H01266	HOOD, LEFT (72)	1
29	HC0348	CONDENSER	1
30	H00341	FILTER DRIER	1
31	N/A	DRIER SUPPORT	1
32	H00303	CAPILLARY TUBE .055" ID X 118.1" L	1
33	H00120	MOTOR, CONDENSER FAN 5W, 115VAC	1
34	H00123	FAN GUARD BLACK, CONDENSER	1
35	HC0127	EVAPORATE PIPE	1
36	C30004	CONDENSER DRAIN PAN	1
37	H00039F	COMPRESSOR KIT, EM2X3125U + FILTER DRYER	1
37	H00228	START KIT FOR EM2X3125U	
38	HC0154	SUCTION PIPE	1
39	N/A	BRACKET	1
40	H00215	TERMINAL BLOCK, 5 POLE	1
41	N/A	COVER	1
42	N/A	GUIDE RIGHT/LEFT	1
43	N/A	CONDENSING PANEL	1
45	H01110	MOTOR, EVAPORATOR FAN	3
46	H01139	EVAPORATOR FAN MOTOR SUPPORT	1
47	H01355Q	EVAPORATOR COIL	1
48	H01144	EVAPORATOR DRAIN PAN (43.3" X 5" X 1")	1
49	N/A	MOUNTING BRACKET	2
50	H03157	EVAPORATOR COVER	1
51	BD0053	PROBE PADDING	1
52	H00335	SENSOR CLIP	1
53	H03342	PILASTER	6
54	H01309	SHELF, LEFT AND RIGHT	2
55	H01342	PILASTER	6
56	C3234860	PILASTER CLIP	12
57	C01327	HINGE, TOP LEFT	1
58	C02327	HINGE, TOP RIGHT	1
59	H00327B	BUSHING	3
60	HC2325	GASKET, DOOR	3
61	HC1324	DOOR, LEFT OR RIGHT, 48" AFTER SN 1807	1
62	H00328-2	HINGE CARTRIDGE, SELF CLOSING	2
63	H01413	LOWER PANEL (RIGHT)	1
64	H01414	LOWER PANEL (LEFT)	1
65	HC1324	DOOR, LEFT OR RIGHT, 48" AFTER SN 1807	2
66	C01327LB	HINGE, LOWER LEFT	1
67	H01312	MIDDLE SHELF	1
68	H04777	FRONT/BACK SUPPORT RAIL (4 WIDE)	2
69	G30001	DRAIN PIPE (MALE)	1
70	G30002	DRAIN PIPE (FEMALE)	1
71	HC00020	CENTER MULLION	2
72	HC00115	CENTER MULLION BRACKET	2
73	H01270	LID (72MT- RIGHT)	1
74	H01269	HOOD, RIGHT (72MT)	1
75	H00356	LID PIVOT PIN	4
76	H00355	DEFORMED NUT	4



For Tech Support or Parts Call:

1-704-900-2068

Website: <http://www.entree.biz>