

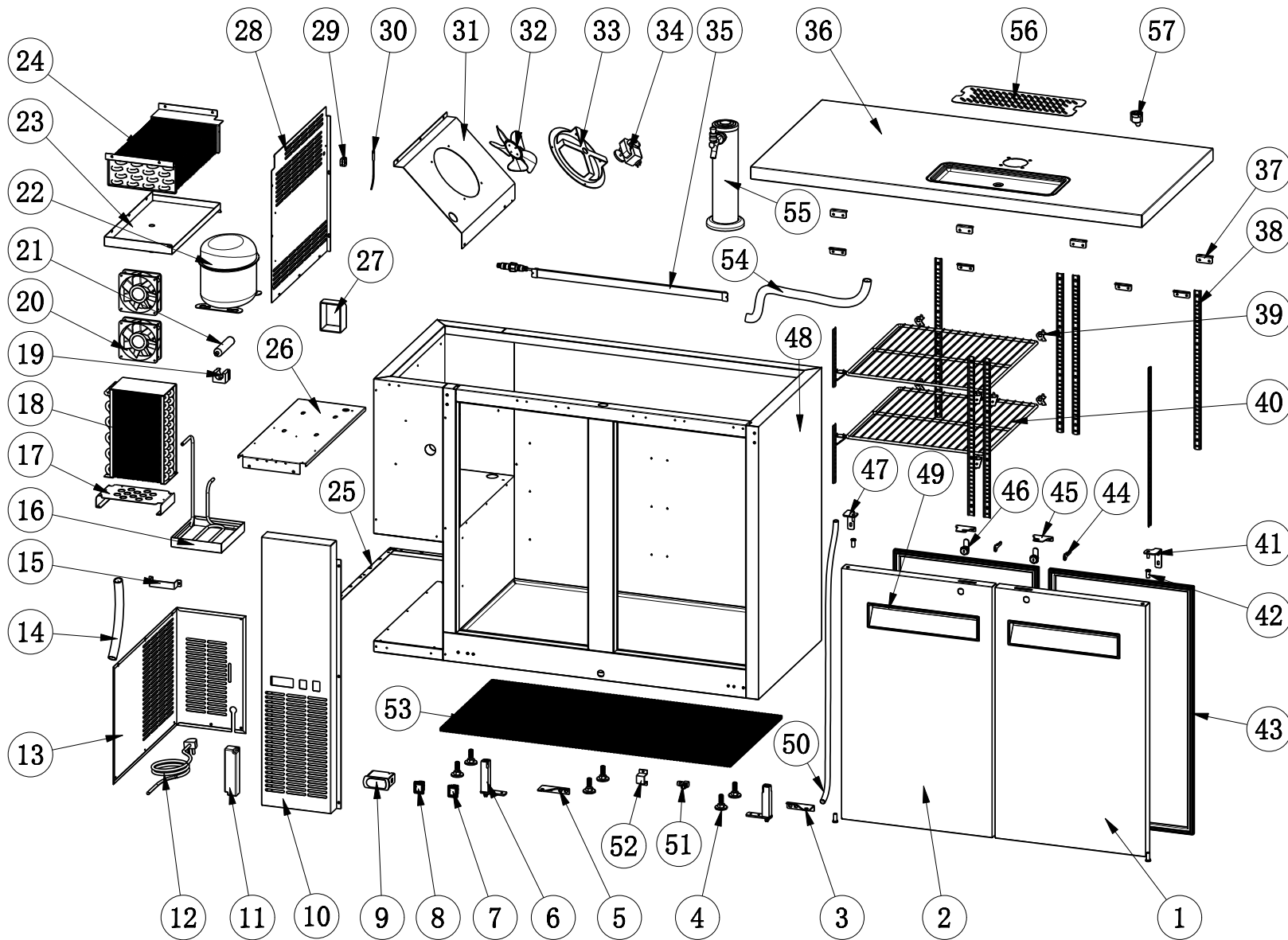


# ***PART LIST FOR 27" DEPTH DRAUGHT BEER COOLER***

\*Shown with optional 2 tap tower



For Parts Call 704-900-2068, Option #2

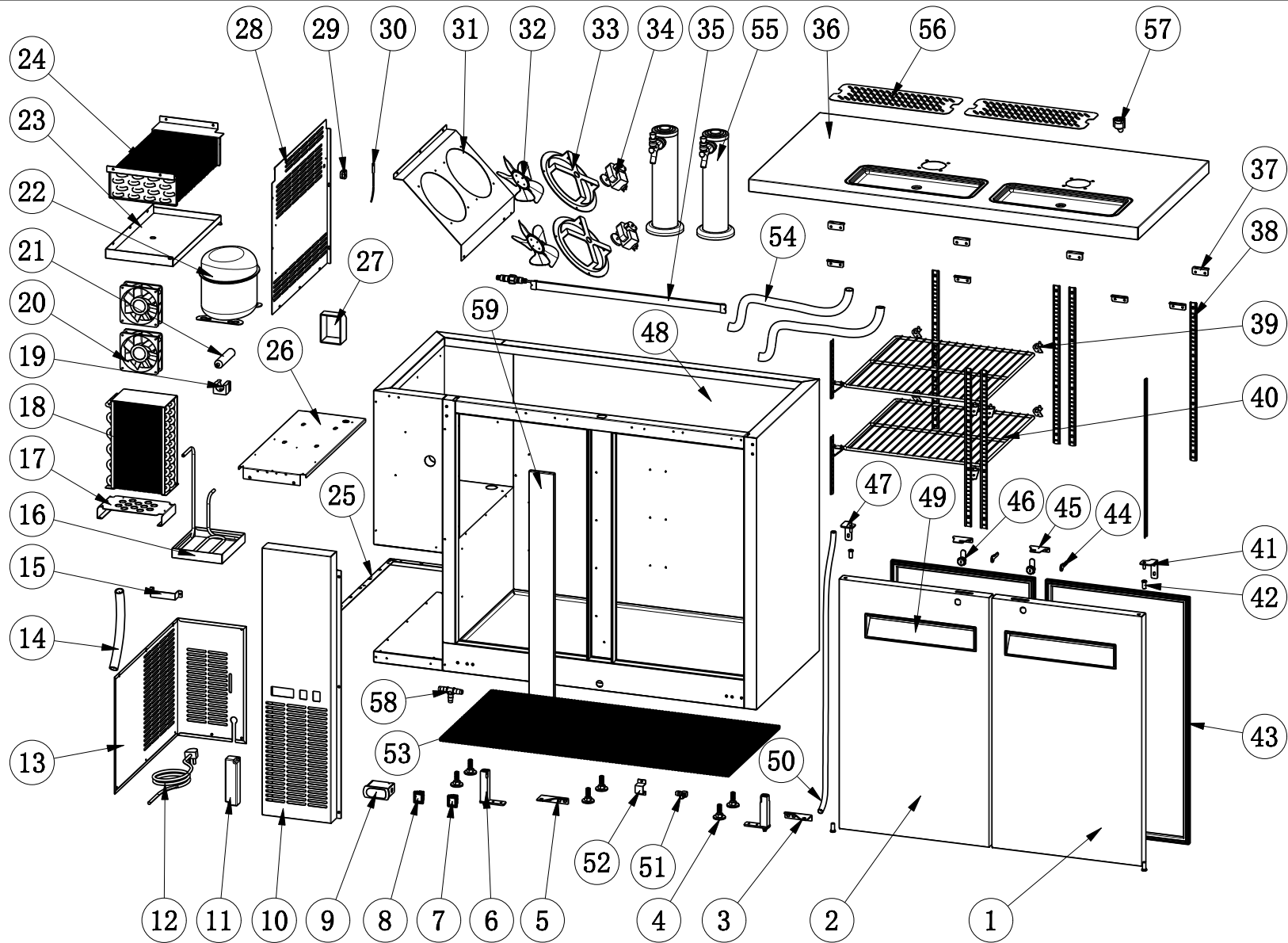


**MODEL: EBD59-27X (KDD2X)**

## Part Listing for EBD59-27X (KDD2X)

| Ref # | Part Number    | Description                             | Qty |
|-------|----------------|-----------------------------------------|-----|
| 1     | X2199001130    | RIGHT DOOR                              | 1   |
| 2     | X2199001131    | LEFT DOOR                               | 1   |
| 3     | X12517140004   | BOTTOM RIGHT HINGE                      | 1   |
| 4     | X12534030002   | LEVELING FEET                           | 6   |
| 4.1   | X12533040010   | 3" CASTER WITHOUT BRAKE                 | 2   |
| 4.1   | X12533040015   | 3" CASTER WITH BRAKE                    | 2   |
| 5     | X12517140005   | BOTTOM LEFT HINGE                       | 1   |
| 6     | XX-DC0328      | HINGE CARTRIDGE, SELF CLOSING           | 2   |
| 7     | X17749211297   | POWER SWITCH                            | 1   |
| 8     | X17749180002   | LED LIGHT SWITCH                        | 1   |
| 9     | X17505200002   | THERMOSTAT (XR03CX-4N0F1/115V)          | 1   |
| 10    | X2199001084    | CONTROL PANNEL                          | 1   |
| 11    | X22753530013   | LED POWER SUPPLY                        | 1   |
| 12    | X17664640064   | POWER CORD (16AWG, 2.5M NEMA 5-15P)     | 1   |
| 13    | X2199001102    | BACK GRILL                              | 1   |
| 14    | X15818180020   | DRAIN HOSE                              | 1   |
| 15    | X2199001086    | HANDLE OF COMPRESSOR INSTALLATION BOARD | 1   |
| 16    | X16316130005   | OUTER DRAIN PAN                         | 1   |
| 17    | X2199001087    | CONDENSER INSTALLATION BOARD            | 1   |
| 18    | X17304110150   | CONDENSER                               | 1   |
| 19    | X16357020026   | FILTER FIXER                            | 1   |
| 20    | X1003001114715 | CONDENSER FAN MOTOR                     | 2   |
| 21    | X17111250195   | FILTER                                  | 1   |
| 22    | X17202163117   | COMPRESSOR (EM2X3117U/115V/60HZ/R290)   | 1   |
| 23    | X2199001088    | INNER DRAIN PAN                         | 1   |
| 24    | X17405080340   | EVAPORATOR                              | 1   |
| 25    | X2199001103    | FIXED MOUNTS FOR BACK GRILL             | 1   |
| 26    | X2199001090    | COMPRESSOR INSTALLATION BOARD           | 11  |
| 27    | X51330049301   | COMPRESSOR COMPONENT                    | 1   |

| Ref # | Part Number  | Description                       | Qty |
|-------|--------------|-----------------------------------|-----|
| 28    | X2199001132  | EVAPORATOR COVER                  | 1   |
| 29    | X16357060003 | TEMPERATURE PROBE FIXER           | 1   |
| 30    | X17649490013 | TEMPERATURE PROBE                 | 1   |
| 31    | X2199001105  | EVAPORATOR FAN INSTALLATION BOARD | 1   |
| 32    | X16381738082 | EVAPORATOR FAN BLADE              | 1   |
| 33    | X12504050201 | EVAPORATOR FAN HOLDER             | 1   |
| 34    | X22752520007 | EVAPORATOR FAN MOTOR              | 1   |
| 35    | X17740410069 | LED LIGHT                         | 1   |
| 36    | X2199001133  | TOP BOARD                         | 1   |
| 37    | X2199001094  | TOP BOARD FIXER                   | 8   |
| 38    | X2199001095  | K STRIP                           | 8   |
| 39    | X5302000003  | K CLIP                            | 8   |
| 40    | X12502012566 | SHELF                             | 2   |
| 41    | X2199001096  | UPPER RIGHT HINGE                 | 1   |
| 42    | X16353010008 | AXIS COVER                        | 4   |
| 43    | X16401000075 | GASKET                            | 2   |
| 44    | X12546310002 | KEY                               | 2   |
| 45    | X2199001097  | LOCK PLATE                        | 2   |
| 46    | X12546100952 | LOCK                              | 2   |
| 47    | X2199001098  | UPPER LIGHT HINGE                 | 1   |
| 48    | ****         | CABINET                           | 1   |
| 49    | X16337030003 | DOOR HANDLE                       | 2   |
| 50    | X15818180013 | DRAIN HOSE                        | 1   |
| 51    | X16369690006 | PLASTIC CONNECTOR                 | 1   |
| 52    | X2199001328  | BAFFLE                            | 1   |
| 53    | X16413130007 | RUBBER PAD                        | 1   |
| 54    | X15799990729 | CORRUGATED PIPE                   | 1   |
| 55    | X12599993000 | BEER TOWER KIT - ONE TAP          | 1   |

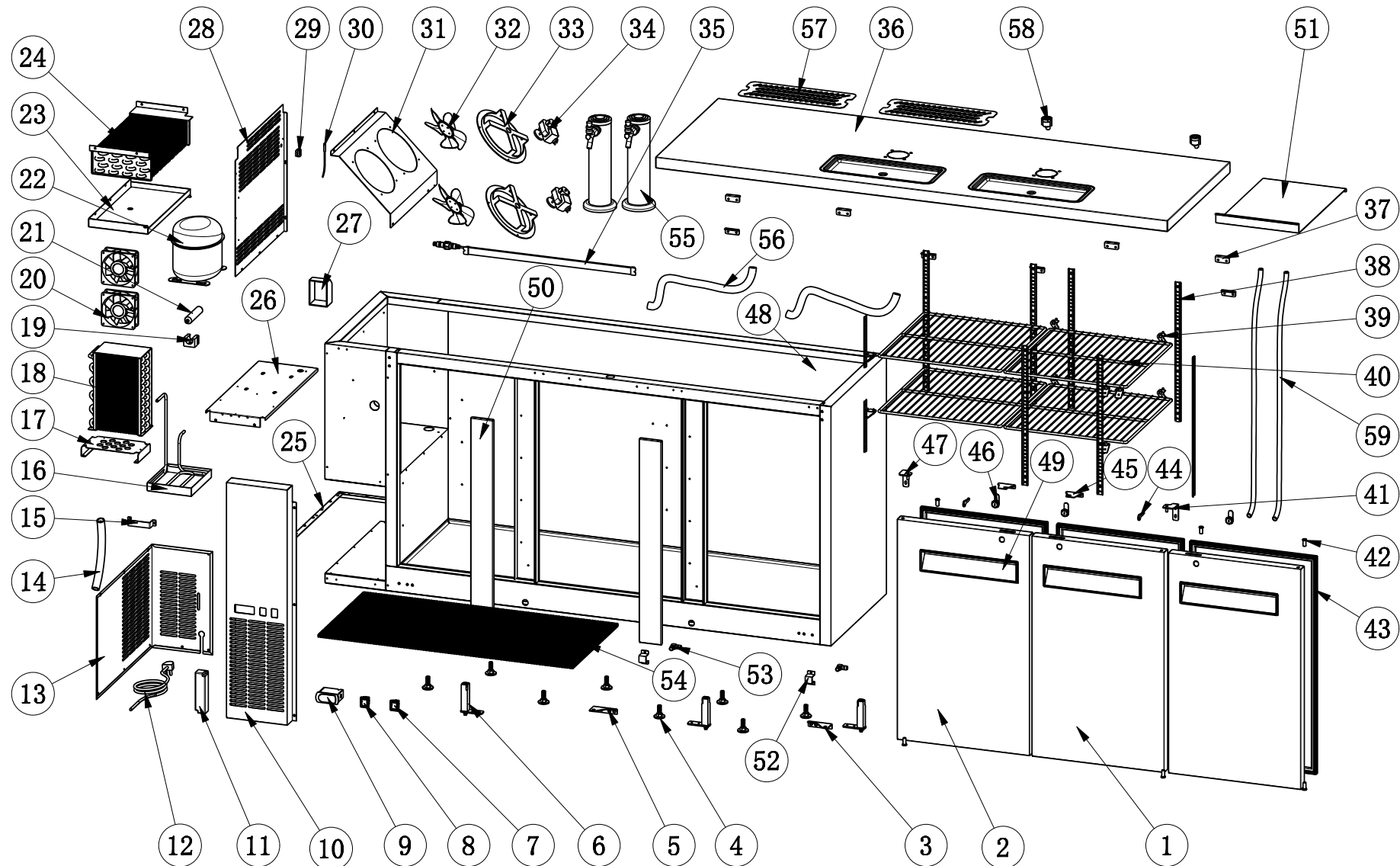


**MODEL: EBD69-27X (KDD3X)**

## Part Listing for EBD69-27X (KDD3X)

| Ref # | Part Number  | Description                             | Qty |
|-------|--------------|-----------------------------------------|-----|
| 1     | X2199001130  | RIGHT DOOR                              | 1   |
| 2     | X2199001131  | LEFT DOOR                               | 1   |
| 3     | X12517140004 | BOTTOM RIGHT HINGE                      | 1   |
| 4     | X12534030002 | LEVELING FEET                           | 6   |
| 4.1   | X12533040010 | 3" CASTER WITHOUT BRAKE                 | 2   |
| 4.1   | X12533040015 | 3" CASTER WITH BRAKE                    | 2   |
| 5     | X12517140005 | BOTTOM LEFT HINGE                       | 1   |
| 6     | XX-DC0328    | HINGE CARTRIDGE, SELF CLOSING           | 2   |
| 7     | X17749211297 | POWER SWITCH                            | 1   |
| 8     | X17749180002 | LED LIGHT SWITCH                        | 1   |
| 9     | X17505200002 | THERMOSTAT (XR03CX-4N0F1/115V)          | 1   |
| 10    | X2199001084  | CONTROL PANNEL                          | 1   |
| 11    | X22753530013 | LED POWER SUPPLY                        | 1   |
| 12    | X17664640064 | POWER CORD (16AWG, 2.5M NEMA 5-15P)     | 1   |
| 13    | X2199001102  | BACK GRILL                              | 1   |
| 14    | X15818180020 | DRAIN HOSE                              | 1   |
| 15    | X2199001086  | HANDLE OF COMPRESSOR INSTALLATION BOARD | 1   |
| 16    | X16316130005 | OUTER DRAIN PAN                         | 1   |
| 17    | X2199001087  | CONDENSER INSTALLATION BOARD            | 1   |
| 18    | X17304110150 | CONDENSER                               | 1   |
| 19    | X16357020026 | FILTER FIXER                            | 1   |
| 20    | X22752520021 | CONDENSER FAN MOTOR                     | 2   |
| 21    | X17111250195 | FILTER                                  | 1   |
| 22    | X17202163117 | COMPRESSOR (EM2X3117U/115V/60HZ/R290)   | 1   |
| 23    | X2199001088  | INNER DRAIN PAN                         | 1   |
| 24    | X17405080340 | EVAPORATOR                              | 1   |
| 25    | X2199001103  | FIXED MOUNTS FOR BACK GRILL             | 1   |
| 26    | X2199001090  | COMPRESSOR INSTALLATION BOARD           | 11  |

| Ref # | Part Number  | Description                       | Qty |
|-------|--------------|-----------------------------------|-----|
| 27    | X51330049301 | COMPRESSOR COMPONENT              | 1   |
| 28    | X2199001132  | EVAPORATOR COVER                  | 1   |
| 29    | X16357060003 | TEMPERATURE PROBE FIXER           | 1   |
| 30    | X17649490013 | TEMPERATURE PROBE                 | 1   |
| 31    | X2199001105  | EVAPORATOR FAN INSTALLATION BOARD | 1   |
| 32    | X16381738082 | EVAPORATOR FAN BLADE              | 1   |
| 33    | X12504050201 | EVAPORATOR FAN HOLDER             | 1   |
| 34    | X22752520007 | EVAPORATOR FAN MOTOR              | 1   |
| 35    | X17740410069 | LED LIGHT                         | 1   |
| 36    | X2199001134  | TOP BOARD                         | 1   |
| 37    | X2199001094  | TOP BOARD FIXER                   | 8   |
| 38    | X2199001095  | K STRIP                           | 8   |
| 39    | X5302000003  | K CLIP                            | 8   |
| 40    | X12502012753 | SHELF                             | 2   |
| 41    | X2199001096  | UPPER RIGHT HINGE                 | 1   |
| 42    | X16353010008 | AXIS COVER                        | 4   |
| 43    | X16401000075 | GASKET                            | 2   |
| 44    | X12546310002 | KEY                               | 2   |
| 45    | X2199001097  | LOCK PLATE                        | 2   |
| 46    | X12546100952 | LOCK                              | 2   |
| 47    | X2199001098  | UPPER LIGHT HINGE                 | 1   |
| 48    | ****         | CABINET                           | 1   |
| 49    | X16337030003 | DOOR HANDLE                       | 2   |
| 50    | X15818180013 | DRAIN HOSE                        | 1   |
| 51    | X16369690006 | PLASTIC CONNECTOR                 | 1   |
| 52    | X2199001328  | BAFFLE                            | 1   |
| 53    | X16413130007 | RUBBER PAD                        | 1   |
| 54    | X15799990729 | CORRUGATED PIPE                   | 2   |
| 55    | X12599993000 | BEER TOWER KIT - ONE TAP          | 2   |



**MODEL: EBD90-27X (KDD4X)**

## Part Listing for EBD90-27X (KDD4X)

| Ref # | Part Number  | Description                             | Qty |
|-------|--------------|-----------------------------------------|-----|
| 1     | X2199001130  | RIGHT DOOR                              | 1   |
| 2     | X2199001131  | LEFT DOOR                               | 2   |
| 3     | X12517140004 | BOTTOM RIGHT HINGE                      | 2   |
| 4     | X12534030002 | LEVELING FEET                           | 8   |
| 4.1   | X12533040010 | 3" CASTER WITHOUT BRAKE                 | 3   |
| 4.1   | X12533040015 | 3" CASTER WITH BRAKE                    | 3   |
| 5     | X12517140005 | BOTTOM LEFT HINGE                       | 1   |
| 6     | XX-DC0328    | HINGE CARTRIDGE, SELF CLOSING           | 3   |
| 7     | X17749211297 | POWER SWITCH                            | 1   |
| 8     | X17749180002 | LED LIGHT SWITCH                        | 1   |
| 9     | X17505200002 | THERMOSTAT (XR03CX-4N0F1/115V)          | 1   |
| 10    | X2199001084  | CONTROL PANNEL                          | 1   |
| 11    | X22753530013 | LED POWER SUPPLY                        | 1   |
| 12    | X17664640064 | POWER CORD (16AWG, 2.5M NEMA 5-15P)     | 1   |
| 13    | X2199001102  | BACK GRILL                              | 1   |
| 14    | X15818180020 | DRAIN HOSE                              | 1   |
| 15    | X2199001086  | HANDLE OF COMPRESSOR INSTALLATION BOARD | 1   |
| 16    | X16316130005 | OUTER DRAIN PAN                         | 1   |
| 17    | X2199001087  | CONDENSER INSTALLATION BOARD            | 1   |
| 18    | X17304110150 | CONDENSER                               | 1   |
| 19    | X16357020026 | FILTER FIXER                            | 1   |
| 20    | X22752520021 | CONDENSER FAN MOTOR                     | 1   |
| 21    | X17111250195 | FILTER                                  | 1   |
| 22    | X17202163125 | COMPRESSOR (EM2X3125U/110V/R290)        | 1   |
| 23    | X2199001088  | INNER DRAIN PAN                         | 1   |
| 24    | X17405080340 | EVAPORATOR                              | 1   |
| 25    | X2199001103  | FIXED MOUNTS FOR BACK GRILL             | 1   |
| 26    | X2199001090  | COMPRESSOR INSTALLATION BOARD           | 11  |
| 27    | X51330045401 | COMPRESSOR COMPONENT                    | 1   |

| Ref # | Part Number  | Description                       | Qty |
|-------|--------------|-----------------------------------|-----|
| 28    | X2199001136  | EVAPORATOR COVER                  | 1   |
| 29    | X16357060003 | TEMPERATURE PROBE FIXER           | 1   |
| 30    | X17649490016 | TEMPERATURE PROBE                 | 1   |
| 31    | X2199001105  | EVAPORATOR FAN INSTALLATION BOARD | 1   |
| 32    | X16381738082 | EVAPORATOR FAN BLADE              | 1   |
| 33    | X12504050201 | EVAPORATOR FAN HOLDER             | 1   |
| 34    | X22752520007 | EVAPORATOR FAN MOTOR              | 1   |
| 35    | X17740410069 | LED LIGHT                         | 1   |
| 36    | X2199001137  | TOP BOARD                         | 1   |
| 37    | X2199001094  | TOP BOARD FIXER                   | 8   |
| 38    | X2199001095  | K STRIP                           | 12  |
| 39    | X5302000003  | K CLIP                            | 16  |
| 40    | X12502012754 | SHELF/LEFT AND RIGHT              | 4   |
| 41    | X2199001096  | UPPER RIGHT HINGE                 | 2   |
| 42    | X16353010008 | AXIS COVER                        | 6   |
| 43    | X16401000075 | GASKET                            | 3   |
| 44    | X12546310002 | KEY                               | 3   |
| 45    | X2199001097  | LOCK PLATE                        | 3   |
| 46    | X12546100952 | LOCK                              | 3   |
| 47    | X2199001098  | UPPER LIGHT HINGE                 | 1   |
| 48    | ****         | CABINET                           | 1   |
| 49    | X16337030003 | DOOR HANDLE                       | 3   |
| 50    | X2199001138  | MIDDLE BEAM COVER                 | 2   |
| 51    | X2199001139  | AIR DEFLECTOR                     | 1   |
| 52    | X2199001328  | BAFFLE                            | 2   |
| 53    | X16369690006 | PLASTIC CONNECTOR                 | 2   |
| 54    | X16413130007 | RUBBER PAD                        | 1   |
| 55    | X12599993000 | BEER TOWER KIT - ONE TAP          | 2   |