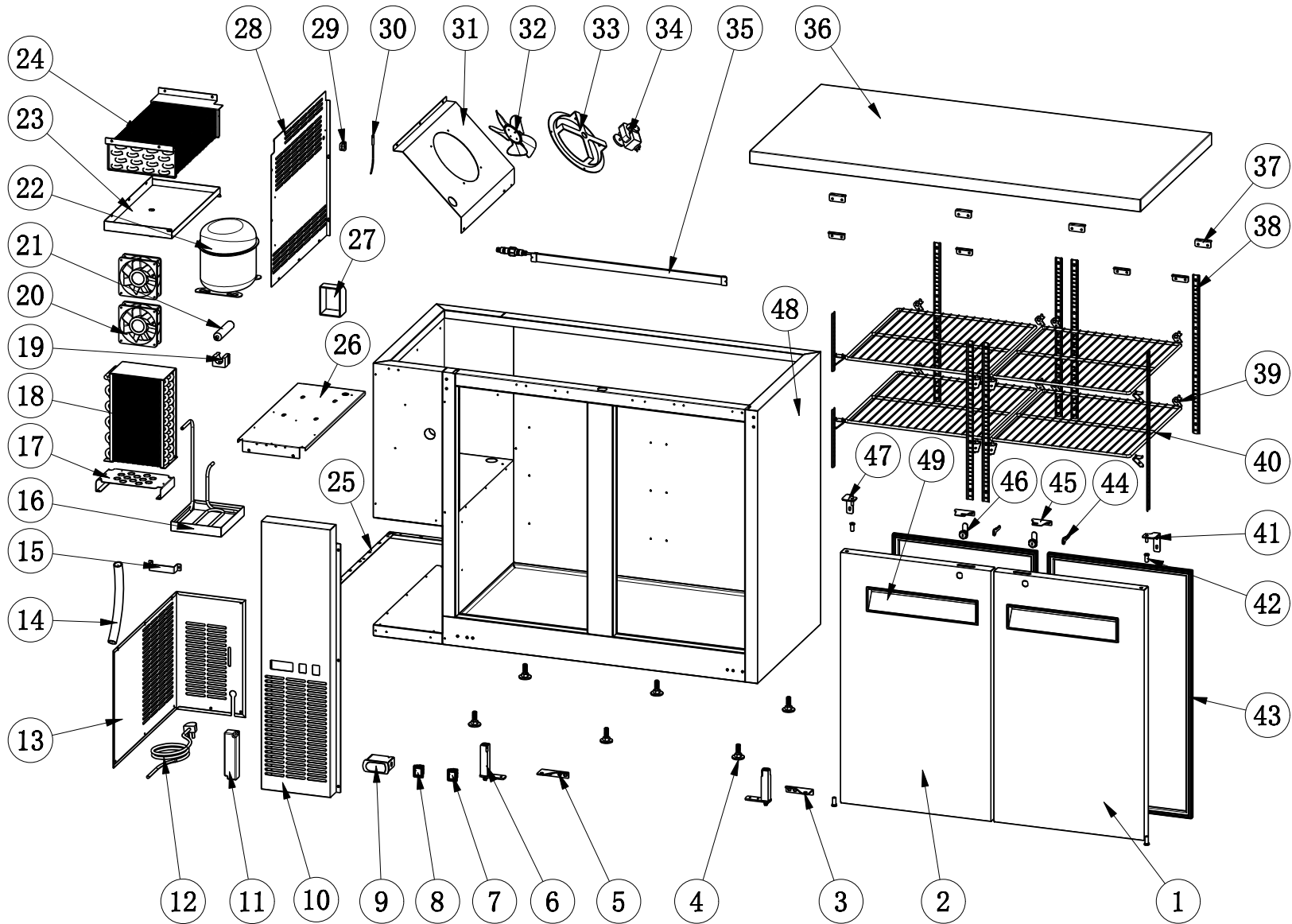




PART LIST FOR 24" DEPTH BACK BAR BOTTLE COOLER SOLID DOOR AND GLASS DOOR



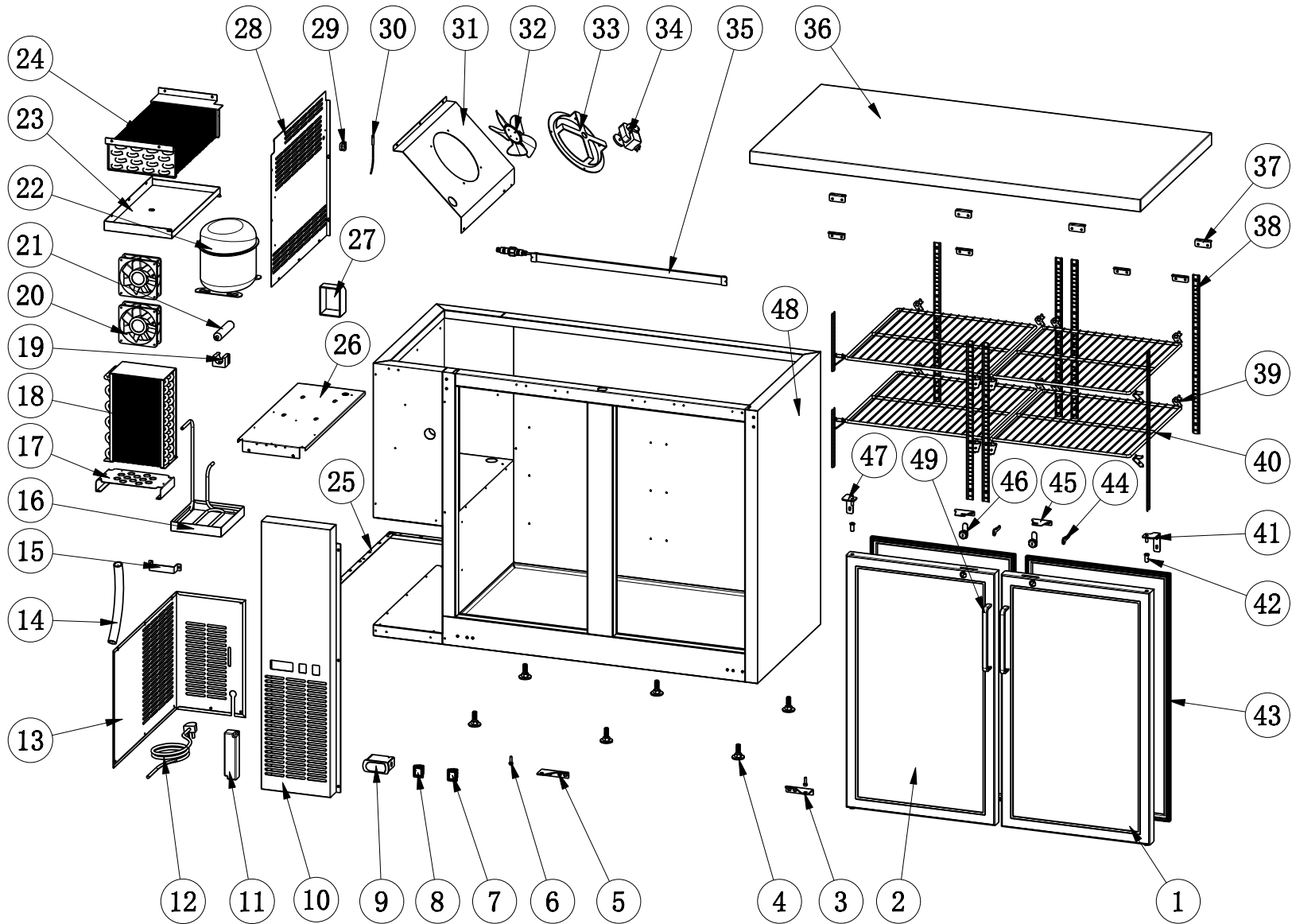
For Parts Call 704-900-2068, Option #2



EBB49-24X

Parts Listing for EBB24-24X

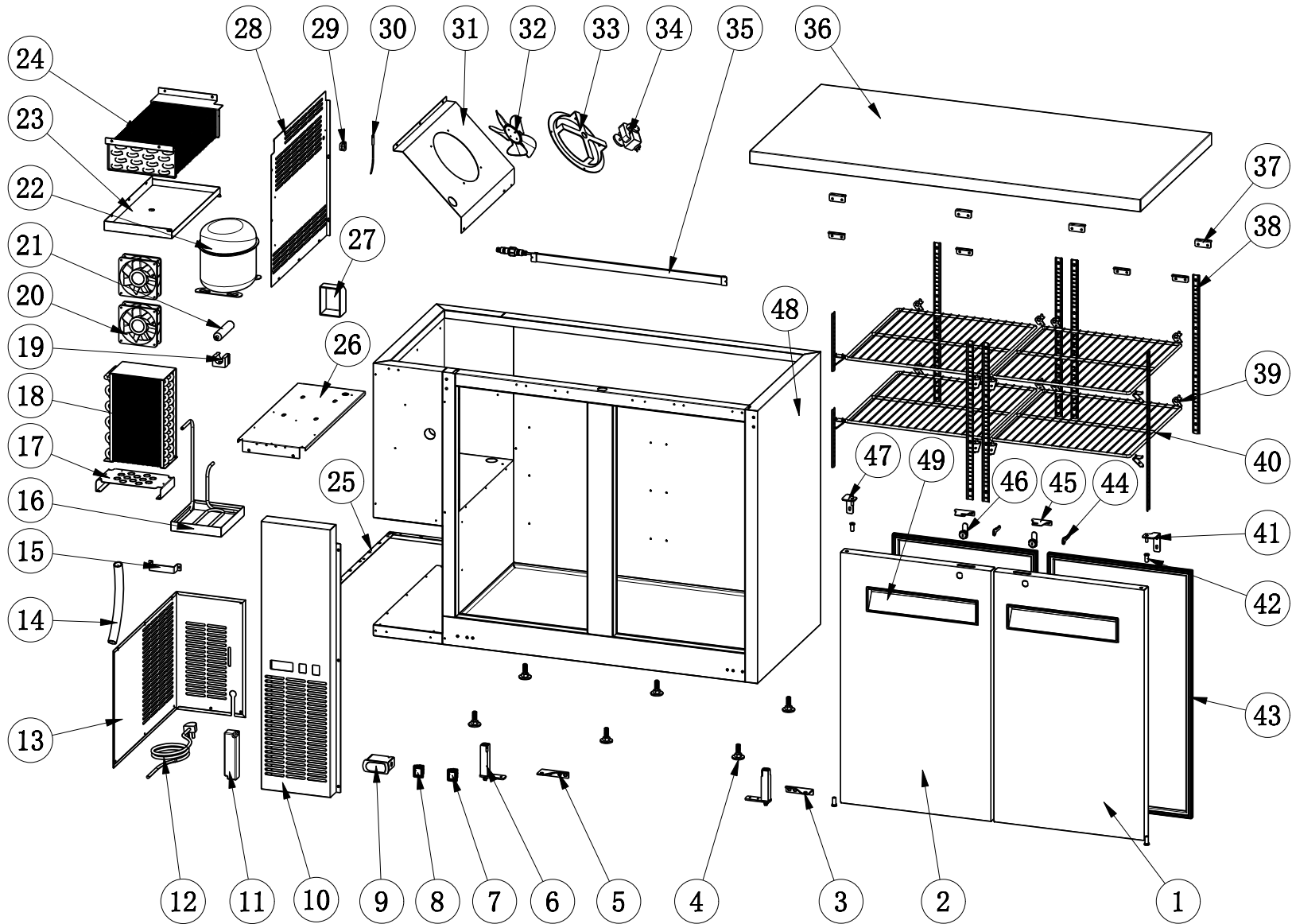
Ref #	Part Number	Description	Qty	Ref #	Part Number	Description	Qty
1	X2199001324	RIGHT DOOR	1	24	X17405080340	EVAPORATOR	1
2	X2199001325	LEFT DOOR	1	25	X2199001089	FIXED MOUNTS FOR BACK GRILL	1
3	X12517140004	BOTTOM RIGHT HINGE	1	26	X2199001090	COMPRESSOR INSTALLATION BOARD	11
4	X12534030002	LEVELING FEET	6	27	X51330049301	COMPRESSOR COMPONENT	1
4.1	X12533040010	3" CASTER WITHOUT BRAKE	2	28	X2199001091	EVAPORATOR COVER	1
4.1	X12533040015	3" CASTER WITH BRAKE	2	29	X16357060003	TEMPERATURE PROBE FIXER	1
5	X12517140005	BOTTOM LEFT HINGE	1	30	X17649490013	TEMPERATURE PROBE	1
6	X12517010001	BOTTOM HINGE AXIS	2	31	X2199001092	EVAPORATOR FAN INSTALLATION BOARD	1
7	X17749211297	POWER SWITCH	1	32	X16381738082	EVAPORATOR FAN BLADE	1
8	X17749180002	LED LIGHT SWITCH	1	33	X12504050201	EVAPORATOR FAN HOLDER	1
9	X17505200002	THERMOSTAT (XR03CX-4N0F1/115V)	1	34	X22752520007	EVAPORATOR FAN MOTOR	1
10	X2199001084	CONTROL PANEL	1	35	X17740410069	LED LIGHT	1
11	X22753530013	LED POWER SUPPLY	1	36	X2199001093	TOP BOARD	1
12	X17664640064	POWER CORD	1	37	X2199001094	TOP BOARD FIXER	8
13	X2199001085	BACK GRILL	1	38	X2199001095	K STRIP	8
14	X15818180020	DRAIN HOSE	1	39	X5302000003	K CLIP	16
15	X2199001086	HANDLE OF COMPRESSOR INSTALLATION BOARD	1	40	X12502448461	SHELF	4
16	X16316130005	OUTER DRAIN PAN	1	41	X2199001096	UPPER RIGHT HINGE	1
17	X2199001087	CONDENSER INSTALLATION BOARD	1	42	X16353010008	AXIS COVER	4
18	X17304110150	CONDENSER	1	43	X16401440763	GASKET	2
19	X16357020026	FILTER FIXER	1	44	X12546310002	KEY	2
20	X1003001114715	CONDENSER FAN MOTOR	2	45	X2199001097	LOCK PLATE	2
21	X17111250195	FILTER	1	46	X12546100952	LOCK	2
22	X17202163117	COMPRESSOR	1	47	X2199001098	UPPER LIGHT HINGE	1
23	X2199001088	INNER DRAIN PAN	1	49	X16337030003	DOOR HANDLE	2



EBB49-24GX

Part Listing for EBB49-24GX

Ref #	Part Number	Description	Qty	Ref #	Part Number	Description	Qty
1	X14201010013	RIGHT GLASS DOOR	1	24	X17405080340	EVAPORATOR	1
2	X14201010014	LEFT GLASS DOOR	1	25	X2199001089	FIXED MOUNTS FOR BACK GRILL	1
3	X12517140004	BOTTOM RIGHT HINGE	1	26	X2199001090	COMPRESSOR INSTALLATION BOARD	11
4	X12534030002	LEVELING FEET	6	27	X51330049301	COMPRESSOR COMPONENT	1
4.1	X12533040010	3" CASTER WITHOUT BRAKE	2	28	X2199001091	EVAPORATOR COVER	1
4.1	X12533040015	3" CASTER WITH BRAKE	2	29	X16357060003	TEMPERATURE PROBE FIXER	1
5	X12517140005	BOTTOM LEFT HINGE	1	30	X17649490013	TEMPERATURE PROBE	1
6	X12515030002	BOTTOM HINGE AXIS	2	31	X2199001092	EVAPORATOR FAN INSTALLATION BOARD	1
7	X17749211297	POWER SWITCH	1	32	X16381738082	EVAPORATOR FAN BLADE	1
8	X17749180002	LED LIGHT SWITCH	1	33	X12504050201	EVAPORATOR FAN HOLDER	1
9	X17505200002	THERMOSTAT	1	34	X22752520007	EVAPORATOR FAN MOTOR	1
10	X2199001084	CONTROL PANNEL	1	35	X17740410069	LED LIGHT	1
11	X22753530013	LED POWER SUPPLY	1	36	X2199001093	TOP BOARD	1
12	X17664640064	POWER CORD	1	37	X2199001094	TOP BOARD FIXER	8
13	X2199001085	BACK GRILL	1	38	X2199001095	K STRIP	8
14	X15818180020	DRAIN HOSE	1	39	X5302000003	K CLIP	16
15	X2199001086	HANDLE OF COMPRESSOR INSTALLATION BOARD	1	40	X12502448461	SHELF	4
16	X16316130005	OUTER DRAIN PAN	1	41	X2199001096	UPPER RIGHT HINGE	1
17	X2199001087	CONDENSER INSTALLATION BOARD	1	42	X16353010008	AXIS COVER	4
18	X17304110150	CONDENSER	1	43	X16401000048	GASKET	2
19	X16357020026	FILTER FIXER	1	44	X12546460001	KEY	2
20	X1003001114715	CONDENSER FAN MOTOR	2	45	X2199001097	LOCK PLATE	2
21	X17111250195	FILTER	1	46	X12546310004	LOCK	2
22	X17202163117	COMPRESSOR	1	47	X2199001098	UPPER LIGHT HINGE	1
23	X16316130005	INNER DRAIN PAN	1	49	X12526260021	GLASS DOOR HANDLE	2

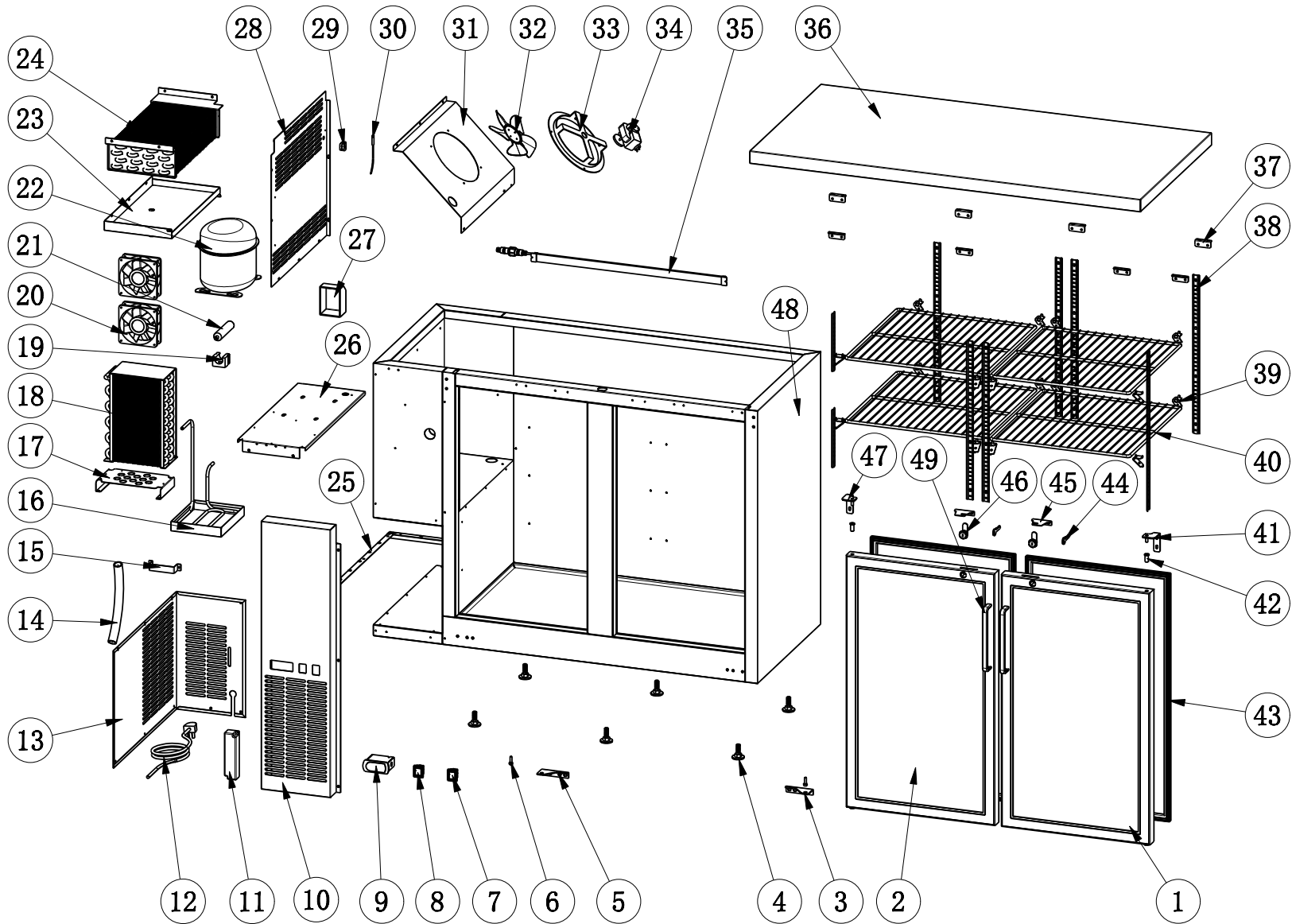


EBB60-24X

EBB60-24X

Ref #	Part Number	Description	Qty
1	X2199001109	RIGHT DOOR	1
2	X2199001110	LEFT DOOR	1
3	X12517140004	BOTTOM RIGHT HINGE	1
4	X12534030002	LEVELING FEET	6
4.1	X12533040010	3" CASTER WITHOUT BRAKE	2
4.1	X12533040015	3" CASTER WITH BRAKE	2
5	X12517140005	BOTTOM LEFT HINGE	1
6	X12517010001	BOTTOM HINGE AXIS	2
7	X17749211297	POWER SWITCH	1
8	X17749180002	LED LIGHT SWITCH	1
9	X17505200002	THERMOSTAT	1
10	X2199001084	CONTROL PANNEL	1
11	X22753530013	LED POWER SUPPLY	1
12	X17664640064	POWER CORD	1
13	X2199001085	BACK GRILL	1
14	X15818180020	DRAIN HOSE	1
15	X2199001086	HANDLE OF COMPRESSOR INSTALLATION BOARD	1
16	X16316130005	OUTER DRAIN PAN	1
17	X2199001087	CONDENSER INSTALLATION BOARD	1
18	X17304110150	CONDENSER	1
19	X16357020026	FILTER FIXER	1
20	X1003001114715	CONDENSER FAN MOTOR	2
21	X17111250195	FILTER	1
22	X17202163117	COMPRESSOR (EM2X3117U/115V/60HZ/R290)	1
23	X2199001088	INNER DRAIN PAN	1

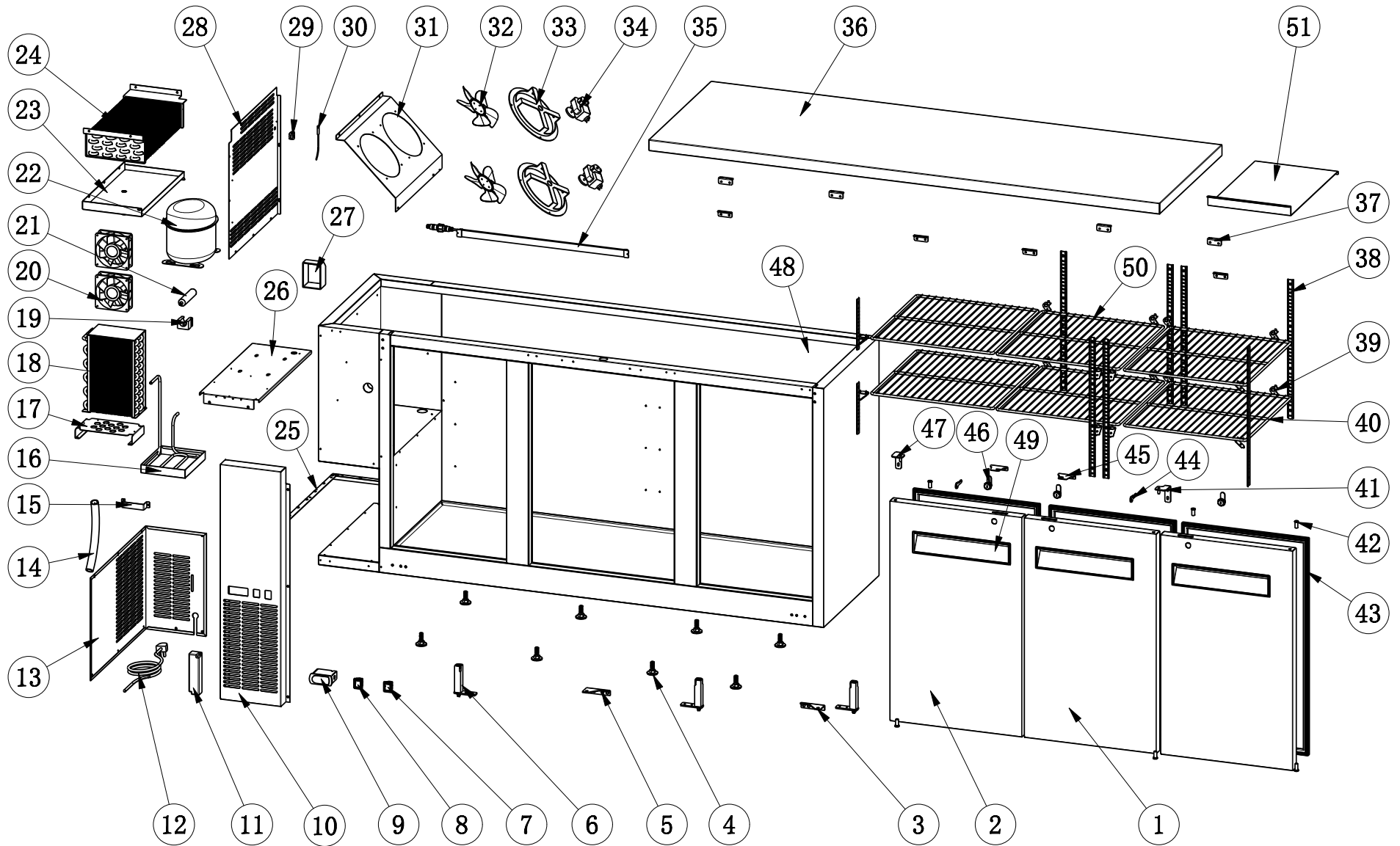
Ref #	Part Number	Description	Qty
24	X17405080340	EVAPORATOR	1
25	X2199001089	FIXED MOUNTS FOR BACK GRILL	1
26	X2199001090	COMPRESSOR INSTALLATION BOARD	11
27	X51330049301	COMPRESSOR COMPONENT	1
28	X2199001091	EVAPORATOR COVER	1
29	X16357060003	TEMPERATURE PROBE FIXER	1
30	X17649490013	TEMPERATURE PROBE	1
31	X2199001092	EVAPORATOR FAN INSTALLATION BOARD	1
32	X16381738082	EVAPORATOR FAN BLADE	1
33	X12504050201	EVAPORATOR FAN HOLDER	1
34	X22752520007	EVAPORATOR FAN MOTOR	1
35	X17740410069	LED LIGHT	1
36	X2199001111	TOP BOARD	1
37	X2199001094	TOP BOARD FIXER	8
38	X2199001095	K STRIP	8
39	X5302000003	K CLIP	16
40	X12502460601	SHELF	4
41	X2199001096	UPPER RIGHT HINGE	1
42	X16353010008	AXIS COVER	4
43	X16401592763	GASKET	2
44	X12546310002	KEY	2
45	X2199001097	LOCK PLATE	2
46	X12546100952	LOCK	2
47	X2199001098	UPPER LIGHT HINGE	1
49	X16337030003	DOOR HANDLE	2



EBB60-24GX

EBB60-24GX

Ref #	Part Number	Description	Qty	Ref #	Part Number	Description	Qty
1	X14201010015	RIGHT GLASS DOOR	1	24	X17405080340	EVAPORATOR	1
2	X14201010016	LEFT GLASS DOOR	1	25	X2199001089	FIXED MOUNTS FOR BACK GRILL	1
3	X12517140004	BOTTOM RIGHT HINGE	1	26	X2199001090	COMPRESSOR INSTALLATION BOARD	11
4	X12534030002	LEVELING FEET	6	27	X51330049301	COMPRESSOR COMPONENT	1
4.1	X12533040010	3" CASTER WITHOUT BRAKE	2	28	X2199001091	EVAPORATOR COVER	1
4.1	X12533040015	3" CASTER WITH BRAKE	2	29	X16357060003	TEMPERATURE PROBE FIXER	1
5	X12517140005	BOTTOM LEFT HINGE	1	30	X17649490013	TEMPERATURE PROBE	1
6	X12515030002	BOTTOM HINGE AXIS	2	31	X2199001092	EVAPORATOR FAN INSTALLATION BOARD	1
7	X17749211297	POWER SWITCH	1	32	X16381738082	EVAPORATOR FAN BLADE	1
8	X17749180002	LED LIGHT SWITCH	1	33	X12504050201	EVAPORATOR FAN HOLDER	1
9	X17505200002	THERMOSTAT	1	34	X22752520007	EVAPORATOR FAN MOTOR	1
10	X2199001084	CONTROL PANNEL	1	35	X17740410069	LED LIGHT	1
11	X22753530013	LED POWER SUPPLY	1	36	X2199001099	TOP BOARD	1
12	X17664640064	POWER CORD	1	37	X2199001094	TOP BOARD FIXER	8
13	X2199001085	BACK GRILL	1	38	X2199001095	K STRIP	8
14	X15818180020	DRAIN HOSE	1	39	X5302000003	K CLIP	16
15	X2199001086	HANDLE OF COMPRESSOR INSTALLATION BOARD	1	40	X12502460601	SHELF	4
16	X16316130005	OUTER DRAIN PAN	1	41	X2199001096	UPPER RIGHT HINGE	1
17	X2199001087	CONDENSER INSTALLATION BOARD	1	42	X16353010008	AXIS COVER	4
18	X17304110150	CONDENSER	1	43	X16401000060	GASKET	2
19	X16357020026	FILTER FIXER	1	44	X12546460001	KEY	2
20	X1003001114715	CONDENSER FAN MOTOR	2	45	X2199001097	LOCK PLATE	2
21	X17111250195	FILTER	1	46	X12546310004	LOCK	2
22	X17202163117	COMPRESSOR	1	47	X2199001098	UPPER LIGHT HINGE	1
23	X2199001088	INNER DRAIN PAN	1	49	X12526260021	GLASS DOOR HANDLE	2



EBB72-24X

Part Listing for EBB72-24X

Ref #	Part Number	Description	Qty
1	X2199001112	RIGHT DOOR	2
2	X2199001113	LEFT DOOR	1
3	X12517140004	BOTTOM RIGHT HINGE	2
4	X12534030002	LEVELING FEET	8
4.1	X12533040010	3" CASTER WITHOUT BRAKE	2
4.1	X12533040015	3" CASTER WITH BRAKE	2
5	X12517140005	BOTTOM LEFT HINGE	1
6	X12517010001	BOTTOM HINGE AXIS	3
7	X17749211297	POWER SWITCH	1
8	X17749180002	LED LIGHT SWITCH	1
9	X17505200002	THERMOSTAT	1
10	X2199001084	CONTROL PANNEL	1
11	X22753530013	LED POWER SUPPLY	1
12	X17664640064	POWER CORD	1
13	X2199001085	BACK GRILL	1
14	X15818180020	DRAIN HOSE	1
15	X2199001086	HANDLE OF COMPRESSOR INSTALLATION BOARD	1
16	X16316130005	OUTER DRAIN PAN	1
17	X2199001087	CONDENSER INSTALLATION BOARD	1
18	X17304110150	CONDENSER	1
19	X16357020026	FILTER FIXER	1
20	X22752520021	CONDENSER FAN MOTOR	2
21	X17111250195	FILTER	1
22	X17202163121	COMPRESSOR (EM2X3121U//115V/R290)	1
23	X2199001088	INNER DRAIN PAN	1
24	X17405080340	EVAPORATOR	1

Ref #	Part Number	Description	Qty
25	X2199001089	FIXED MOUNTS FOR BACK GRILL	1
26	X2199001090	COMPRESSOR INSTALLATION BOARD	11
27	X51330045501	COMPRESSOR COMPONENT	1
28	X2199001100	EVAPORATOR COVER	1
29	X16357060003	TEMPERATURE PROBE FIXER	1
30	X17649490016	TEMPERATURE PROBE	1
31	X2199001092	EVAPORATOR FAN INSTALLATION BOARD	1
32	X16381738082	EVAPORATOR FAN BLADE	2
33	X12504050201	EVAPORATOR FAN HOLDER	2
34	X22752520007	EVAPORATOR FAN MOTOR	2
35	X17740410069	LED LIGHT	1
36	X2199001101	TOP BOARD	1
37	X2199001094	TOP BOARD FIXER	8
38	X2199001095	K STRIP	12
39	X5302000003	K CLIP	24
40	X12502460601	SHELF/LEFT AND RIGHT	4
41	X2199001096	UPPER RIGHT HINGE	2
42	X16353010008	AXIS COVER	6
43	X16401478763	GASKET	3
44	X12546310002	KEY	3
45	X2199001097	LOCK PLATE	3
46	X12546100952	LOCK	3
47	X2199001098	UPPER LIGHT HINGE	1
49	X16337030003	DOOR HANDLE	3
50	X12502460522	MIDDLE SHELF	2
51	X2199001116	AIR DEFLECTOR	1

Part Listing for EBB72-24GX

Ref #	Part Number	Description	Qty
1	X14201010017	RIGHT GLASS DOOR	2
2	X14201010018	LEFT GLASS DOOR	1
3	X12517140004	BOTTOM RIGHT HINGE	2
4	X12534030002	LEVELING FEET	8
4.1	X12533040010	3" CASTER WITHOUT BRAKE	2
4.1	X12533040015	3" CASTER WITH BRAKE	2
5	X12517140005	BOTTOM LEFT HINGE	1
6	X12515030002	BOTTOM HINGE AXIS	3
7	X17749211297	POWER SWITCH	1
8	X17749180002	LED LIGHT SWITCH	1
9	X17505200002	THERMOSTAT	1
10	X2199001084	CONTROL PANNEL	1
11	X22753530013	LED POWER SUPPLY	1
12	X17664640064	POWER CORD	1
13	X2199001085	BACK GRILL	1
14	X15818180020	DRAIN HOSE	1
15	X2199001086	HANDLE OF COMPRESSOR INSTALLATION BOARD	1
16	X16316130005	OUTER DRAIN PAN	1
17	X2199001087	CONDENSER INSTALLATION BOARD	1
18	X17304110150	CONDENSER	1
19	X16357020026	FILTER FIXER	1
20	X22752520021	CONDENSER FAN MOTOR	2
21	X17111250195	FILTER	1
22	X17202163121	COMPRESSOR	1
23	X2199001088	INNER DRAIN PAN	1
24	X17405080340	EVAPORATOR	1

Ref #	Part Number	Description	Qty
25	X2199001089	FIXED MOUNTS FOR BACK GRILL	1
26	X2199001090	COMPRESSOR INSTALLATION BOARD	11
27	X51330045501	COMPRESSOR COMPONENT	1
28	X2199001100	EVAPORATOR COVER	1
29	X16357060003	TEMPERATURE PROBE FIXER	1
30	X17649490016	TEMPERATURE PROBE	1
31	X2199001092	EVAPORATOR FAN INSTALLATION BOARD	1
32	X16381738082	EVAPORATOR FAN BLADE	2
33	X12504050201	EVAPORATOR FAN HOLDER	2
34	X22752520007	EVAPORATOR FAN MOTOR	2
35	X17740410069	LED LIGHT	1
36	X2199001101	TOP BOARD	1
37	X2199001094	TOP BOARD FIXER	8
38	X2199001095	K STRIP	12
39	X5302000003	K CLIP	24
40	X12502460601	SHELF/LEFT AND RIGHT	4
41	X2199001096	UPPER RIGHT HINGE	2
42	X16353010008	AXIS COVER	6
43	X16401000072	GASKET	3
44	X12546460001	KEY	3
45	X2199001097	LOCK PLATE	3
46	X12546310004	LOCK	3
47	X2199001098	UPPER LIGHT HINGE	1
49	X12526260021	GLASS DOOR HANDLE	3
50	X12502460522	MIDDLE SHELF	2
51	X2199001116	AIR DEFLECTOR	1