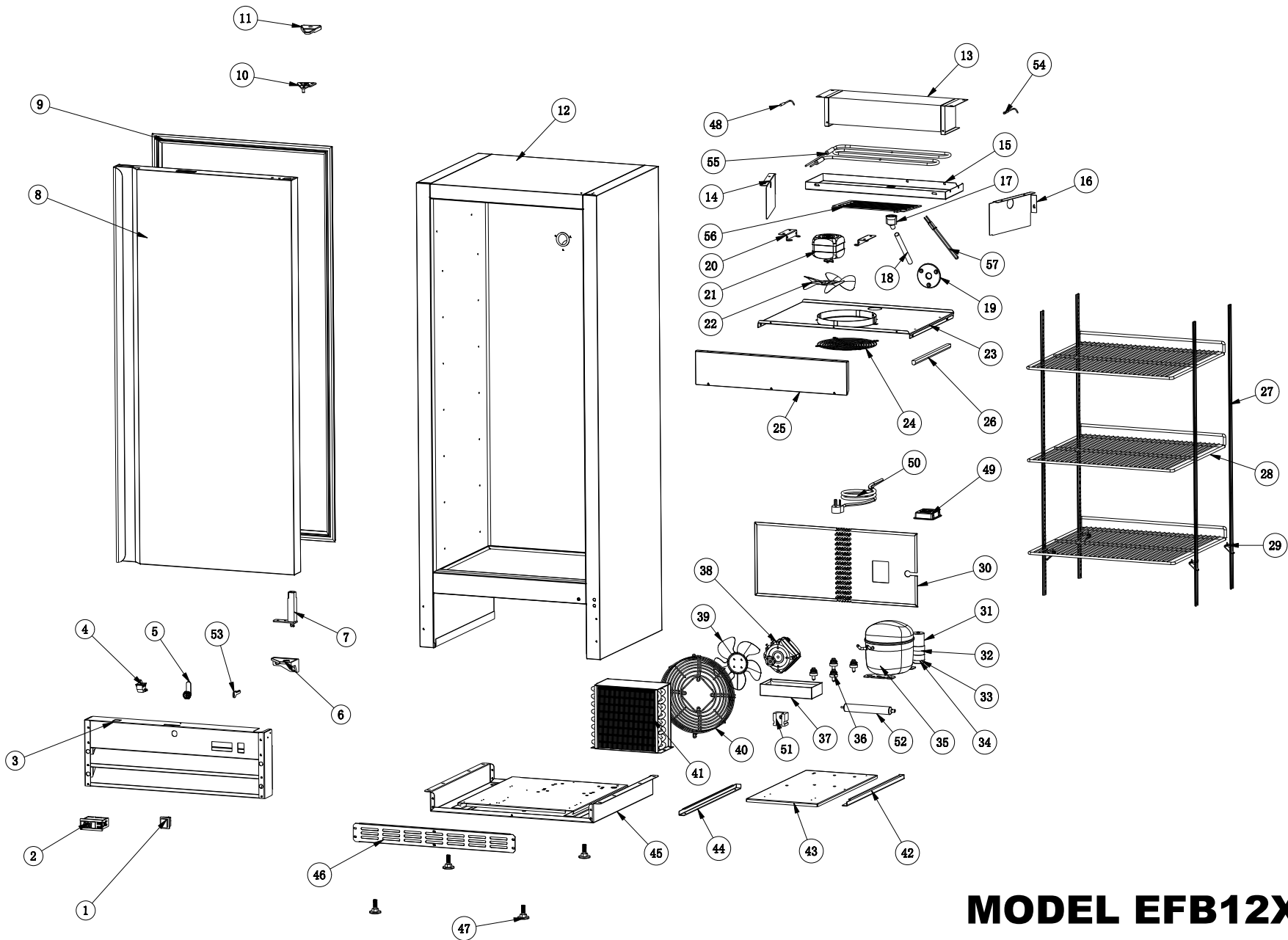




PART LIST FOR REACH-IN MODELS:
ERB12X, EFB12X, ERB19X, EFB19X
ERB35X, AND EFB35X



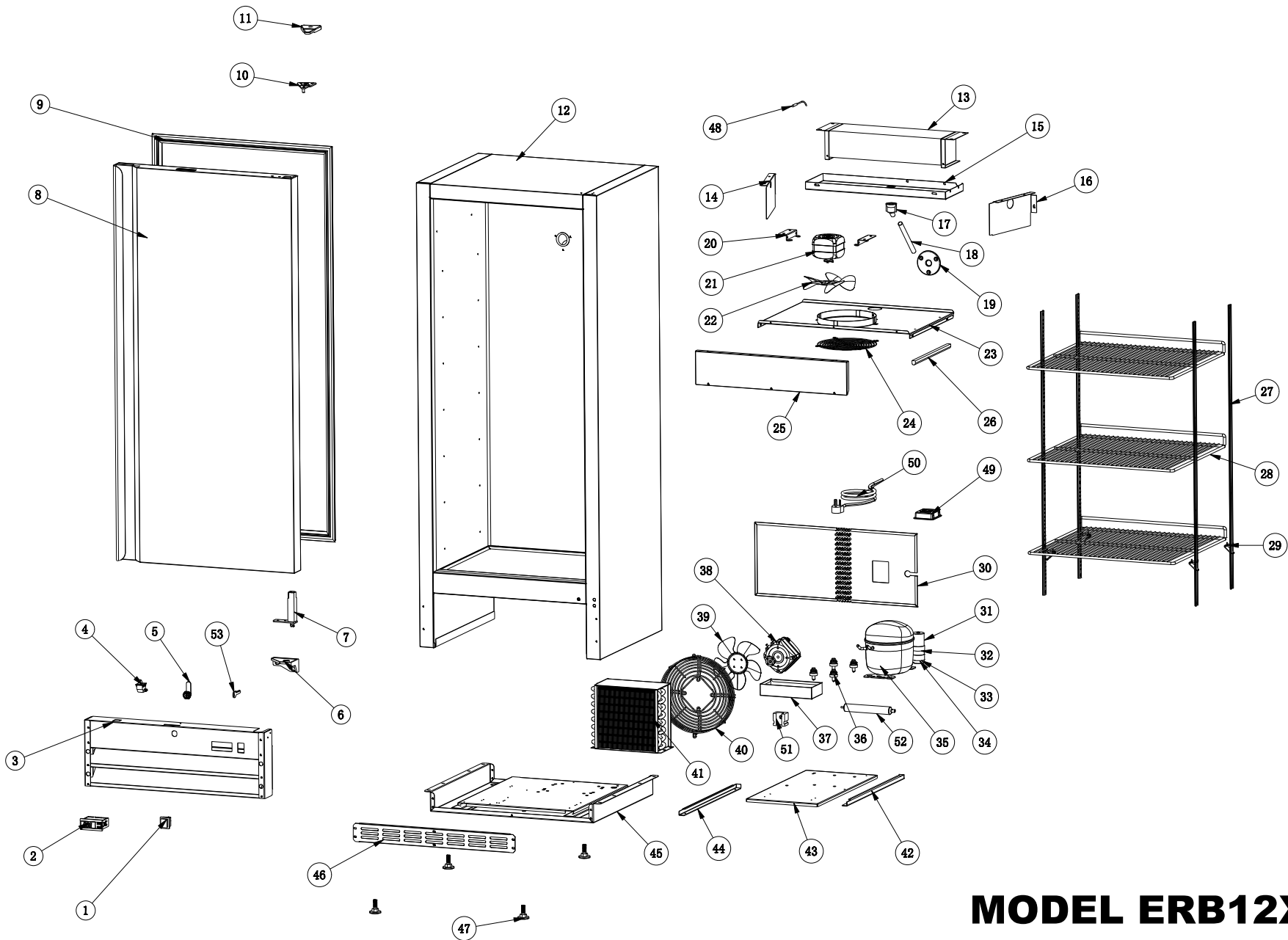
For Parts Call 704-900-2068, Option #2



MODEL EFB12X

MODEL EFB12X

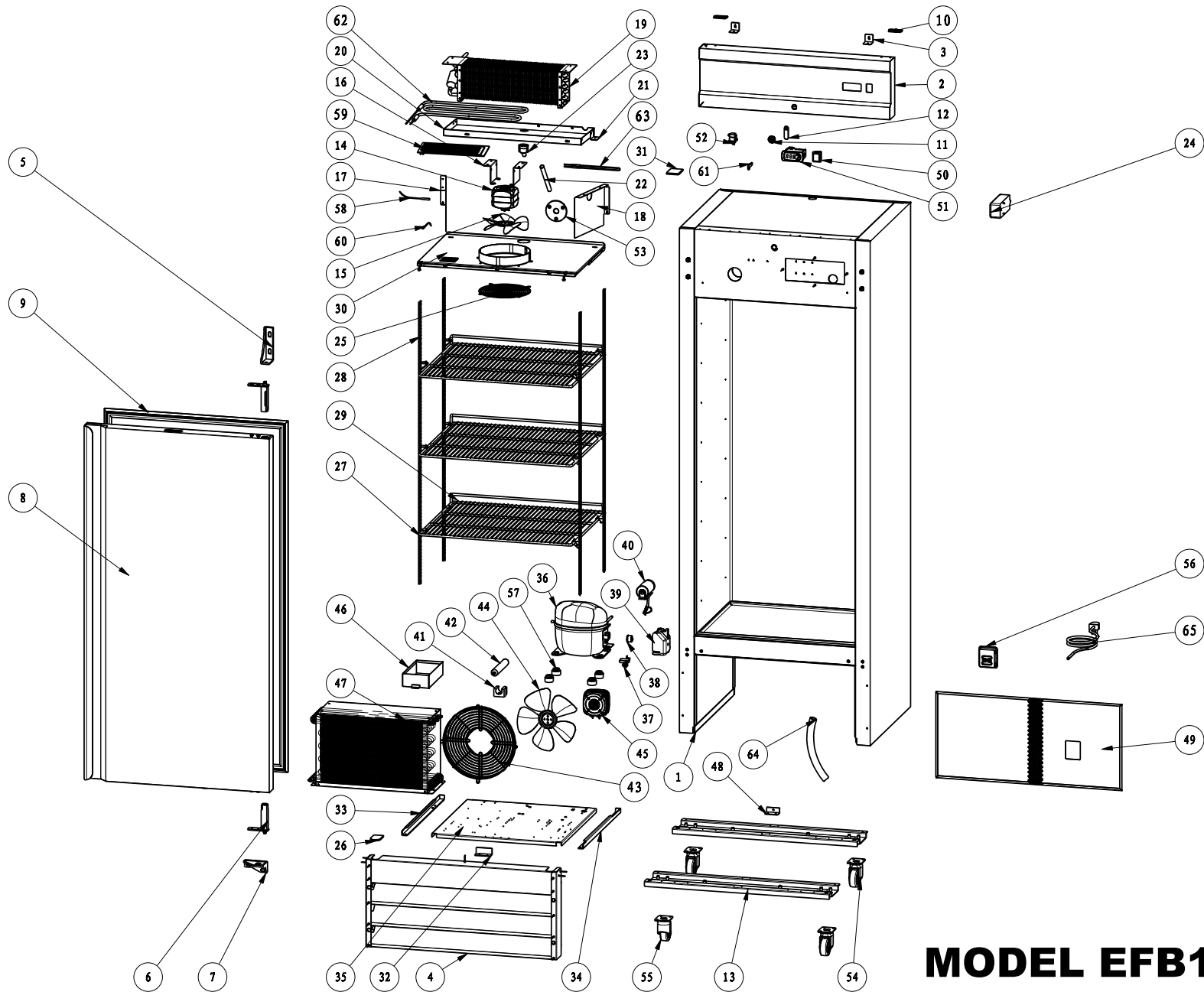
NO.	PART #	DESCRIPTION	QTY
1	XRI0056	POWER SWITCH	1
2	XRI0059	THERMOSTAT (XR06CX-4N0C1-XX)	1
3	X2199001849	LOWER FRONT SHROUD	1
4	XRI0300	DOOR SWITCH	1
5	XX-H00340	LOCK SET WITH 2 KEYS	1
6	XX-BRH005	HINGE BOTTOM RIGHT	1
7	XX-DC0328	HINGE CARTRIDGE, SELF CLOSING	1
8	XRI0023-12	DOOR ERB12X	1
9	XRI0112	GASKET (49" X 23.26")	1
10	X12518014790	HINGE UPPER RIGHT	1
11	UC0014	HINGE UPPER RIGHT - COVER	1
12	N/A	CABINET	1
13	XRI0712	EVAPORATOR COIL	1
14	N/A	LEFT AIR GUIDE SHEET	1
15	XX-IDP112	INNER DRAIN PAN	1
16	N/A	RIGHT AIR GUIDE PANEL	1
17	XRI0101	DRAIN CONNECTOR ELBOW	1
18	XRI0071	DRAIN HOSE	1
19	XRI0073	DRAIN PLUG	1
20	N/A	EVAPORATOR FAN MOTOR BRACKET	1
21	H00114-1	EVAPORATOR FAN MOTOR	1
22	XX-CFB001	FAN BLADE	1
23	X2199001856	EVAPORATOR COVER	1
24	X12504050151	EVAP FAN MOTOR COVER	1
25	N/A	EVAPORATOR COVER 2	1
26	XRI0800	L.E.D. LIGHT (PW3W-18A 12")	1
27	X2199001200	K STRIP	4
28	X12502013371	SHELF (20.2" x 17.7")	3
29	X5302000003	PILASTER CLIP	12
30	XRI1200	BACK GRILL	1
31		SEE START KIT #36	1
35	XX-HC0012	COMPRESSOR (NUT90LR/115VAC/R290)	1
36	XX-HC0012K	START KIT FOR NUT90LR	1
36	X330009	CAP TUBE .035" I.D. X 130" L	1
37	X16316130006	DRAIN PAN OUTER	1
38	H00114-1	CONDENSER FAN MOTOR	1
39	XX-CFB001	FAN BLADE	1
40	XRI0120	CONDENSER FAN MOTOR GUARD/COVER	1
41	X17303080202	CONDENSER COIL	1
42	N/A	RIGHT TRACK FOR ASSEMBLING PANEL	1
43	N/A	COMPRESSOR UNIT INSTALLATION BOARD	1
44	N/A	LEFT TRACK FOR ASSEMBLING PANEL	1
45	N/A	BASE PANEL	1
46	N/A	AIR GUIDE SHEET	1
47	X12534030002	LEVELING FOOT	4
48	XRI0034	EVAPORATOR TEMPERATURE SENSOR (NTC TYPE, 158" BLACK)	1
49	X22753530013	LED POWER SUPPLY	1
50	XX-2194686	POWER CORD (14AWG, NEMA 5-15P) 8'	1
51	XX-H00346	FILTER DRIER BRACKET	1
52	XX-H00341	FILTER DRIER (F25X160-B)	1
53	XX-H00340	LOCK SET WITH 2 KEYS	1
54	XRI0033	EVAPORATOR TEMPERATURE SENSOR (NTC TYPE, 158" BLACK)	1
55	XRI0021	DEFROST HEATER (15.75" X 1.6" - 360W)	1
56	XRI0250	DRAIN PAN HEATER (18.5" X 7" - 50W)	1
57	XRI0210	DRAIN HOSE HEATER (19" - 10W)	1



MODEL ERB12X

MODEL ERB12X

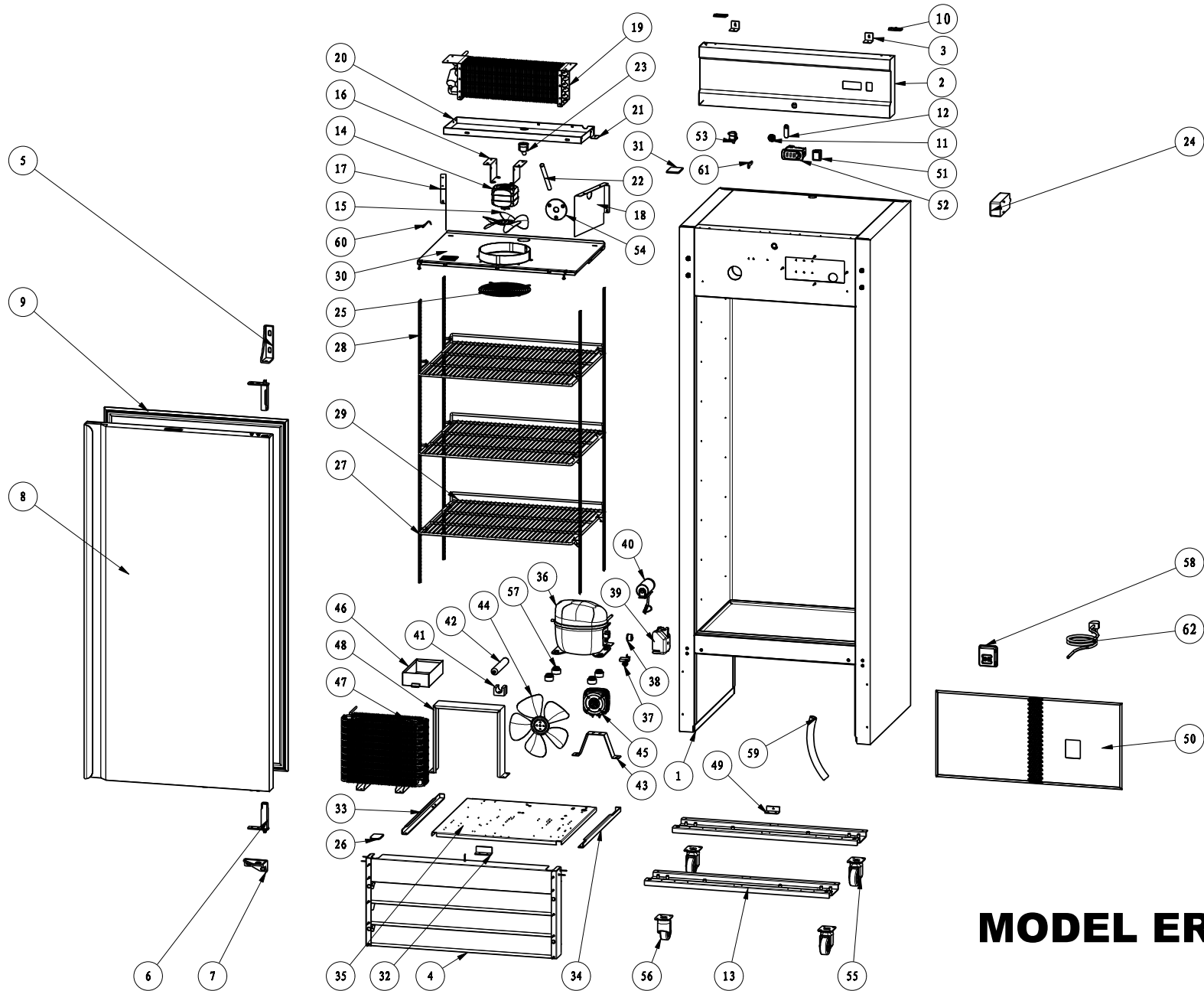
NO.	PART #	DESCRIPTION	QTY
1	XRI0056	POWER SWITCH	1
2	XRI0060	THERMOSTAT (XR03CX-4N0F1)	1
3	X2199001849	LOWER FRONT SHROUD	1
4	XRI0300	DOOR SWITCH	1
5	XX-H00340	LOCK SET WITH 2 KEYS	1
6	XX-BRH005	HINGE BOTTOM RIGHT	1
7	XX-DC0328	HINGE CARTRIDGE, SELF CLOSING	1
8	XRI0023-12	DOOR ERB12X	1
9	XRI0112	GASKET (49" X 23.26")	1
10	X12518014790	HINGE UPPER RIGHT	1
11	UC0014	HINGE UPPER RIGHT - COVER	1
12	N/A	CABINET	1
13	XRI0712	EVAPORATOR COIL	1
14	N/A	LEFT AIR GUIDE SHEET	1
15	XX-IDP112	INNER DRAIN PAN	1
16	N/A	RIGHT AIR GUIDE PANEL	1
17	XRI0101	DRAIN CONNECTOR ELBOW	1
18	XRI0071	DRAIN HOSE	1
19	XRI0073	DRAIN PLUG	1
20	N/A	EVAPORATOR FAN MOTOR BRACKET	1
21	X22752500021	FAN MOTOR	1
22	XX-CFB001	FAN BLADE	1
23	X2199001856	EVAPORATOR COVER	1
24	X12504050151	EVAP FAN MOTOR COVER	1
25	N/A	EVAPORATOR COVER 2	1
26	XRI0800	L.E.D. LIGHT (PW3W-18A 12")	1
27	X2199001200	K STRIP	4
28	X12502013371	SHELF (20.2" x 17.7")	3
29	X5302000003	PILASTER CLIP	12
30	XRI1200	BACK GRILL	1
31		SEE START KIT	1
35	X17202163113	COMPRESSOR (EM2X3113U/115VAC/R290)	1
35	XSTARTKIT02	START KIT FOR EM2X3113U	1
36	X250009	CAP TUBE .035" I.D. X 98.5" L	1
37	X16316130006	DRAIN PAN OUTER	1
38	X22752500021	FAN MOTOR	1
39	XX-CFB001	FAN BLADE	1
40	XRI0120	CONDENSER FAN MOTOR GUARD/COVER	1
41	X17306100231	CONDENSER COIL	1
42	N/A	RIGHT TRACK FOR ASSEMBLING PANEL	1
43	N/A	COMPRESSOR UNIT INSTALLATION BOARD	1
44	N/A	LEFT TRACK FOR ASSEMBLING PANEL	1
45	N/A	BASE PANEL	1
46	N/A	AIR GUIDE SHEET	1
47	X12534030002	LEVELING FOOT	4
48	XRI0034	EVAPORATOR TEMPERATURE SENSOR (NTC TYPE, 158" BLACK)	1
49	X22753530013	LED POWER SUPPLY	1
50	XX-2194684	POWER CORD (16AWG, NEMA 5-15P) 8'	1
51	XX-H00346	FILTER DRIER BRACKET	1
52	XX-H00341	FILTER DRIER (F25X160-B)	1
53	XX-H00340	LOCK SET WITH 2 KEYS	1



MODEL EFB19X

MODEL EFB19X

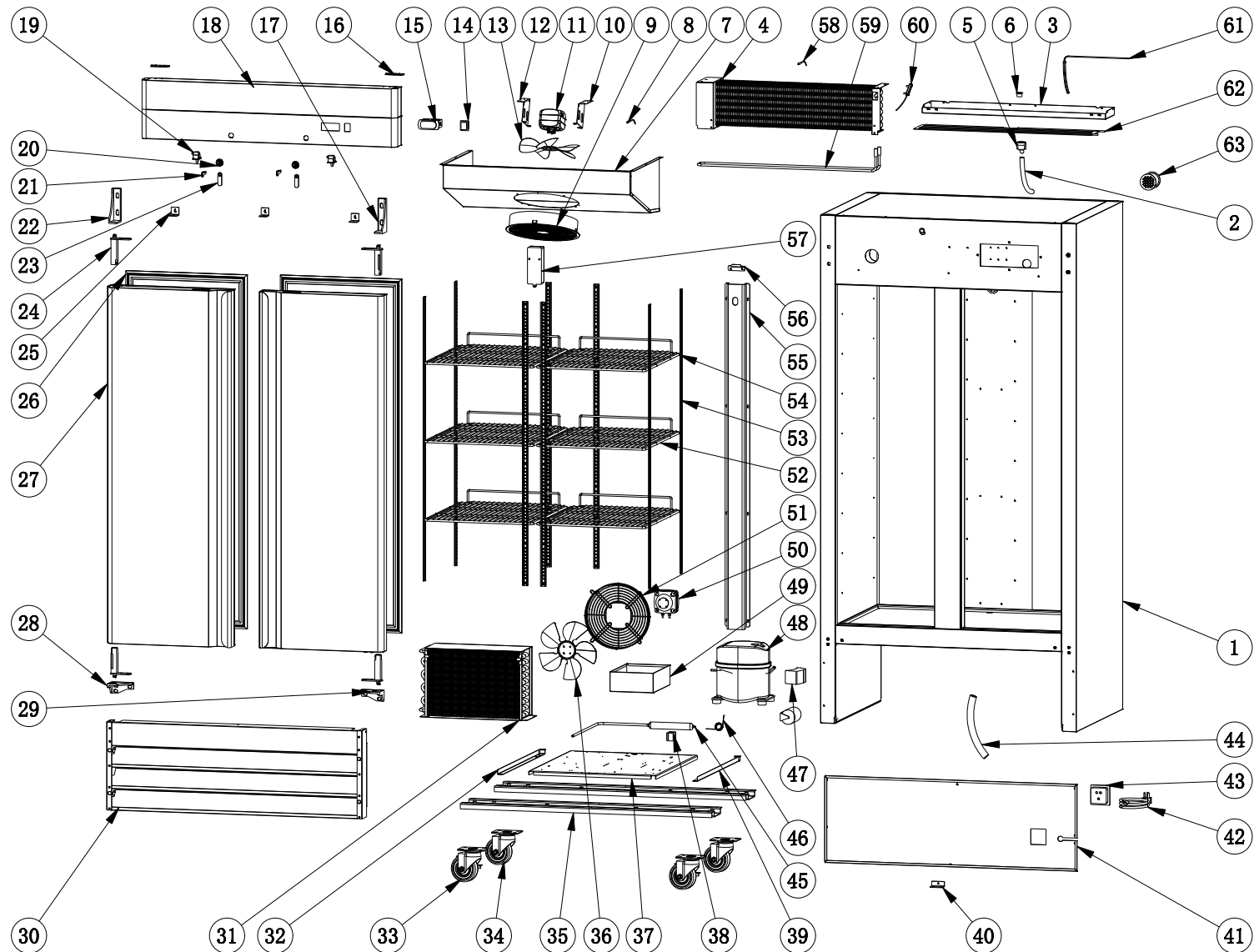
NO.	PART #	DESCRIPTION	QTY
1	N/A	CABINET	1
2	X2199001422	UPPER SHROUD- ENTRÉE	1
3	N/A	CONTROL PANEL BRACKET	2
4	X2199001374	FRONT GRILL	1
5	XX-URH005	HINGE UPPER RIGHT	1
6	XX-DC0328	HINGE CARTRIDGE, SELF CLOSING	2
7	XX-BRH005	HINGE BOTTOM RIGHT	1
8	XRI0023	DOOR W/SS HANDLE	1
8	XRI0023C	DOOR W/SS HANDLE (CENTAUR)	1
9	XRI0040	GASKET	1
10	XRI0084	HINGE (UPPER SHROUD)	1
11	XX-H00340	LOCK SET WITH 2 KEYS	1
12	XX-H00343	LOCK BOLT	1
13	N/A	SUPPORT CHANEL	2
14	XX-EFM023	EVAPORATOR FAN MOTOR W/BLADE	1
15	XX-CFB001	FAN BLADE	1
16	N/A	EVAPORATOR FAN MOTOR MOUNTING BRACKET	1
17	N/A	RIGHT AIR GUIDE SHEET	1
18	N/A	LEFT AIR GUIDE SHEET	1
19	XRI0719F	EVAPORATOR COIL	1
20	X2199001363	DRAIN PAN INNER	1
21	N/A	DRAIN PAN INNER BRACKET	1
22	XRI0071	DRAIN HOSE	1
23	XRI0101	DRAIN CONNECTOR ELBOW	1
24	XRI0048-HC	LIGHT COMPONENTS	1
25	X12504050151	EVAP FAN MOTOR COVER	1
26	XRI0003	TOP & BOTTOM COVER FOR REVERSIBLE DOOR	1
27	X5302000003	PILASTER CLIP	12
28	X2199001185	K STRIP	4
29	X12502013323	SHELF (23.4" x 19.3")	3
30	X2199001365	EVAPORATOR COVER	1
31	XRI0003	TOP & BOTTOM COVER FOR REVERSIBLE DOOR	1
32	N/A	LIMITED BLOCK OF INSTALLATION BOARD	1
33	N/A	LEFT TRACK FOR ASSEMBLING PANEL	1
34	N/A	RIGHT TRACK FOR ASSEMBLING PANEL	1
35	N/A	COMPRESSOR UNIT INSTALLATION BOARD	1
36	XX-HC0007	COMPRESSOR (NLE10CN/115VAC/R290)	1
36	XX-STARTKITC7	START KIT FOR NLE10CN	1
37	X400010	CAP TUBE .039" I.D. X 157.5 L	1
41	XX-H00345	FILTER DRIER BRACKET	1
42	XX-H00341	FILTER DRIER (F25X160-B)	1
43	XRI0122	CONDENSER FAN MOTOR GUARD/COVER	1
44	XRI0015	FAN BLADE	1
45	XX-EFM024	EVAPORATOR FAN MOTOR W/BLADE	1
46	X16316130006	DRAIN PAN OUTER	1
47	XRI0119F	CONDENSER COIL	1
48	N/A	BACK GRILL BRACKET	1
49	XRI0002	BACK GRILL	1
50	XRI0056	POWER SWITCH	1
51	XRI0059	THERMOSTAT (XR06CX-4N0C1-XX)	1
52	XRI0300	DOOR SWITCH	1
53	XRI0073	DRAIN PLUG	1
54	XX-SC0319	CASTER 4" W/O BRAKE	2
55	XX-SCB319	CASTER 4" W/ BRAKE	2
56	N/A	POWER PLUG COVER PLATE	1
57		SEE START KIT	4
58	XRI0039	EVAPORATOR TEMPERATURE SENSOR (NTC TYPE, 118")	1
59	XRI0250	DRAIN PAN HEATER (18.5" X 7" - 50W)	1
60	XRI0038	EVAPORATOR TEMPERATURE SENSOR (NTC TYPE, 118" BLACK)	1
61	XX-H00340	LOCK SET WITH 2 KEYS	1
62	XRI0021	DEFROST HEATER (15.75" X 1.6" - 360W)	1
63	XRI0210	DRAIN HOSE HEATER (19" - 10W)	1
64	XRI0024	DRAIN HOSE	1
65	XX-2194686	POWER CORD (14AWG, NEMA 5-15P) 8'	1



MODEL ERB19X

MODEL ERB19X

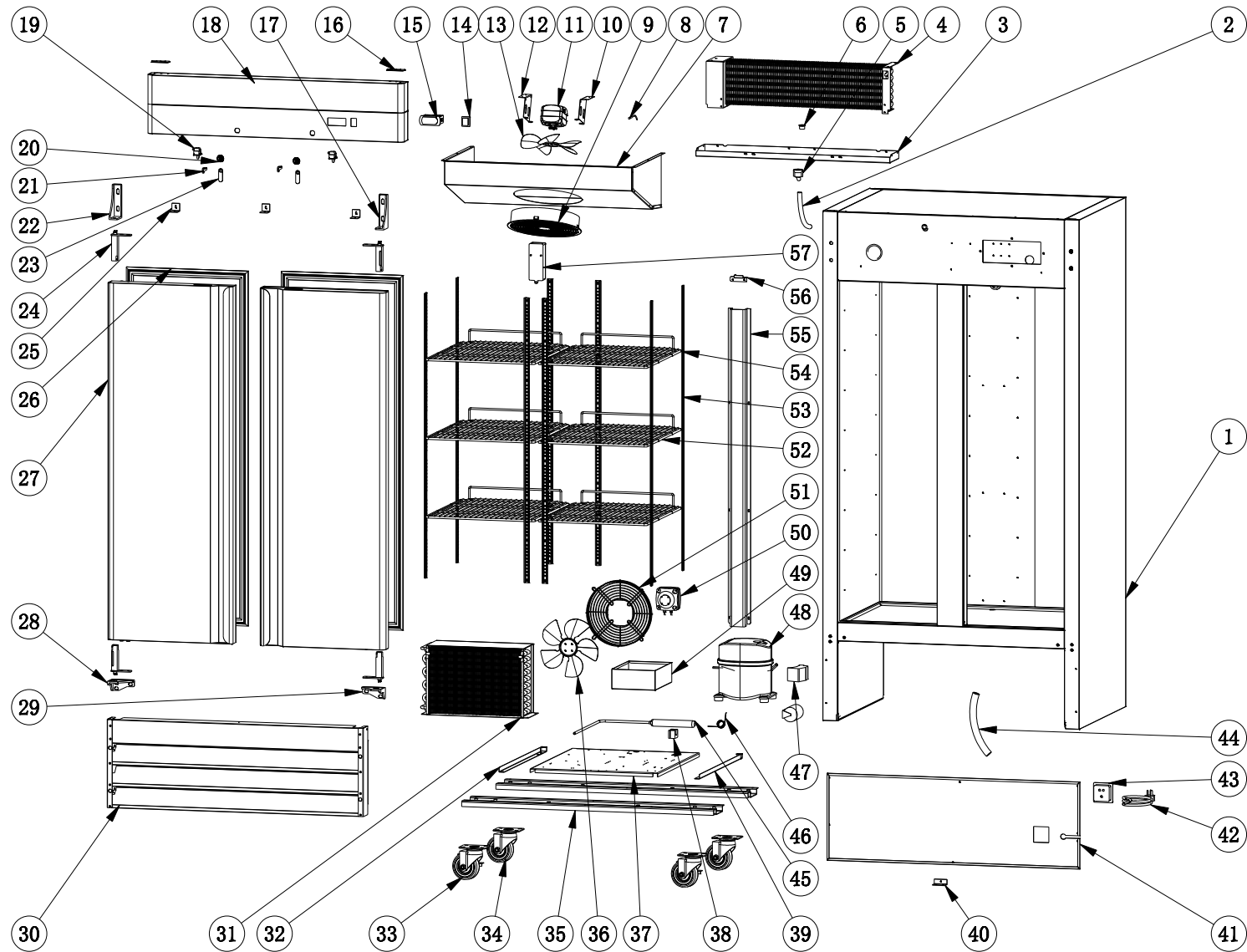
NO.	PART #	DESCRIPTION	QTY
1	N/A	CABINET	1
2	X2199001422	UPPER SHROUD - ENTRÉE	1
3	N/A	CONTROL PANEL BRACKET	2
4	X2199001374	FRONT GRILL	1
5	XX-JRH005	HINGE UPPER RIGHT	1
6	XX-DC0328	HINGE CARTRIDGE, SELF CLOSING	2
7	XX-BRH005	HINGE BOTTOM RIGHT	1
8	XRI0023	DOOR W/SS HANDLE	1
8	XRI0023C	DOOR W/SS HANDLE (CENTAUR)	1
9	XRI0040	GASKET	1
10	XRI0084	HINGE (UPPER SHROUD)	1
11	XX-H00340	LOCK SET WITH 2 KEYS	1
12	XX-H00343	LOCK BOLT	1
13	N/A	SUPPORT CHANEL	2
14	XX-EFM023	EVAPORATOR FAN MOTOR W/BLADE	1
15	XX-CFB001	FAN BLADE	1
16	N/A	EVAPORATOR FAN MOTOR MOUNTING BRACKET	1
17	N/A	RIGHT AIR GUIDE SHEET	1
18	N/A	LEFT AIR GUIDE SHEET	1
19	XRI0719R	EVAPORATOR COIL	1
20	X2199001363	DRAIN PAN INNER	1
21	N/A	DRAIN PAN INNER BRACKET	1
22	XRI0071	DRAIN HOSE	1
23	XRI0101	DRAIN CONNECTOR ELBOW	1
24	XRI0048-HC	LIGHT COMPONENTS	1
25	X12504050151	EVAP FAN MOTOR COVER	1
26	XRI0003	TOP & BOTTOM COVER FOR REVERSIBLE DOOR	1
27	X5302000003	PILASTER CLIP	12
28	X2199001185	K STRIP	4
29	X12502013323	SHELF (23.4" x 19.3")	3
30	X2199001365	EVAPORATOR COVER	1
31	XRI0003	TOP & BOTTOM COVER FOR REVERSIBLE DOOR	1
32	N/A	LIMITED BLOCK OF INSTALLATION BOARD	1
33	N/A	LEFT TRACK FOR ASSEMBLING PANEL	1
34	N/A	RIGHT TRACK FOR ASSEMBLING PANEL	1
35	N/A	COMPRESSOR UNIT INSTALLATION BOARD	1
36	XX-HC0001	COMPRESSOR (EM2X3117U/115VAC/R290)	1
36	XX-HC0001K	START KIT FOR EM2X3117U	*
37	X250009	CAP TUBE .035" I.D. X 98.5" L	1
38		SEE START KIT	1
39		SEE START KIT	1
40		SEE START KIT	1
41	XX-H00345	FILTER DRIER BRACKET	1
42	XX-H00341	FILTER DRIER (F25X160-B)	1
43	X2199001370	CONDENSER FAN MOTOR HOLDER	1
44	XRI0015	FAN BLADE	1
45	XX-EFM024	EVAPORATOR FAN MOTOR W/BLADE	1
46	XRI0090	CONDENSER DRAIN PAN (12.5" X 4.3" X 1.6")	1
47	XRI0119R	CONDENSER COIL	1
48	N/A	AIR GUIDE SHEET	1
49	N/A	BACK GRILL BRACKET	1
50	XRI0002	BACK GRILL	1
51	XRI0056	POWER SWITCH	1
52	XRI0060	THERMOSTAT (XR03CX-4N0F1)	1
53	XRI0300	DOOR SWITCH	1
54	XRI0073	DRAIN PLUG	1
55	XX-SC0319	CASTER 4" W/O BRAKE	2
56	XX-SCB319	CASTER 4" W/ BRAKE	2
57		SEE START KIT	4
58	N/A	POWER PLUG COVER PLATE	1
59	XRI0024	DRAIN HOSE	1
60	XRI0039	EVAPORATOR TEMPERATURE SENSOR (NTC TYPE, 118")	1
61	XX-H00340	LOCK SET WITH 2 KEYS	1
62	XX-2194686	POWER CORD (14AWG, NEMA 5-15P) 8'	1



MODEL EFB35X

MODEL EFB35X

NO.	PART #	DESCRIPTION	QTY
1	N/A	CABINET	1
2	XRI0071	DRAIN HOSE	1
3	XX-IDP035	INNER DRAIN PAN	1
4	XRI0735F	EVAPORATOR COIL	1
5	XRI0101	DRAIN CONNECTOR ELBOW	1
6	XRI0100	DRAIN CONNECTOR (SCREW) NUT	1
7	X2199002061	EVAPORATOR COVER	1
8	XX-THT002	TEMPERATURE SENSOR (NTC - 60°)	1
9	X16313130154	EVAP FAN MOTOR COVER	1
10	N/A	RIGHT FAN MOTOR INSTALLATION PANEL	1
11	XX-EFM024	EVAPORATOR FAN MOTOR W/BLADE	1
12	N/A	LEFT FAN MOTOR INSTALLATION PANEL	1
13	XRI0015	FAN BLADE	1
14	XRI0056	POWER SWITCH	1
15	XRI0059	THERMOSTAT (XR06CX-4N0C1-XX)	1
16	XRI0084	HINGE (UPPER SHROUD)	2
17	XX-URH005	HINGE UPPER RIGHT	1
18	X2199002064	UPPER SHROUD	1
18	X2199002064C	UPPER SHROUD (CENTAUR PLUS)	1
19	XRI0300	DOOR SWITCH	2
20	XX-H00340	LOCK SET WITH 2 KEYS	2
21	XX-H00340	LOCK SET WITH 2 KEYS	2
22	XX-ULH005	HINGE UPPER LEFT	1
23	XX-H00343	LOCK BOLT	2
24	XX-DC0328	HINGE CARTRIDGE, SELF CLOSING	4
25	N/A	CONTROL PANEL BRACKET	3
26	XRI0135	GASKET	2
27	XRI0035	DOOR RIGHT & LEFT	2
28	XX-BLH004	HINGE BOTTOM LEFT	1
29	XX-BRH005	HINGE BOTTOM RIGHT	1
30	X2199002066	LOWER FRONT SHROUD (35)	1
31	XRI0009	CONDENSER COIL	1
32	N/A	LEFT TRACK	1
33	XX-SCB319	CASTER 4" W/ BRAKE	2
34	XX-SCB319	CASTER 4" W/ BRAKE	2
35	N/A	BASE CHANNEL	2
36	XRI0015	FAN BLADE	1
37	N/A	COMPRESSOR UNIT INSTALLATION BOARD	1
38	XX-H00346	FILTER DRIER BRACKET	1
39	N/A	RIGHT TRACK	1
40	N/A	BACK GRILL BRACKET	1
41	XRI3500	BACK GRILL	1
42	XX-2194686	POWER CORD (14AWG, NEMA 5-15P) 8'	1
43	N/A	POWER PLUG COVER PLATE	1
44	XRI0024	DRAIN HOSE	1
45	XX-H00347	FILTER DRIER (D25 X 167-D)	1
46	X15804041225	CAPILLARY TUBE (Φ2.4*1.2*3000)	1
47	XX-HC0011K	START KIT FOR NPY12LR	1
48	XX-HC0011	COMPRESSOR (NPY12LR/115VAC/R290)	1
49	X16316130008	DRAIN PAN OUTER	1
50	XX-EFM024	EVAPORATOR FAN MOTOR W/BLADE	1
51	XRI0122	CONDENSER FAN MOTOR GUARD/COVER	1
52	X12502115364	SHELF (20.8" x 25.2")	6
53	X2199001185	K STRIP	8
54	X5302000003	PILASTER CLIP	24
55	N/A	COVER CHANNEL	1
56	N/A	SUPPORT BRACKET	1
57	XRI0048-HC	LIGHT COMPONENTS	1
58	XRI0036	EVAPORATOR TEMPERATURE SENSOR (NTC TYPE, 60° BLACK)	1
59	XRI2500	DEFROST HEATER (27.5" X 2" - 500W)	1
60	XRI0215	DEFROST THERMAL FUSE	1
61	XRI0210	DRAIN HOSE HEATER (19" - 10W)	1
62	XRI0235	DRAIN PAN HEATER (27.5" X 4.75" - 35W)	1
63	X15740260003	VACUUM BREAKER	1



MODEL ERB35X

MODEL ERB35X

NO.	PART #	DESCRIPTION	QTY
1	N/A	CABINET	1
2	XRI0071	DRAIN HOSE	1
3	XX-IDP035	INNER DRAIN PAN	1
4	XRI0735R	EVAPORATOR COIL	1
5	XRI0101	DRAIN CONNECTOR ELBOW	1
6	XRI0100	DRAIN CONNECTOR (SCREW) NUT	1
7	X2199002061	EVAPORATOR COVER	1
8	XX-THT002	TEMPERATURE SENSOR (NTC - 60")	1
9	X16313130154	EVAP FAN MOTOR COVER	1
10	N/A	RIGHT FAN MOTOR INSTALLATION PANEL	1
11	XX-EFM024	EVAPORATOR FAN MOTOR W/BLADE	1
12	N/A	LEFT FAN MOTOR INSTALLATION PANEL	1
13	XRI0015	FAN BLADE	1
14	XRI0056	POWER SWITCH	1
15	XRI0060	THERMOSTAT (XR03CX-4N0F1)	1
16	XRI0084	HINGE (UPPER SHROUD)	2
17	XX-URH005	HINGE UPPER RIGHT	1
18	X2199002064	UPPER SHROUD	1
18	X2199002064C	UPPER SHROUD (CENTAUR PLUS)	1
19	X17749020001	DOOR SWITCH	2
20	XX-H00340	LOCK SET WITH 2 KEYS	2
21	XX-H00340	LOCK SET WITH 2 KEYS	2
22	XX-ULH005	HINGE UPPER LEFT	1
23	XX-H00343	LOCK BOLT	2
24	XX-DC0328	HINGE CARTRIDGE, SELF CLOSING	4
25	N/A	CONTROL PANEL BRACKET	3
26	XRI0135	GASKET (52.25" X 23.29")	2
27	XRI0035	DOOR RIGHT & LEFT	2
28	XX-BLH004	HINGE BOTTOM LEFT	1
29	XX-BRH005	HINGE BOTTOM RIGHT	1
30	X2199002066	LOWER FRONT SHROUD (35)	1
31	XRI0009	CONDENSER COIL	1
32	N/A	LEFT TRACK	1
33	XX-SCB319	CASTER 4" W/ BRAKE	2
34	XX-SC0319	CASTER 4" W/O BRAKE	2
35	N/A	BASE CHANNEL	2
36	XRI0015	FAN BLADE	1
37	N/A	COMPRESSOR UNIT INSTALLATION BOARD	1
38	XX-H00346	FILTER DRIER BRACKET	1
39	N/A	RIGHT TRACK	1
40	N/A	BACK GRILL BRACKET	1
41	XRI3500	BACK GRILL	1
42	XX-2194686	POWER CORD (14AWG, NEMA 5-15P) 8'	1
43	N/A	POWER PLUG COVER PLATE	1
44	XRI0024	DRAIN HOSE	1
45	XX-H00347	FILTER DRIER (D25 X 167-D)	1
46	X15804041225	CAPILLARY TUBE (Φ2.4*1.2*3000)	1
47	XX-HC0010K	START KIT FOR NUT55NR	1
48	XX-HC0010	COMPRESSOR (NUT55NR/115VAC/R290)	1
49	X16316130008	DRAIN PAN OUTER	1
50	XX-EFM024	EVAPORATOR FAN MOTOR W/BLADE	1
51	XRI0122	CONDENSER FAN MOTOR GUARD/COVER	1
52	X12502115364	SHELF (20.8" x 25.2")	6
53	X2199001185	K STRIP	8
54	X5302000003	PILASTER CLIP	24
55	N/A	COVER CHANNEL	1
56	N/A	SUPPORT BRACKET	1
57	XRI0048-HC	LIGHT COMPONENTS	1



PART LIST FOR REACH-IN MODELS:
ERB12X, EFB12X, ERB19X, EFB19X
ERB35X, AND EFB35X



For Parts Call 704-900-2068, Option #2