



# PART LIST FOR GLASS FROSTER MODELS: EGF27X, EGF36X and EGF49X



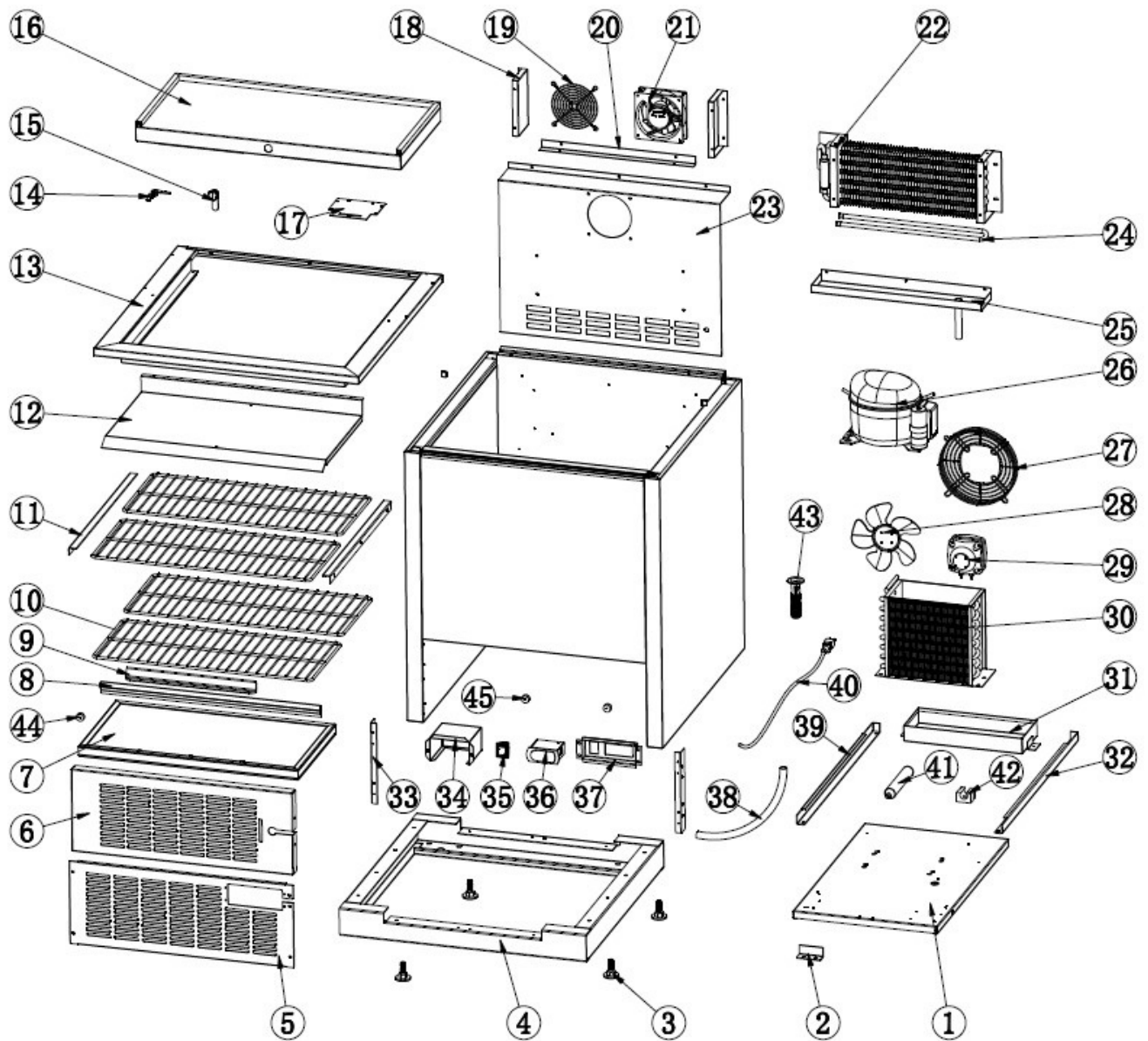
Model EGF27X



Model EGF49X

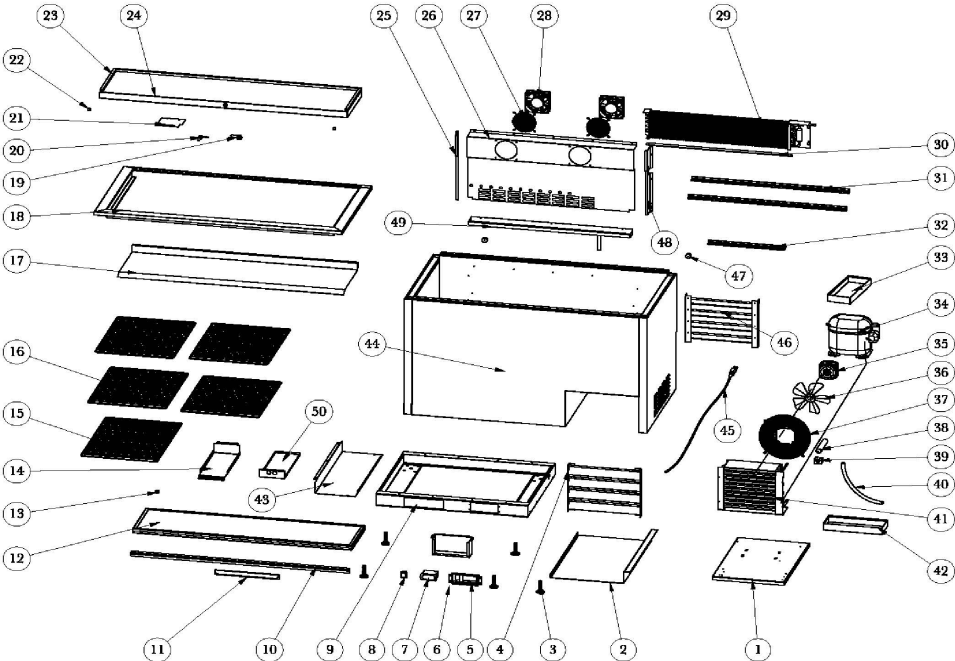
For Parts Call 704-900-2068, Option #2

# Model EGF27X Glass Froster





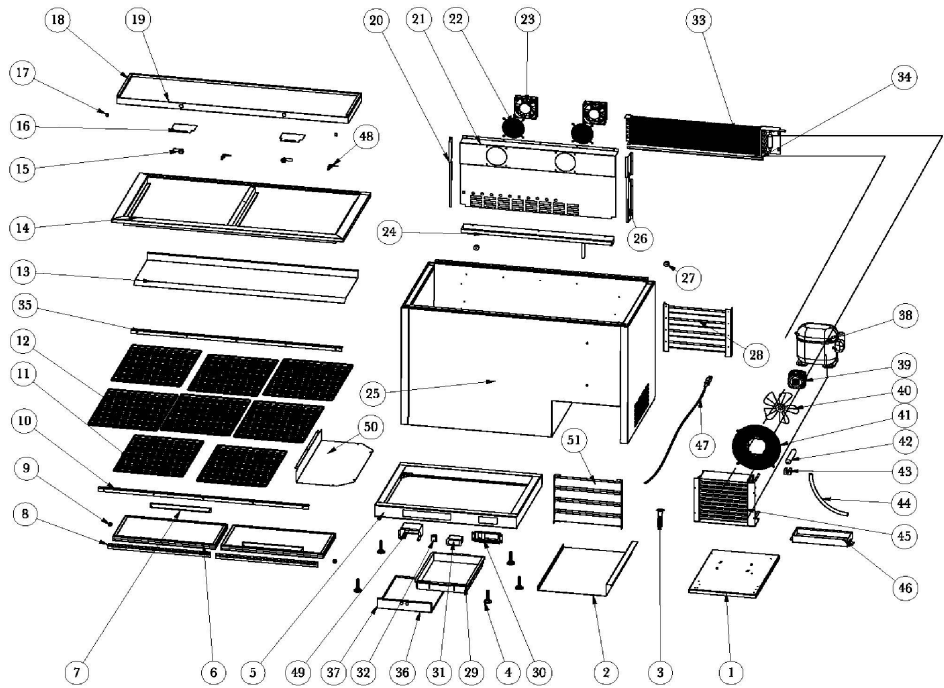
# Model EGF36X Glass Froster



# Model EGF36X Glass Froster

NO.	PART #	DESCRIPTION	QTY
1	N/A	COMPRESSOR UNIT INSTALLATION BOARD	1
2	N/A	BASE BOARD	1
3	X12534030002	LEVELING FEET (OPTIONAL)	5
3	X12533040010	3" CASTER WITHOUT BRAKE (STANDARD)	3
3	X12533040015	3" CASTER WITH BRAKE (STANDARD)	2
4	XSBC01050	FRONT GRILL	1
5	NON STOCKING	THERMOSTAT INSTALLATION COVER	1
6	X16351170004	WATERPROOF COVER FOR THERMOSTAT	1
7	XRI0059	THERMOSTAT (DIXELL XR06CX)	1
7	XX-THT002	BOX TEMP PROBE, NTC	1
7	XRI0036	DEFROST PROBE, NTC	1
8	XRI0056	POWER SWITCH	1
9	NON STOCKING	CABINET BASE	1
10	XSBC04000	GASKET - DOOR	1
11	X16337030002	DOOR HANDLE	1
12	XSBC04036	DOOR (31.5" X 12")	1
13	XSBC01029	LIMIT STOP - SLIDE DOOR	1
14	NON STOCKING	PAN RAIL	1
15	XSGF12964	SHELF BOTTOM (15.4" X 14.75")	1
16	XSGF12963	SHELF UPPER (15.75" X 22.7")	4
17	NON STOCKING	PANEL UNDER TABLE	1
18	N/A	UNDER TABLE COMPONENT	1
19	XX-H00340	LOCK SET WITH KEYS	1
20	XX-H00357	KEY ONLY SET OF 2	1
21	N/A	BASE BOARD FOR LOCK	1
22	NON STOCKING	DECORATION COVER	2
23	XSBC01019	MOULDING - TOP	1
24	XSCB01057	TOP PANEL	1
25	N/A	LEFT SUPPORT FOR EVAPORATOR COVER	1
26	XSBC01073	EVAPORATOR COVER	1
27	XSBC06115	FAN MOTOR - EVAPORATOR COVER	2
28	X1003001114715	FAN MOTOR - EVAPORATOR (115VAC/60HZ/14.5W)	2
29	XSBC06036	EVAPORATOR COIL	1
30	XSGF30020	DEFROST HEATER (300W/115VAC)	1
31	XSBC01074	SHELF RAIL 1	2
32	XSBC01075	SHELF RAIL 2	1
33	XRI0090	DRAIN PAN	1
34	XX-HC0003	COMPRESSOR (EM2X3125U/110VAC/60HZ/R290)	1
34	XX-STARTKITHC2	START KIT FOR EM2X3125U	*
35	X22752520004	FAN MOTOR - CONDENSER	1
36	X16381738122	FAN BLADE - CONDENSER MOTOR	1
37	XRI0122	FAN MOTOR - CONDENSER COVER	1
38	XX-H00341	FILTER DRIER	1
39	XX-H00346	FILTER MOUNTING BRACKET	1
39	X250010	CAP TUBE .039" I.D. X 98.5" L	1
40	XRI0024	DRAIN HOSE	1
41	XSBC07036	CONDENSER COIL	1
42	XSBC02006	DRAIN PAN - CONDENSER	1
43	N/A	THERMOSTAT BAFFLE	1
44		CABINET	1
45	XX-2194684	POWER CORD (16AWG, 8.2' NEMA 5-15P)	1
46	XSBC01039	GRILL REAR COVER	1
47	XSBC01001	REAR SPACER	2
48	N/A	RIGHT SUPPORT FOR EVAPORATOR COVER	1
49	XSBC02023	DRAIN PAN - EVAPORATOR	1
50	NON STOCKING	PAN SUPPORTER	1

# Model EGF49X Glass Froster



# Model EGF49X Glass Froster

NO.	PART #	DESCRIPTION	QTY
1	N/A	COMPRESSOR UNIT INSTALLATION BOARD	1
2	N/A	BASE BOARD	1
3	XSBC02001	DRAIN TUBE - EVAPORATOR	1
4	X12534030002	LEVELING FEET (OPTIONAL)	5
4	X12533040010	3" CASTER WITHOUT BRAKE (STANDARD)	3
4	X12533040015	3" CASTER WITH BRAKE (STANDARD)	2
5	NON STOCKING	CABINET BASE	1
6	XSBC04025	DOOR	2
7	X16337030002	DOOR HANDLE	2
8	XSBC04000	GASKET - DOOR	2
9	XSBC01029	LIMIT STOP - SLIDE DOOR	2
10	XSBC01078	SHELF RAIL	1
11	XSGF12885	SHELF BOTTOM (14.4" X 22.6")	2
12	XSGF12884	SHELF UPPER (15" X 20.7")	6
13	XSBC01079	LOWER PANEL	1
14	N/A	TOP FRAME	1
15	XX-H00340	LOCK SET WITH KEYS	2
16	N/A	BASE BOARD FOR LOCK	2
17	NON STOCKING	DECORATION COVER	2
18	XSBC01033	MOULDING - TOP	1
19	N/A	TOP BOARD	2
20	N/A	LEFT SUPPORT FOR EVAPORATOR COVER	1
21	XSBC01080	EVAPORATOR COVER	1
22	XSBC06115	FAN MOTOR - EVAPORATOR COVER	2
23	X1003001114715	FAN MOTOR - EVAPORATOR (115VAC/60HZ/14.5W)	2
24	XSBC02037	DRAIN PAN - EVAPORATOR	1
25	N/A	CABINET	1
26	N/A	RIGHT SUPPORT FOR EVAPORATOR COVER	1
27	XSBC01001	REAR SPACER	2
28	XSBC01039	GRILL REAR COVER	1
29	XSGF90034	DRAIN PAN	1
30	NON STOCKING	THERMOSTAT INSTALLATION COVER	1
31	XRI0059	THERMOSTAT (DIXELL XR06CX)	1
31	XX-THT002	BOX TEMP PROBE, NTC	1
31	XRI0036	DEFROST PROBE, NTC	1
32	XRI0056	POWER SWITCH	1
33	XSBC06050	EVAPORATOR COIL	1
34	XSGF30021	DEFROST HEATER (500W/115VAC)	1
35	XSBC01081	SHELF RAIL 2	2
36	NON STOCKING	BORAD FOR DRAIN PAN	1
37	NON STOCKING	RAIL FOR DRAIN PAN BOARD	2
38	XX-HC0003	COMPRESSOR (EM2X3125U/110VAC/60HZ/R290)	1
38	XX-STARTKITHC2	START KIT FOR EM2X3125U	1
39	X22752520004	FAN MOTOR - CONDENSER	1
40	X16381738122	FAN BLADE - CONDENSER MOTOR	1
41	XRI0122	FAN MOTOR - CONDENSER COVER	1
42	XX-H00341	FILTER DRIER	1
43	XX-H00346	FILTER MOUNTING BRACKET	1
43	X300010	CAP TUBE .039" I.D. X 118" L	1
44	XRI0024	DRAIN HOSE	1
45	XSBC07036	CONDENSER COIL	1
46	XSBC02006	DRAIN PAN - CONDENSER	1
47	XX-2194684	POWER CORD (16AWG, 8.2' NEMA 5-15P)	1
48	XX-H00357	KEY ONLY SET OF 2	2
49	X16351170004	WATERPROOF COVER FOR THERMOSTAT	1
50	NON STOCKING	THERMOSTAT BAFFLE	1

# Model EGF49X Glass Froster

51	XSBC01050	FRONT GRILL	1





# PART LIST FOR GLASS FROSTER MODELS: EGF27X, EGF36X and EGF49X



Model EGF27X



Model EGF49X

For Parts Call 704-900-2068, Option #2