

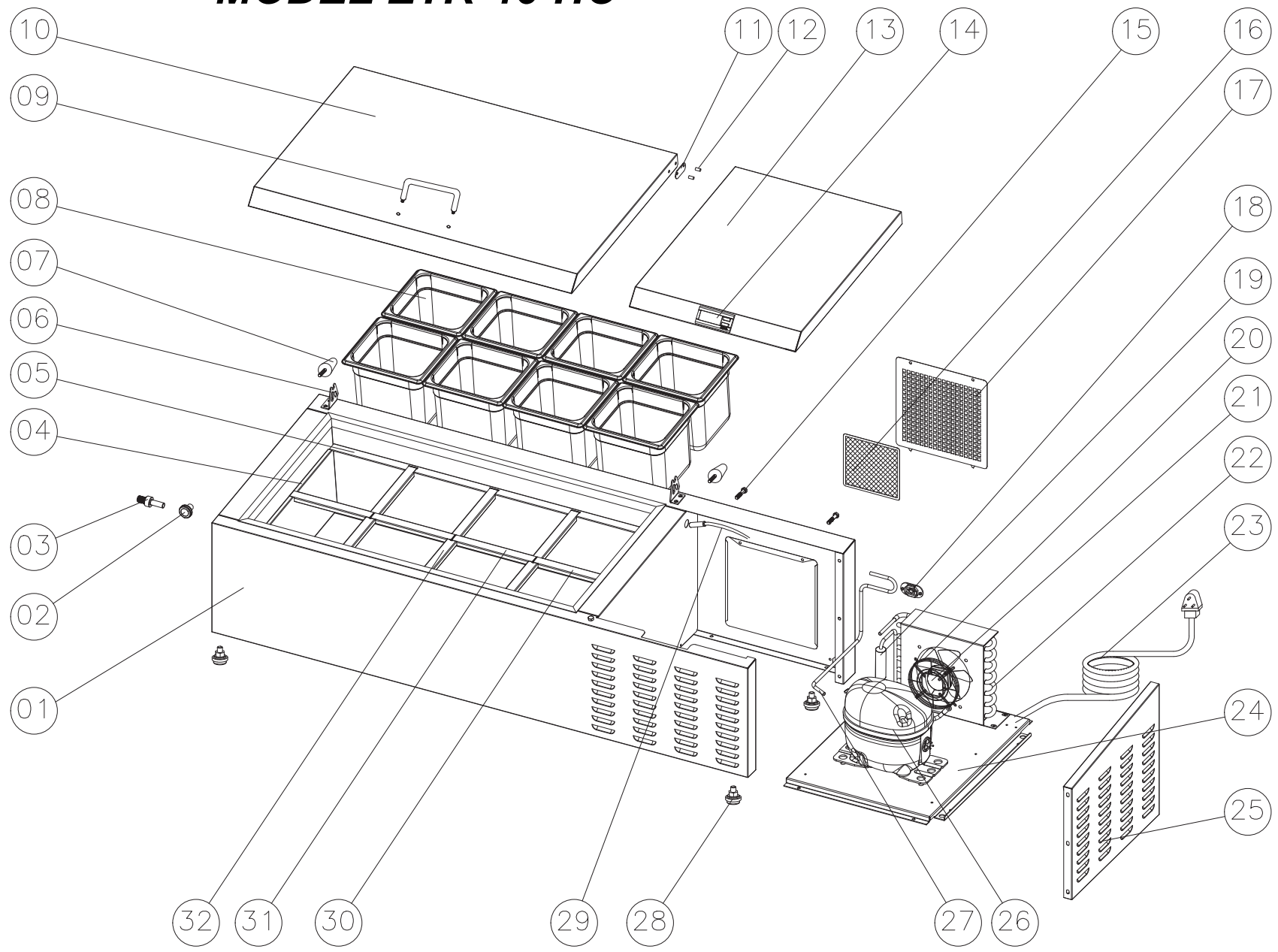


**REFRIGERATED
TOPPING RAIL
MODELS: ETR46-HC
ETR60-HC**



Phone: 704-900-206
www.entree.biz

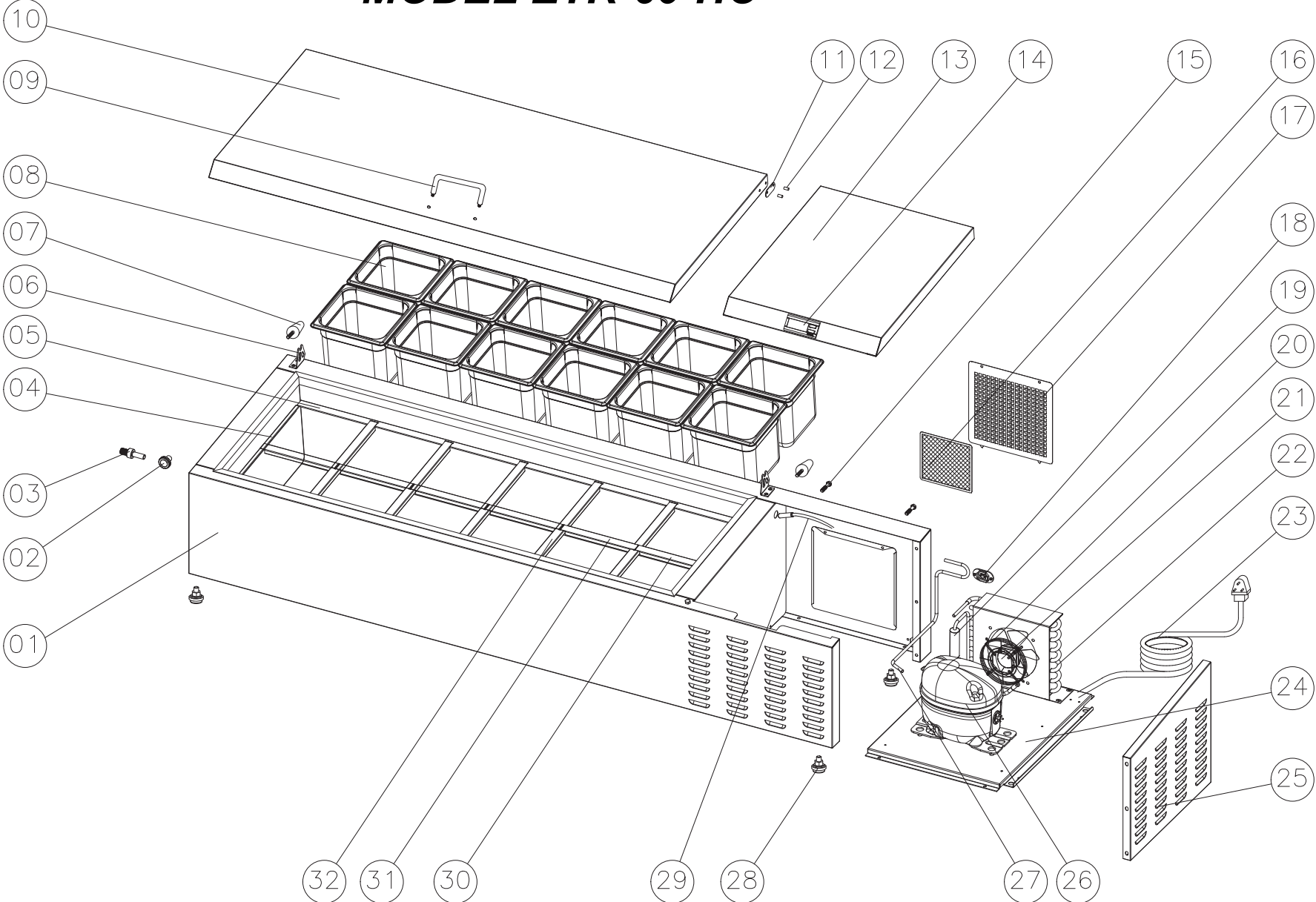
MODEL ETR-46-HC



MODEL ETR-46-HC

N0.	Part #	DESCRIPTION	QTY
1	N/A	BODY	1
2	TR10011	WATER PLUG	1
3	TR00012	CONNECTING PIPE	1
4	TR00005	SIDE SUPPORT	2
5	TR00464	LONG SUPPORT	2
6	H00380	LID HINGE LEFT	1
7	H02315	REAR WALL SPACER	2
8	N/A	1/6 Pan	8
9	H00376	HANDLE	1
10	TR10000	LID (EPD46)	1
11	H01234	HINGE PINS	2
12	H01234	LID HINGE PINS	2
13	TR10006	CONDENSER COVER LID	1
14	H00219	CONTROLLER, REFRIGERATION	1
15	H00312	THUMB SCREW	2
16	TR00006	CONDENSER FILTER	1
17	TR00008	LOUVERED REAR CONDENSER COVER	1
18	N/A	POWER CORD RESTRAINT	1
19	RD0341	FILTER DRIER	1
20	H00123	FAN GUARD BLACK - CONDENSER	2
21	H00120	MOTOR, CONDENSER FAN (5W)	1
21	H00121	FAN BLADE	1
22	TR00049	CONDENSER COIL	1
23	C2194684	POWER CORD, 14WG/NEMA 5-15P	1
24	N/A	CONDENSER PANEL	1
25	TR10001	SIDE COVER	1
26	HC0001F	COMPRESSOR (EM2X3117U) W/ FILTER DRIER	1
26	HC0001K	START KIT FOR COMPRESSOR EM2X3117U	*
27	TR00007	SUCTION TUBE	1
28	BC30937	LEVELING FEET	4
29	H00205	TEMPERATURE SENSOR NTC TYPE (5' LENGTH)	1
30	TR00003	1/6 PAN SUPPORT SIDE	2
31	TR00002	1/6 PAN SUPPORT	2
32	TR00001	1/3 PAN SUPPORT	3
6R	H00383	LID HINGE, RIGHT	1

MODEL ETR-60-HC



MODEL ETR-60-HC

N0.	Part #	DESCRIPTION	QTY
1	N/A	BODY	1
2	TR10011	WATER PLUG	1
3	TR00012	CONNECTING PIPE	1
4	TR00005	SIDE SUPPORT	2
5	TR00604	LONG SUPPORT	2
6	H00380	LID HINGE LEFT	1
7	H02315	REAR WALL SPACER	2
8	N/A	1/6 Pan	12
9	H00376	HANDLE	1
10	TR20000	COVER (EPD60)	1
11	H01234	HINGE PINS	2
12	H01234	LID HINGE PINS	2
13	TR10006	CONDENSER COVER LID	1
14	H00219	CONTROLLER, REFRIGERATION	1
15	H00312	THUMB SCREW	2
16	TR00006	CONDENSER FILTER	1
17	TR00008	LOUVERED REAR CONDENSER COVER	1
18	N/A	POWER CORD RESTRAINT	1
19	RD0341	FILTER DRIER	1
20	H00123	FAN GUARD BLACK - CONDENSER	2
21	H00120	MOTOR, CONDENSER FAN (5W)	1
21	H00121	FAN BLADE	1
22	TR00049	CONDENSER COIL	1
23	C2194684	POWER CORD, 14WG/NEMA 5-15P	1
24	N/A	CONDENSER PANEL	1
25	TR10001	SIDE COVER	1
26	HC0001F	COMPRESSOR (EM2X3117U) W/ FILTER DRIER	1
26	HC0001K	START KIT FOR COMPRESSOR EM2X3117U	*
27	TR00007	SUCTION TUBE	1
28	BC30937	LEVELING FEET	4
29	H00205	TEMPERATURE SENSOR NTC TYPE (5' LENGTH)	1
30	TR00003	1/6 PAN SUPPORT SIDE	2
31	TR00002	1/6 PAN SUPPORT	4
32	TR00001	1/3 PAN SUPPORT	5
6R	H00383	LID HINGE, RIGHT	1



For Tech Support or Parts Call:
1-704-900-2068

Website: <https://www.entree.biz>