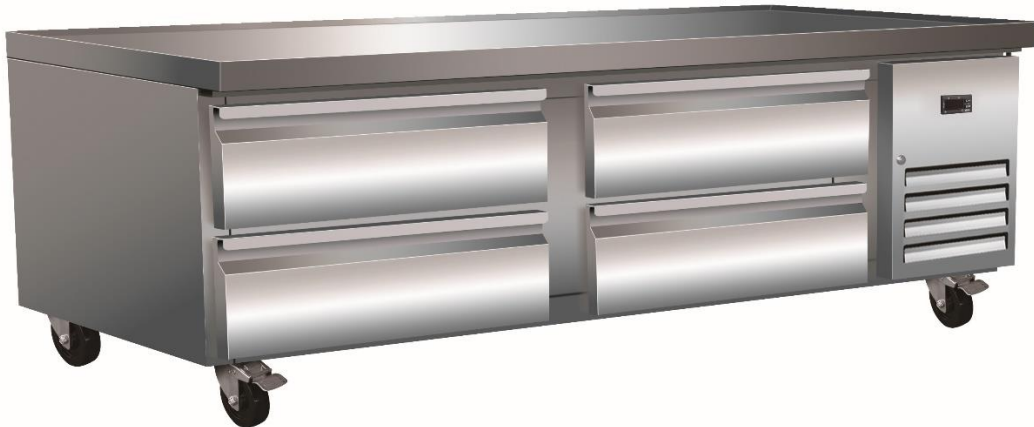




PARTS LIST
FOR CHEF BASE MODELS WITH
HEAVY DUTY DRAWERS:
CBR36-HD-HC, CBR48-HD-HC,
CBR60-HD-HC, AND CBR72-HD-HC
(R290)



For Tech Support or Parts Support Call:

1-704-900-2068

Website: <https://www.entree.biz>

The serial number breakdown:

Example:2103ENTQ00123

The first two numbers are the Year, 21 = 2021

The second two numbers are the Month, 03 = March

ENT = Entrée

The fourth alpha character will note the Freon Type on the HC Models.

Q = R290, B= R600

The last FIVE numbers are the numerical sequence of units built that month. In the example this unit would have been the one hundred twenty third unit.

To order parts that are non-warranty, you can contact our parts distributor, 704-900-2068, option #2.

The serial number breakdown:

Example:2103ENTQ00123

The first two numbers are the Year, 21 = 2021

The second two numbers are the Month, 03 = March

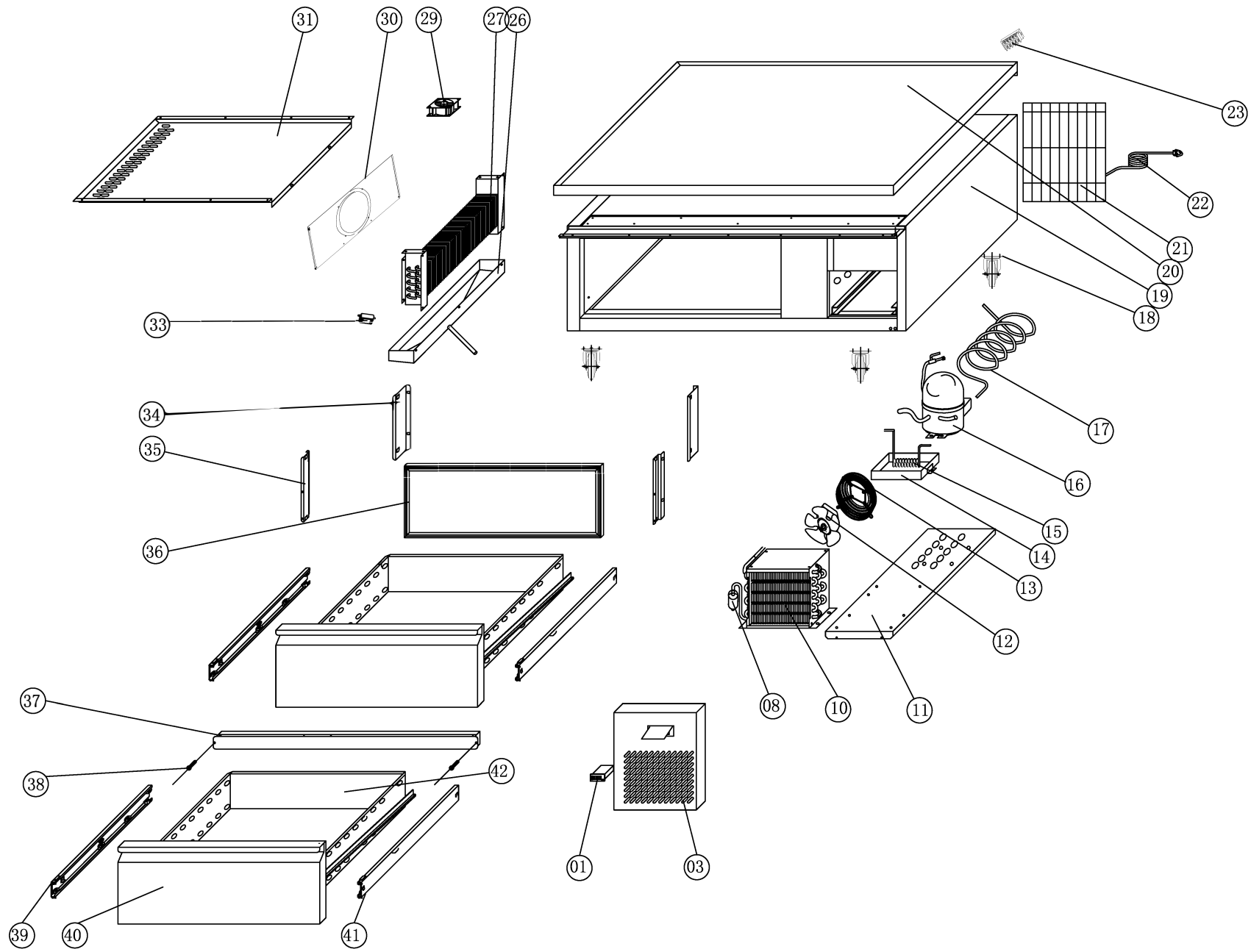
ENT = Entrée

The fourth alpha character will note the Freon Type on the HC Models.

Q = R290, B= R600

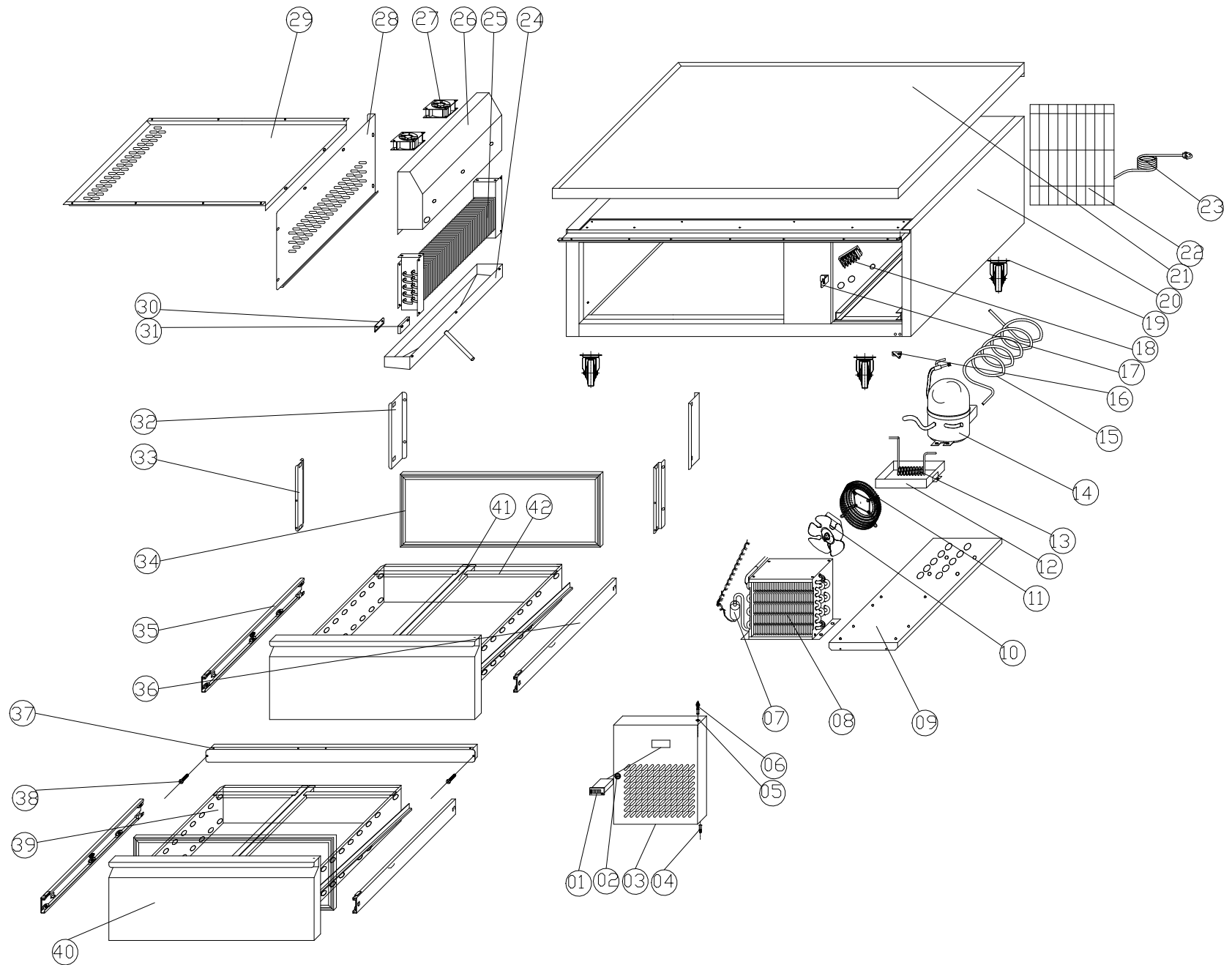
The last FIVE numbers are the numerical sequence of units built that month. In the example this unit would have been the one hundred twenty third unit.

To order parts that are non-warranty, you can contact our parts distributor, 704-900-2068, option #2.



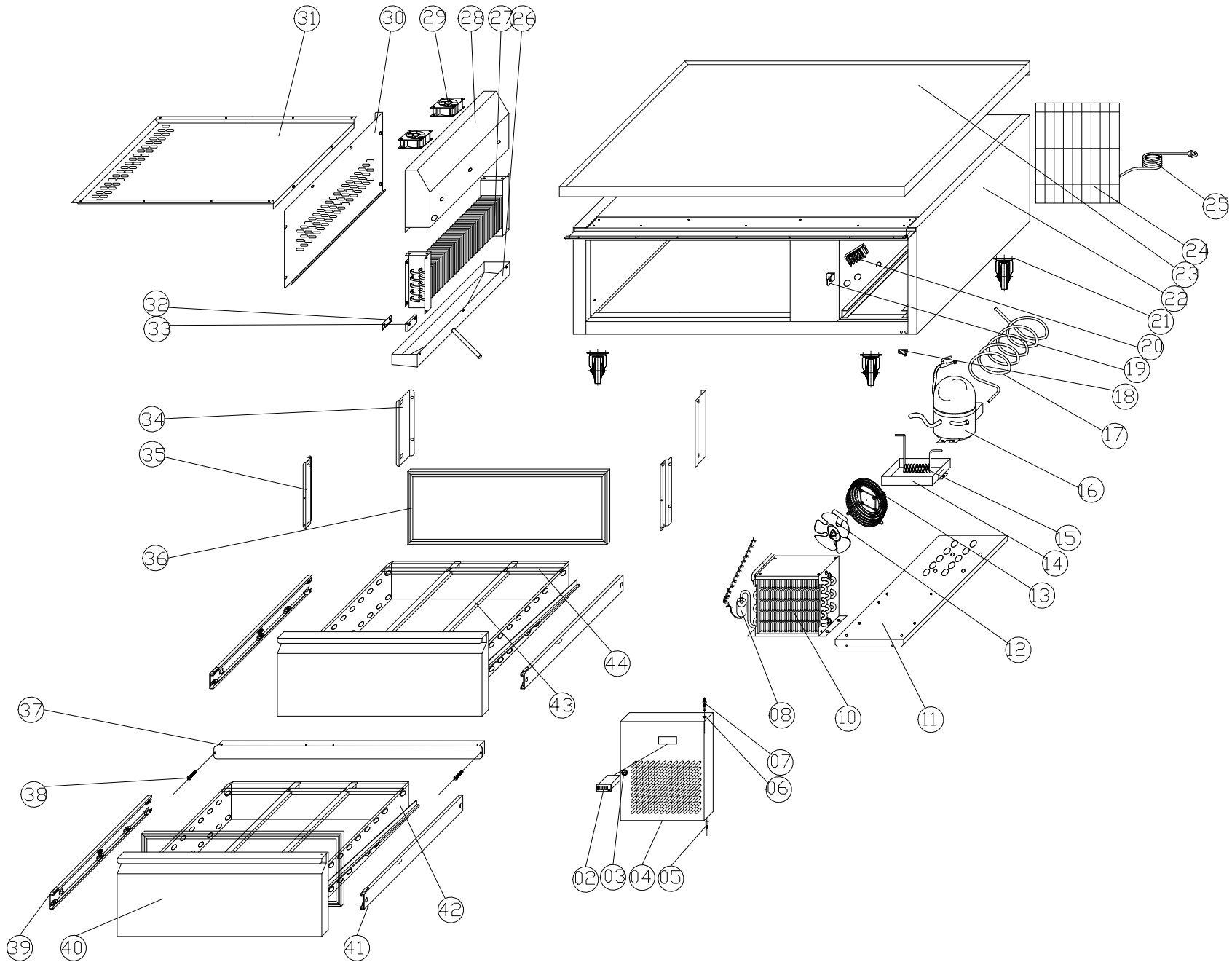
MODEL CBR36-HD-HC

NO.	Part #	Description	QTY
1	BD0060	CONTROLLER, REFRIGERATOR	1
3	RD3606-3	FRONT PANEL	1
8	RD0341	FILTER DRIER	1
10	HC0347	CONDENSER COIL	1
11	N/A	CONDENSER PANEL	1
12	HC0162	CONDENSER FAN MOTOR W/BLADE	1
13	RD00111	GRILL, CONDENSER FAN GUARD	1
14	C30005	CONDENSER DRAIN BOX	1
15	RD10338	EVAPORATE PIPE	1
16	HC0001F	COMPRESSOR (EM2X3117U) W/ FILTER DRIER	1
16	HC0001K	START KIT FOR EM2X3117U	
17	RD3608	SUCTION PIPE	1
18	RD4815	SWIVEL CASTER W/O BRAKE (REAR)	2
18.1	RD4816	SWIVEL CASTER W/BRAK (FRONT)	2
19	N/A	BODY	1
20	RHD00485	MAIN TOP	1
21	RD3613	UNIT ROOM COVER	1
22	C2194684	POWER CORD, 14AWG/NEMA 5-15P	1
23	H00215	TERMINAL BLOCK, 5 POLE	1
26	RD3611	CONDENSER DRAIN BOX	1
27	RD3610	EVAPORATOR COIL	1
29	H01110	EVAPORATOR COIL FAN MOTOR	1
30	RD3612	FAN SUPPORT	1
31	RD3604	AIR FLOW CONDUCT PANEL	2
33	H03335	SENSOR CLIP	1
34	RD4905	BACK SUPPORT LEFT	1
34	RD4904	BACK SUPPORT RIGHT	1
35	RD4906	FRONT SUPPORT RIGHT	1
35	RD4907	FRONT SUPPORT LEFT	1
36	RD3602	DRAWER GASKET (CBR36)	2
37	RD3605	BRIDGE	1
38	RD0003	SCREW	2
39	RHD0001	HD GUIDE (LEFT)	2
40	RD3606-1	DRAWER PANEL	2
41	RHD0002	HD GUIDE (RIGHT)	2
42	RD3606	DRAWER BODY	2



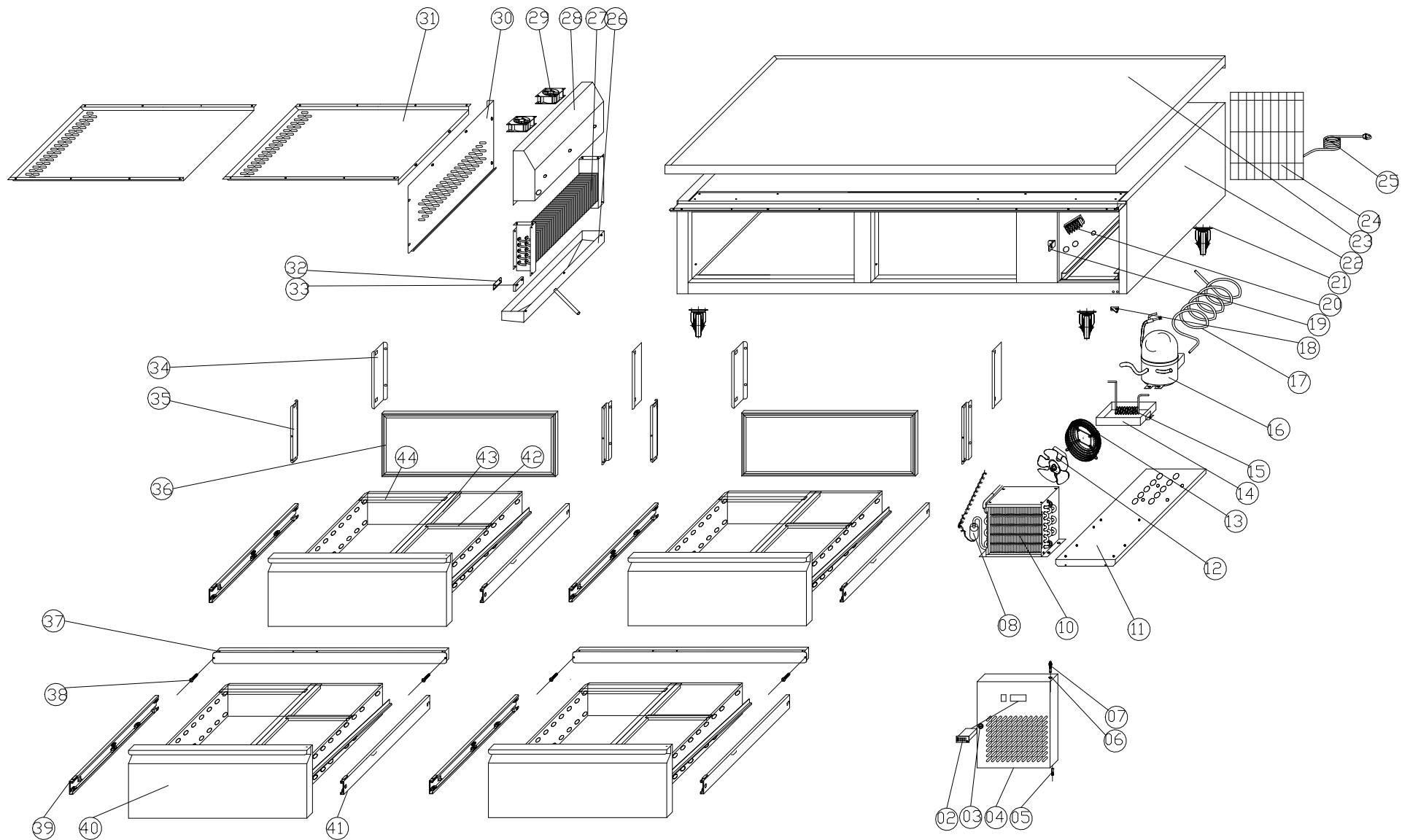
MODEL CBR48-HD-HC

NO.	Part #	Description	QTY
1	H00219	CONTROLLER, REFRIGERATOR	1
1	H00205	TEMPERATURE SENSOR, NTC TYPE (5' LENGTH)	2
2	RD0340	DOOR LOCK W/2 KEYS	1
3	RD4807	FRONT PANEL	1
4	H06327	HINGE PIN	2
5	H00327B	HINGE BUSHING	2
6	RD0003-N	NUT	2
7	RD0341	FILTER DRIER	1
8	HC0347	CONDENSER COIL	1
9	N/A	CONDENSER PANEL	1
10	HC0162	CONDENSER FAN MOTOR W/BLADE	1
11	H00113-1	FAN GUARD, CONDENSER	1
12	C30005	CONDENSER DRAIN BOX	1
13	RD4809-1	EVAPORATE PIPE	1
14	HC0001F	COMPRESSOR (EM2X3117U) W/ FILTER DRIER	1
14	HC0001K	START KIT FOR EM2X3117U	*
15	RD3608	SUCTION PIPE	1
16	RD03327	FRONT CONDENSER COVER HINGE	1
17	H00343	LOCK HOOK	1
18	H00215	TERMINAL BLOCK, 5 POLE	1
19	RD4815	SWIVEL CASTER W/O BRAKE (REAR)	2
19	RD4816	SWIVEL CASTER W/BRAK (FRONT)	2
20	N/A	BODY	1
21	RHD00405	MAIN TOP	1
22	RD4813	UNIT ROOM COVER	1
23	C2194684	POWER CORD, 14AWG/NEMA 5-15P	1
24	RD4811.1	EVAPORATOR DRAIN PAN	1
25	RD4810	EVAPORATOR COIL	1
26	N/A	FAN SUPPORT	1
27	RD0110	EVAPORATOR COIL FAN MOTOR	2
28	RD04803	EVAPORATOR COVER	1
29	RD4804	AIR FLOW PANEL	1
30	H03335	SENSOR CLIP	1
32	RD4904	BACK SUPPORT RIGHT	1
32	RD4905	BACK SUPPORT LEFT	1
33	RD4906	FRONT SUPPORT RIGHT	1
33	RD4907	FRONT SUPPORT LEFT	1
34	RD4802	DRAWER GASKET (CBR48)	2
35	RHD0001	HD GUIDE (LEFT)	2
36	RHD0002	HD GUIDE (RIGHT)	2
37	RD4805	BRIDGE	1
38	RD0003	SCREW	2
39	RD4806-3	DRAWER BODY	2
40	RD4806-5	DRAWER PANEL	2
41	RD5203000225	PAN SUPPORT LONG (FRONT TO BACK)	4
42	H00377	PAN SUPPORT (LEFT TO RIGHT)	4



MODEL CBR60-HD-HC

NO.	Part #	Description	QTY
2	H00219	CONTROLLER, REFRIGERATOR	1
2	H00205	TEMPERATURE SENSOR, NTC TYPE (5' LENGTH)	2
3	RD0340	DOOR LOCK W/2 KEYS	1
4	RD4807	FRONT PANEL	1
5	H05327	HINGE PIN	2
6	H00327B	HINGE BUSHING	2
7	RD0003-N	NUT	2
8	RD0341	FILTER DRIER	1
10	HC0347	CONDENSER COIL	1
11	N/A	CONDENSER PANEL	1
12	HC0162	CONDENSER FAN MOTOR W/BLADE	1
13	H00113-1	FAN GUARD, CONDENSER	1
14	C30005	CONDENSER DRAIN BOX	1
15	RD4809-1	EVAPORATE PIPE	1
16	HC0001F	COMPRESSOR (EM2X3117U) W/ FILTER DRIER	1
16	HC0001K	START KIT FOR EM2X3117U	*
17	RD3608	SUCTION PIPE	1
18	RD03327	FRONT CONDENSER COVER HINGE	1
19	H00343	LOCK HOOK	1
20	H00215	TERMINAL BLOCK, 5 POLE	1
21	RD4815	SWIVEL CASTER W/O BRAKE (REAR)	2
21	RD4816	SWIVEL CASTER W/BRAK (FRONT)	2
22	N/A	BODY	1
23	RHD00407	MAIN TOP	1
24	RD4813	UNIT ROOM COVER	1
25	C2194684	POWER CORD, 14AWG/NEMA 5-15P	1
26	RD4811.1	EVAPORATOR DRAIN PAN	1
27	RD4810	EVAPORATOR COIL	1
28	N/A	FAN SUPPORT	1
29	RD0110	EVAPORATOR COIL FAN MOTOR	2
30	RD04803	EVAPORATOR COVER	1
31	RD6004	AIR FLOW CONDUCT BOARD	2
32	H03335	SENSOR CLIP	1
34	RD4904	BACK SUPPORT RIGHT	1
34	RD4905	BACK SUPPORT LEFT	1
35	RD4906	FRONT SUPPORT RIGHT	1
35	RD4907	FRONT SUPPORT LEFT	1
36	RD6002	DRAWER GASKET (CBR60)	2
37	RD6005	BRIDGE	1
38	RD0003	SCREW	2
39	RHD0001	HD GUIDE (LEFT)	2
40	RD6006-5	DRAWER PANEL	2
41	RHD0002	HD GUIDE (RIGHT)	2
42	RD6006	DRAWER BODY	2
43	RD5203000225	PAN SUPPORT LONG	4
44	H00377	PAN SUPPORT	6

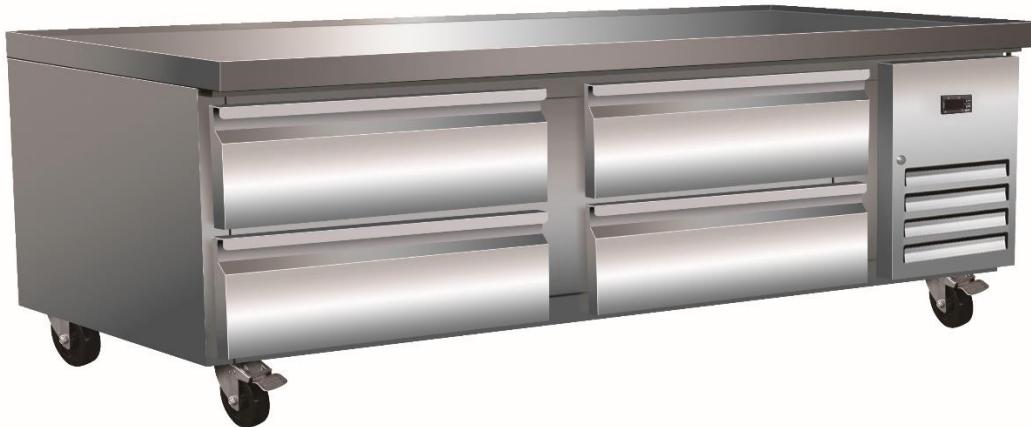


MODEL CBR72-HD-HC

NO.	Part #	Description	QTY
2	H00219	CONTROLLER, REFRIGERATOR	1
2	H00205	TEMPERATURE SENSOR, NTC TYPE (5' LENGTH)	2
3	RD0340	DOOR LOCK W/2 KEYS	1
4	RD4807	FRONT PANEL	1
5	H05327	HINGE PIN	2
6	H00327B	HINGE BUSHING	2
7	RD0003-N	NUT	2
8	RD0341	FILTER DRIER	1
10	HC0347	CONDENSER COIL	1
11	N/A	CONDENSER PANEL	1
12	HC0162	CONDENSER FAN MOTOR W/BLADE	1
13	H00113-1	FAN GUARD, CONDENSER	1
14	C30005	CONDENSER DRAIN BOX	1
15	RD4809-1	EVAPORATE PIPE	1
16	HC0001F	COMPRESSOR (EM2X3117U) W/ FILTER DRIER	1
16	HC0001K	START KIT FOR EM2X3117U	*
17	RD3608	SUCTION PIPE	1
18	RD03327	FRONT CONDENSER COVER HINGE	1
19	H00343	LOCK HOOK	1
20	H00215	TERMINAL BLOCK, 5 POLE	1
21	RD4815	SWIVEL CASTER W/O BRAKE (REAR)	3
21	RD4816	SWIVEL CASTER W/BRAK (FRONT)	3
22	N/A	BODY	1
23	RHD00409	MAIN TOP	1
24	RD4813	UNIT ROOM COVER	1
25	C2194684	POWER CORD, 14AWG/NEMA 5-15P	1
26	RD4811.1	EVAPORATOR DRAIN PAN	1
27	RD4810	EVAPORATOR COIL	1
28	N/A	FAN SUPPORT	1
29	RD0110	EVAPORATOR COIL FAN MOTOR	2
30	RD04803	EVAPORATOR COVER	1
31	RD7204	AIR FLOW CONDUCT BOARD R	1
31	RD7204-1	AIR FLOW CONDUCT BOARD L	
32	H03335	SENSOR CLIP	1
34	RD4904	BACK SUPPORT RIGHT	1
34	RD4905	BACK SUPPORT LEFT	1
35	RD4906	FRONT SUPPORT RIGHT	1
35	RD4907	FRONT SUPPORT LEFT	1
36	RD7202	DRAWER GASKET (CBR72)	4
37	RD7205	BRIDGE	2
38	RD0003	SCREW	4
39	RHD0001	HD GUIDE (LEFT)	4
40	RD7206-5	DRAWER	4
40	RD7206-4	DRAWER PANEL	4
40	RD7206-3	DRAWER BODY	4
41	RHD0002	HD GUIDE (RIGHT)	4
42	RD5203000233	PAN SUPPORT SHORT	4
43	RD5203000225	PAN SUPPORT LONG	8
44	H00377	PAN SUPPORT	4



PARTS LIST
FOR CHEF BASE MODELS WITH
HEAVY DUTY DRAWERS:
CBR36-HD-HC, CBR48-HD-HC, D-
HCCBR60-HD-HC, AND CBR72-HD-HC
(R290)



For Tech Support or Parts Support Call:

1-704-900-2068

Website: <https://www.entree.biz>