



PARTS LISTS DIRECT DRAW BEER DISPENSERS

MODELS: BCBD1-HC, BCBD-2-1-HC,
BCBD2-2-HC, BCBD3-1-HC, BCBD3-2-HC
AND BCBD4-2-HC

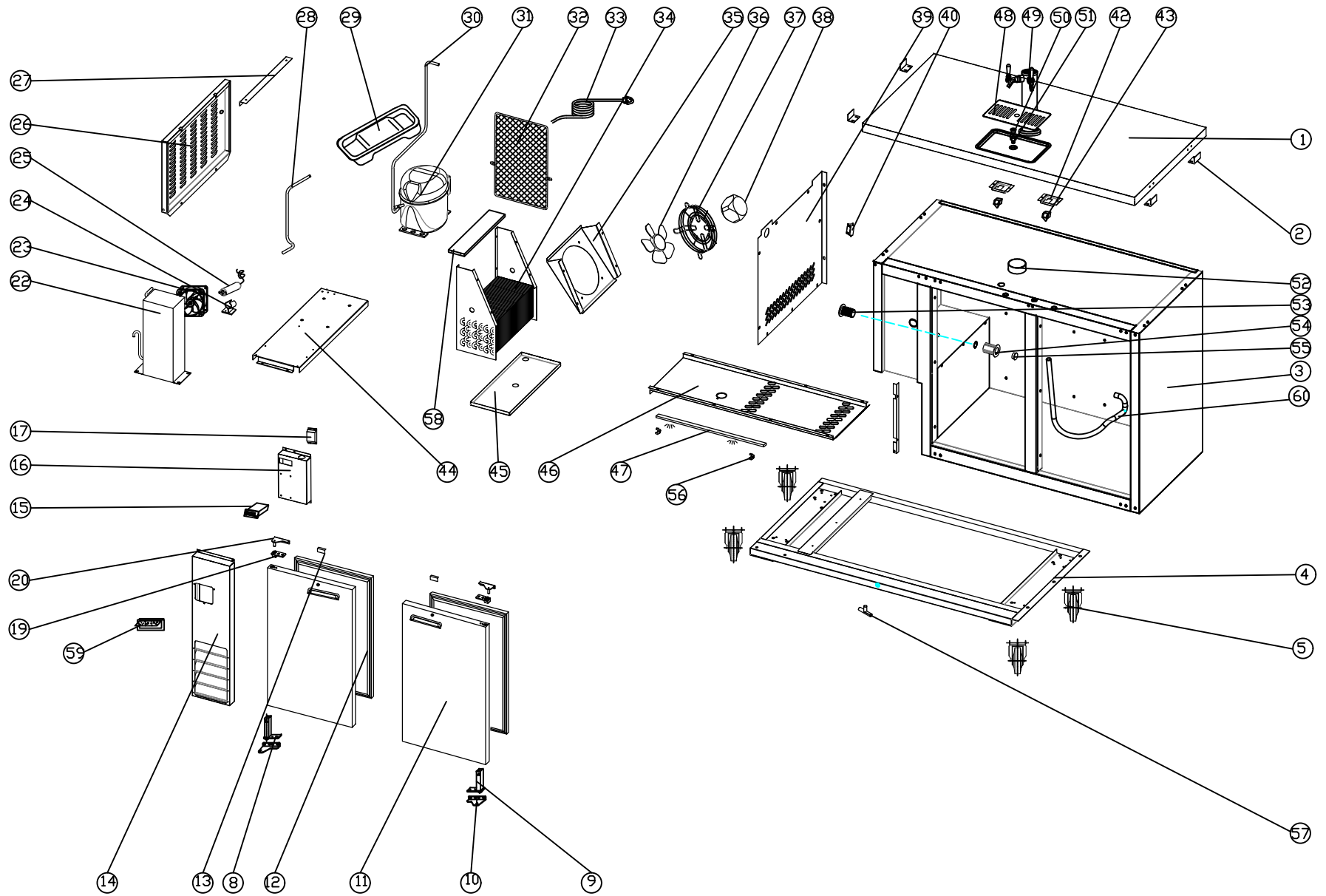


Phone 704-200-2068

www.entree.biz

PARTS LIST FOR BCBD1-HC

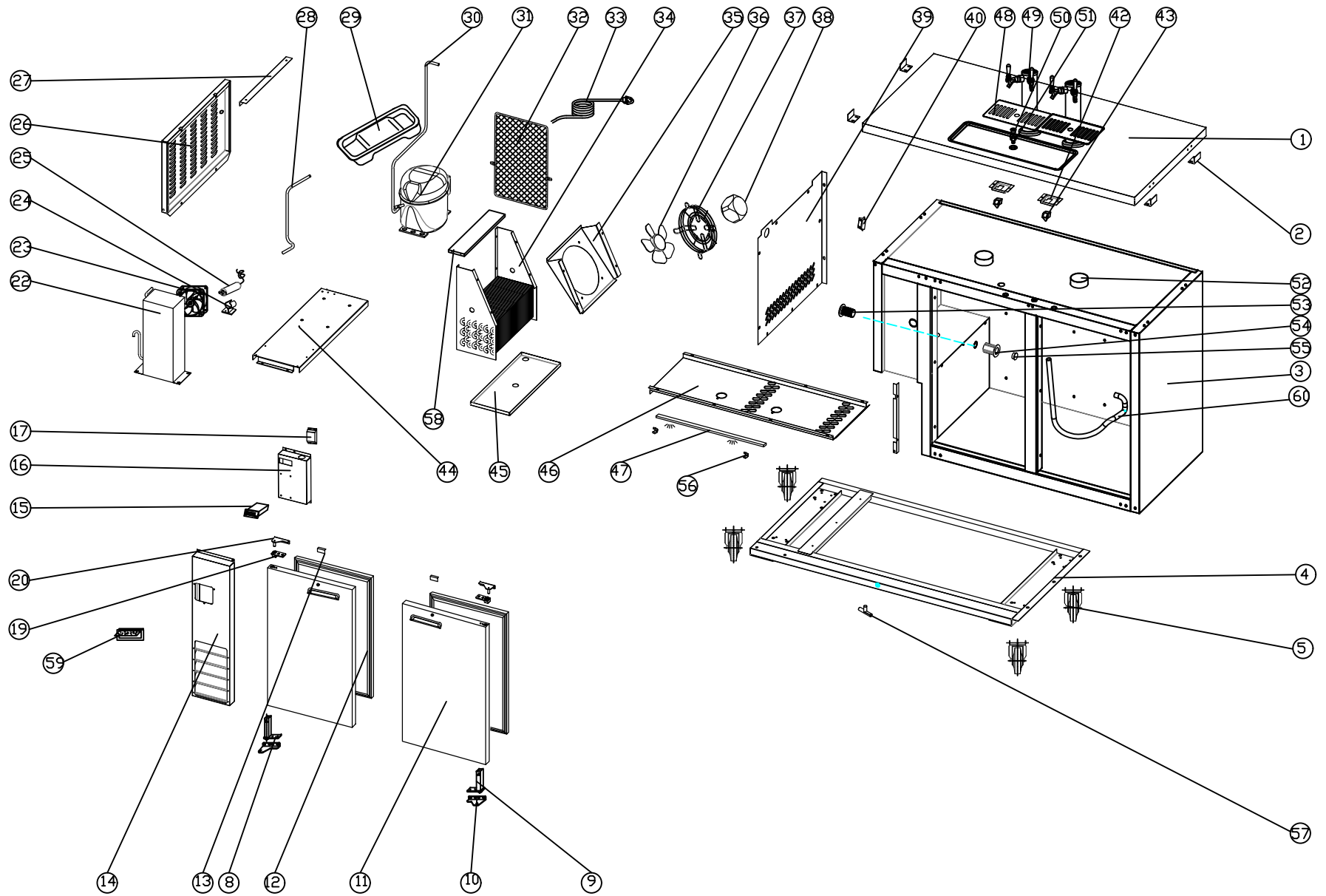
NO.	PART #	NAME	QTY
1	N/A	MAIN CABINET	1
2	N/A	MAIN TOP	1
3	BD0071	TOWER CONNECTING TUBE	1
4	BD0073	COLD AIR PIPE SUPPORT	1
5	BD0321	HINGE, UPPER RIGHT	1
6	N/A	REAR ELECTRICAL COVER	1
7	BD0057	SUCTION PIPE	1
8	BD0070	BACK COVER	2
9	BD0060	THERMOSTAT CONTROL	1
9	BD0060	TEMPERATURE DISPLAY	1
9	H00205	TEMPERATURE SENSOR NTC TYPE (5' LENGTH)	2
10	N/A	THERMOSTAT SUPPORT BRACKET	1
11	BD0037-HC	EVAPORATOR	1
12	H01110	MOTOR BOX STYLE EVAP FAN (3100 RPM)	1
13	N/A	CONDUCT BOARD	1
14	BD0052	PLASTIC LOCK RING	2
15	BD0051	PLASTIC TUBING CONNECTOR	2
16	N/A	EVAPORATOR COVER	1
17	BD0069	AIR FLOW CONDUIT PIPE	1
18	BD0020	POWER CORD, 14AWG, NEMA 5-15 (8.2'L)	1
19	C30008	CONDENSER DRAIN BOX (SS)	1
20	N/A	CONDENSER MOUNTING PANEL	1
21	H00034F	COMPRESSOR (HDL140D) W/FILTER DRIER	1
21	H00227	START KIT FOR HDL140D	*
22	N/A	FILTER DRIER CLIP	1
23	H00341	FILTER DRIER	1
23	BD0001	CAP TUBE (.0551 ID X 149.6"L)	1
24	H01110	MOTOR BOX STYLE EVAP FAN (3100 RPM)	2
25	BD0031	CONDENSER	1
26	BD0066	BACK COVER GRILL	1
27	BD0072	CO2 CONDUCT TUBE	1
28	BD0317	WHEEL WITHOUT BRAKE	2
29	BD0316	WHEEL WITH BRAKE	2
30	BD0323	HINGE, LOWER RIGHT	1
30	BD0324	HINGE, LOWER LEFT	1
31	H00328-1	HINGE CARTRIDGE, SELF CLOSING	1
32	BD0034-1	DOOR	1
33	H00326-2	HINGE AXIS JACKET	1
34	BD0041-1	DOOR GASKET (HC)	1
35	N/A	PANEL MOUNTING BRACKET	4
36	G30001F	DRAIN CONNECTOR (F)	1
37	G30001	DRAIN CONNECTOR (M)	1
38	BD0067	SINGE TAP TOWER	1
39	N/A	RAIL	1
39	N/A	RAIL	1
40	N/A	RAIL END	2
41	N/A	RAIL	1
41	N/A	RAIL	1
41	N/A	RAIL	1
41	N/A	RAIL	1
42	BD0059	DRAIN GRILL	1



MODEL BCBD2-1-HC

MODEL BCBD2-1-HC

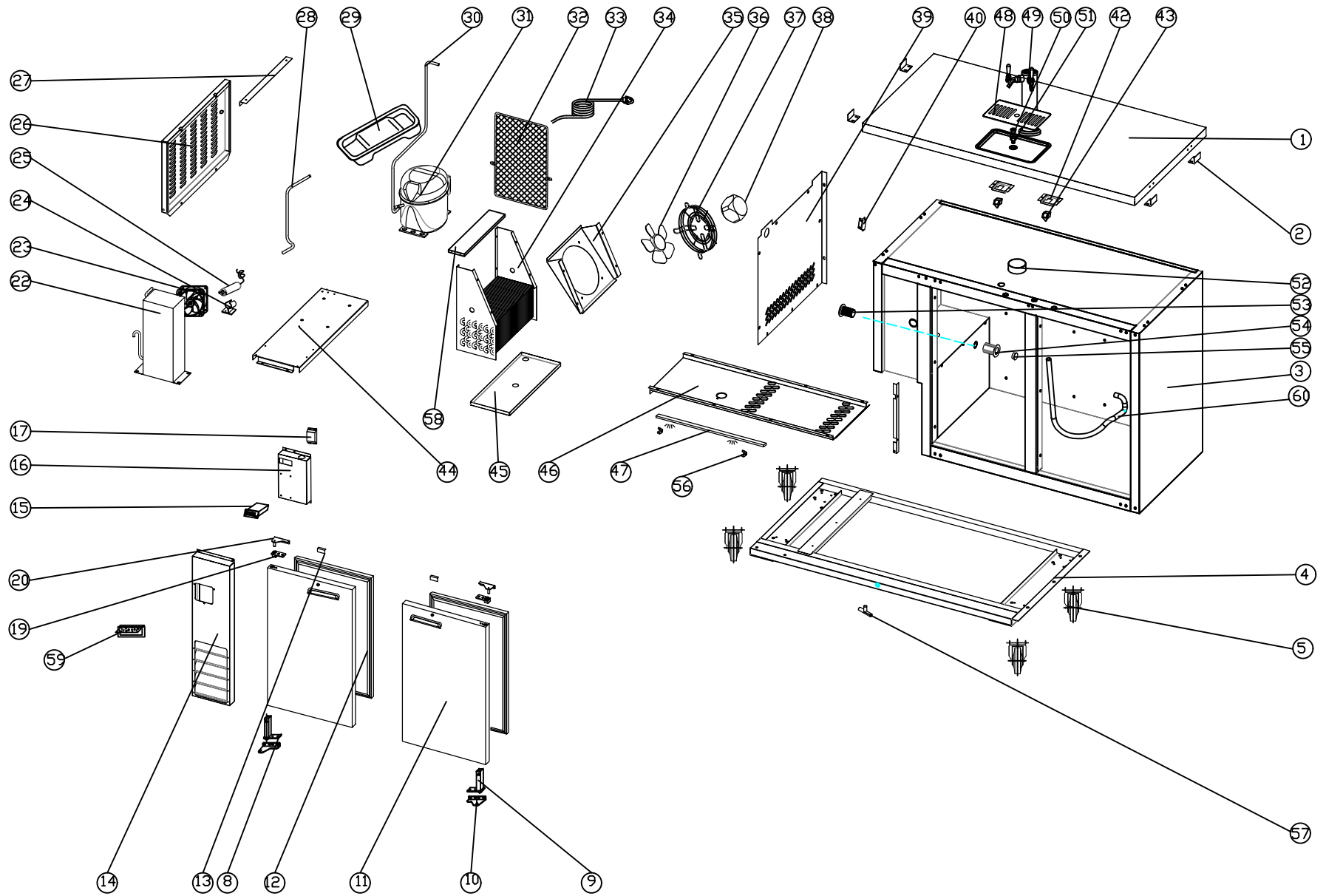
NO.	PART #	NAME	QTY
1	N/A	MAIN TOP	1
2	N/A	TOP BRACKET	4
3	N/A	MAIN CABINET	1
4	N/A	CASTER SUPPORT CHANEL	1
5	H00317	CASTER, 4" DIAMETER WITHOUT BRAKE	2
5	H00316	CASTER, 4" DIAMETER WITH BRAKE	2
8	H00328-2	HINGE CARTRIDGE, SELF CLOSING	1
9	H00328-1	HINGE CARTRIDGE, SELF CLOSING	1
10	BD0323	HINGE, LOWER RIGHT	2
11	BD0045-1	DOOR, LEFT (HC)	1
11	BD0054-1	DOOR, RIGHT (HC)	1
12	BD0040-1	DOOR GASKET (HC)	2
13	BD0046	LOCK BRACKET	2
14	BD0039-HC	FRONT PANEL	1
15	BD0060	TEMPERATURE CONTROL (DIXELL CX40 / XW03K)	1
15	BD0060	TEMPERATURE CONTROL (DIXELL CX40 / XW03K)	1
15	BD0060	TEMPERATURE CONTROL (DIXELL CX40 / XW03K)	1
16	N/A	ELECTRICAL PANEL	1
17	H104070118	LED POWER SUPPLY	1
19	H00326-2	HINGE AXIS JACKET	1
20	BD0322	HINGE, UPPER LEFT	1
20	BD0321	HINGE, UPPER RIGHT	1
21	H00303	CAPILLARY	1
22	BD0329	CONDENSER	1
23	HC1110	CONDENSER FAN MOTOR	1
24	N/A	FILTER DRIER CLIP	1
25	H00341	FILTER DRIER	1
26	BD0055	SIDE LOUVERED COVER	1
27	N/A	PANEL MOUNTING BRACKET	1
28	BD0032	DISCHARGE PIPE	1
29	C30007	CONDENSER DRAIN BOX (SS)	1
30	BD0056	SUCTION PIPE	1
31	H00038F	COMPRESSOR (NUG45LR) W/FILTER DRIER	1
31	H00038K	START KIT FOR NUG45LR	*
32	BD0328	BACK COVER GRILL	1
33	BD0020	POWER CORD, 14AWG, NEMA 5-15 (8.2'L)	1
34	BD0036-HC	EVAPORATOR	1
35	N/A	FAN SUPPORT	1
36	H00121	FAN BLADE	1
37	BD0327	EVAPORATOR FAN GUARD	1
38	HC0116-2	Evaporator Fan Motor	1
39	BC302409	EVAPORATOR COVER	1
40	H03335	SENSOR CLIP	1
42	HC10001	DOOR SWITCH CASE	2
43	C2194678	DOOR SWITCH	2
44	N/A	CONDENSER MOUNTING PANEL	1
45	HC30601	EVAPORATOR WATER PAN	1
46	N/A	AIR FLOW PANEL	1
47	BD0042	Lamp	1
48	BD0059	DRAIN GRILL	1
49	BD0067-2	TWO TAP TOWER	1
50	G30001	DRAIN CONNECTOR (M)	1
51	G30001F	DRAIN CONNECTOR (F)	1
52	BD0081	TOWER CONNECTING TUBE	1
53	BD0325	TUBING BUSHING (F)	1
54	BD0326	TUBING BUSHING (M)	1
55	BD0330	BUSHING THREAD COVER	1
56	BD0320	TEE JOINT CLIP	2
57	BD0082	PLASTIC CO2 TEE JOINT	1
58	N/A	PANEL	1
59	BD0381	PLASTIC PROTECTION COVER	1
60	BD0069-01	Air Flow Conduct Pipe	1



MODEL BCBD2-2-HC

MODEL BCBD2-2-HC

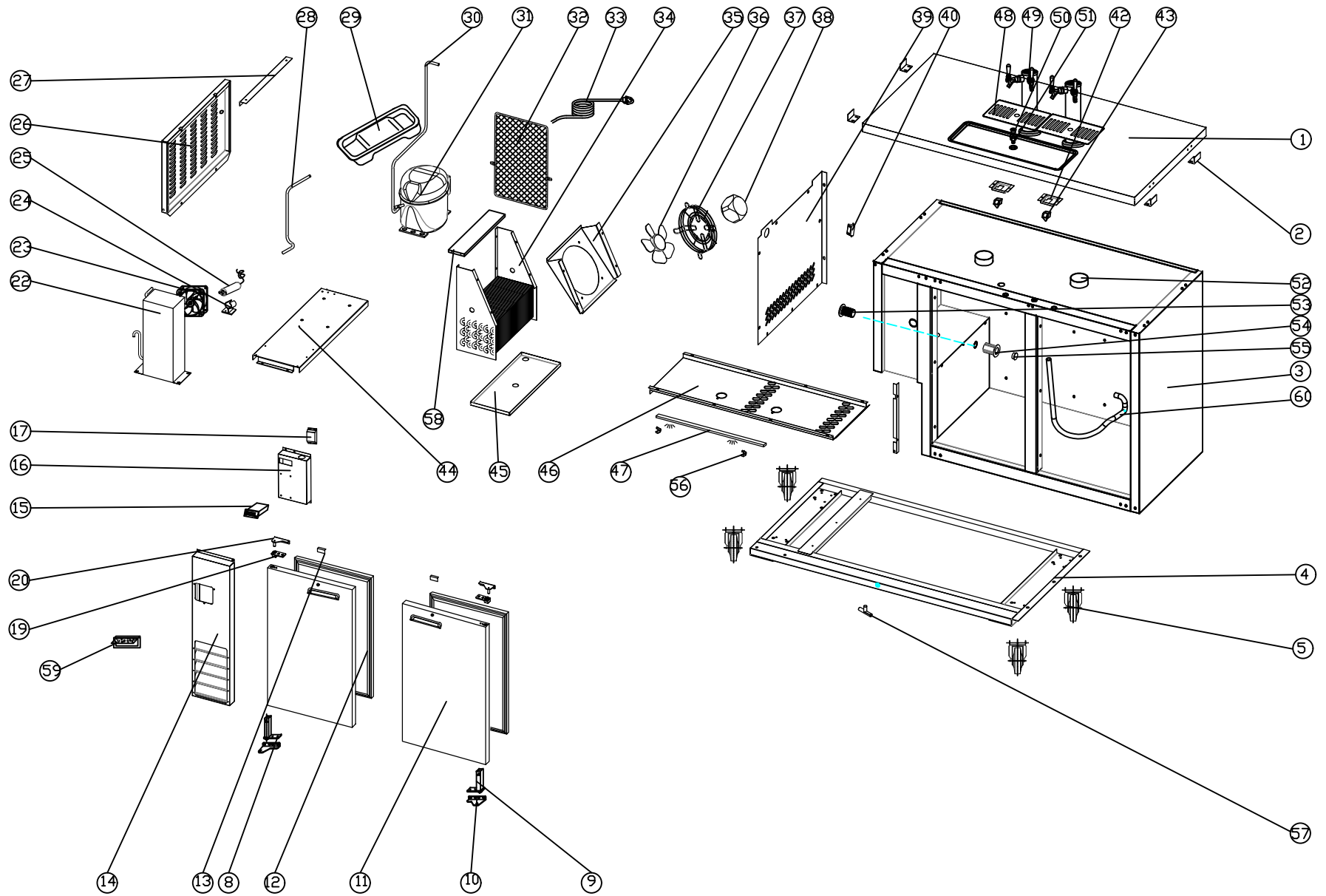
NO.	PART #	NAME	QTY
1	N/A	MAIN TOP	1
2	N/A	TOP BRACKET	4
3	N/A	MAIN CABINET	1
4	N/A	CASTER SUPPORT CHANEL	1
5	H00317	CASTER, 4" DIAMETER WITHOUT BRAKE	2
5	H00316	CASTER, 4" DIAMETER WITH BRAKE	2
8	H00328-2	HINGE CARTRIDGE, SELF CLOSING	1
9	H00328-1	HINGE CARTRIDGE, SELF CLOSING	1
10	BD0323	HINGE, LOWER RIGHT	2
11	BD0045-1	DOOR, LEFT (HC)	1
11	BD0054-1	DOOR, RIGHT (HC)	1
12	BD0040-1	DOOR GASKET (HC)	2
13	BD0046	LOCK BRACKET	2
14	BD0039-HC	FRONT PANEL	1
15	BD0060	TEMPERATURE CONTROL (DIXELL CX40 / XW03K)	1
15	BD0060	TEMPERATURE CONTROL (DIXELL CX40 / XW03K)	1
15	BD0060	TEMPERATURE CONTROL (DIXELL CX40 / XW03K)	1
16	N/A	ELECTRICAL PANEL	1
17	H104070118	LED POWER SUPPLY	1
19	H00326-2	HINGE AXIS JACKET	1
20	BD0322	HINGE, UPPER LEFT	1
20	BD0321	HINGE, UPPER RIGHT	1
21	H00303	CAPILLARY	1
22	BD0329	CONDENSER	1
23	HC1110	CONDENSER FAN MOTOR	1
24	N/A	FILTER DRIER CLIP	1
25	H00341	FILTER DRIER	1
26	BD0055	SIDE LOUVERED COVER	1
27	N/A	PANEL MOUNTING BRACKET	1
28	BD0032	DISCHARGE PIPE	1
29	C30007	CONDENSER DRAIN BOX (SS)	1
30	BD0056	SUCTION PIPE	1
31	H00038F	COMPRESSOR (NUG45LR) W/FILTER DRIER	1
31	H00038K	START KIT FOR NUG45LR	*
32	BD0328	BACK COVER GRILL	1
33	BD0020	POWER CORD, 14AWG, NEMA 5-15 (8.2'L)	1
34	BD0036-HC	EVAPORATOR	1
35	N/A	FAN SUPPORT	1
36	H00121	FAN BLADE	1
37	BD0327	EVAPORATOR FAN GUARD	1
38	HC0116-2	EVAPORATOR FAN MOTOR	1
39	BC302409	EVAPORATOR COVER	1
40	H03335	SENSOR CLIP	1
42	HC10001	DOOR SWITCH CASE	2
43	C2194678	DOOR SWITCH	2
44	N/A	CONDENSER MOUNTING PANEL	1
45	HC30601	EVAPORATOR WATER PAN	1
46	N/A	AIR FLOW PANEL	1
47	BD0042	LAMP	1
48	BD0059	DRAIN GRILL	2
49	BD0067	SINGE TAP TOWER	2
50	G30001	DRAIN CONNECTOR (M)	1
51	G30001F	DRAIN CONNECTOR (F)	1
52	BD0081	TOWER CONNECTING TUBE	2
53	BD0325	TUBING BUSHING (F)	1
54	BD0326	TUBING BUSHING (M)	1
55	BD0330	BUSHING THREAD COVER	1
56	BD0320	TEE JOINT CLIP	2
57	BD0082	PLASTIC CO2 TEE JOINT	1
58	N/A	PANEL	2
59	BD0381	PLASTIC PROTECTION COVER	1
60	BD0069-01	AIR FLOW CONDUCT PIPE	1



MODEL BCBD3-1-HC

MODEL BCBD3-1-HC

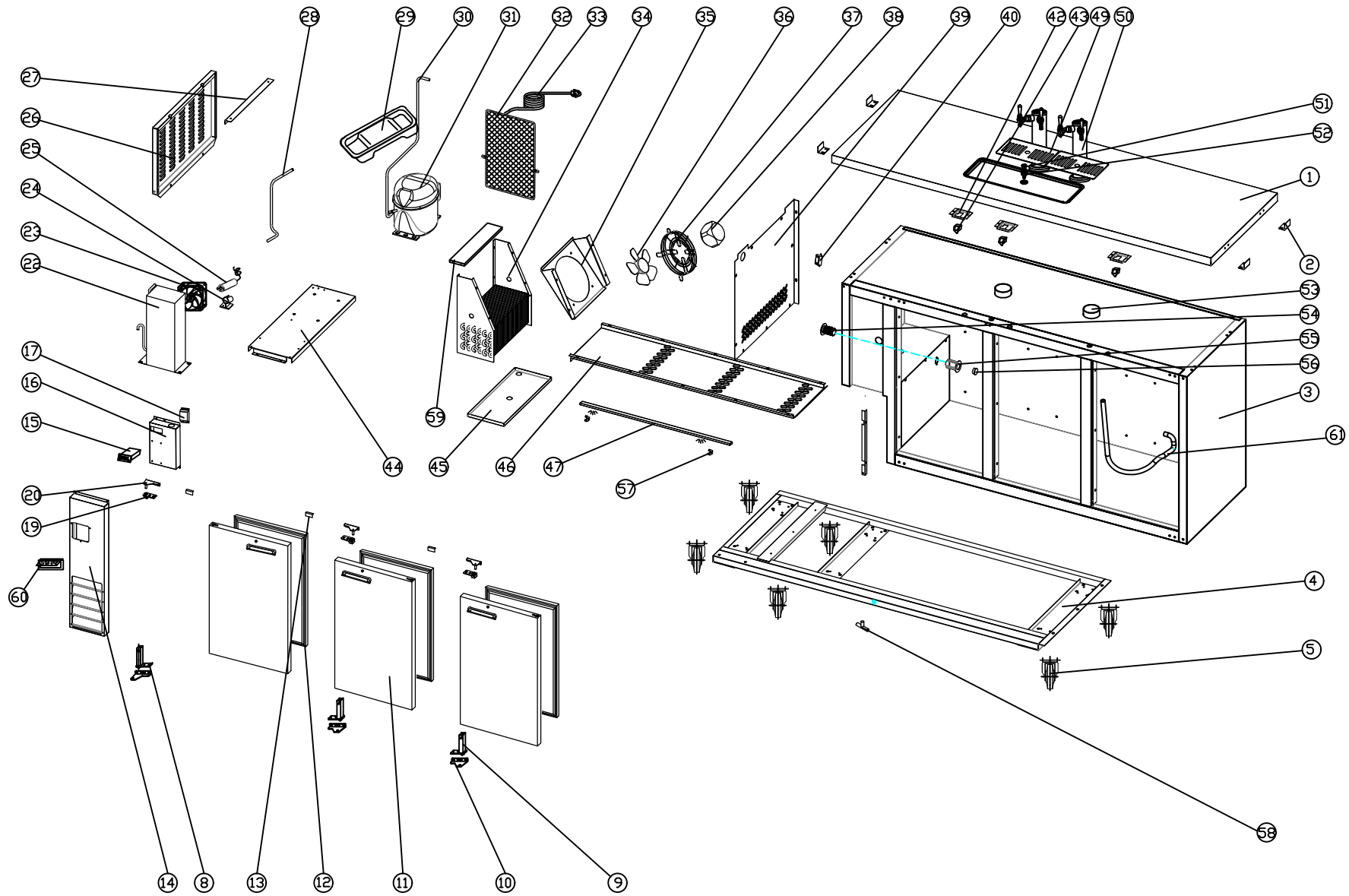
NO.	PART #	NAME	QTY
1	N/A	MAIN TOP	1
2	N/A	TOP BRACKET	4
3	N/A	MAIN CABINET	1
4	N/A	CASTER SUPPORT CHANEL	1
5	H00317	CASTER, 4" DIAMETER WITHOUT BRAKE	2
5	H00316	CASTER, 4" DIAMETER WITH BRAKE	2
8	H00328-2	HINGE CARTRIDGE, SELF CLOSING	1
9	H00328-1	HINGE CARTRIDGE, SELF CLOSING	1
10	BD0323	HINGE, LOWER RIGHT	2
11	BD0085-1	DOOR, LEFT (HC)	1
11	BD0086-1	DOOR, RIGHT (HC)	1
12	BD0079	DOOR GASKET (HC)	2
13	BD0046	LOCK BRACKET	2
14	BD0039-HC	FRONT PANEL	1
15	BD0060	TEMPERATURE CONTROL (DIXELL CX40 / XW03K)	1
15	BD0060	TEMPERATURE CONTROL (DIXELL CX40 / XW03K)	1
15	BD0060	TEMPERATURE CONTROL (DIXELL CX40 / XW03K)	1
16	N/A	ELECTRICAL PANEL	1
17	H104070118	LED POWER SUPPLY	1
19	H00326-2	HINGE AXIS JACKET	1
20	BD0322	HINGE, UPPER LEFT	1
20	BD0321	HINGE, UPPER RIGHT	1
21	H00303	CAPILLARY	1
22	BD0329	CONDENSER	1
23	HC1110	CONDENSER FAN MOTOR	1
24	N/A	FILTER DRIER CLIP	1
25	H00341	FILTER DRIER	1
26	BD0055	SIDE LOUVERED COVER	1
27	N/A	PANEL MOUNTING BRACKET	1
28	BD0032	DISCHARGE PIPE	1
29	C30007	CONDENSER DRAIN BOX (SS)	1
30	BD0056	SUCTION PIPE	1
31	H00038F	COMPRESSOR (NUG45LR) W/FILTER DRIER	1
31	H00038K	START KIT FOR NUG45LR	*
32	BD0328	BACK COVER GRILL	1
33	BD0020	POWER CORD, 14AWG, NEMA 5-15 (8.2'L)	1
34	BD0036-HC	EVAPORATOR	1
35	N/A	FAN SUPPORT	1
36	H00121	FAN BLADE	1
37	BD0327	EVAPORATOR FAN GUARD	1
38	HC0116-2	EVAPORATOR FAN MOTOR	1
39	BC302409	EVAPORATOR COVER	1
40	H03335	SENSOR CLIP	1
42	HC10001	DOOR SWITCH CASE	2
43	C2194678	DOOR SWITCH	2
44	N/A	CONDENSER MOUNTING PANEL	1
45	HC30601	EVAPORATOR WATER PAN	1
46	N/A	SUPPORT PANEL	1
47	BD0142	LAMP	1
48	BD0059	DRAIN GRILL	1
49	BD0067-2	TWO TAP TOWER	1
50	G30001	DRAIN CONNECTOR (M)	1
51	G30001F	DRAIN CONNECTOR (F)	1
52	BD0081	TOWER CONNECTING TUBE	1
53	BD0325	TUBING BUSHING (F)	1
54	BD0326	TUBING BUSHING (M)	1
55	BD0330	BUSHING THREAD COVER	1
56	BD0320	TEE JOINT CLIP	2
57	BD0082	PLASTIC CO2 TEE JOINT	1
58	N/A	PANEL	1
59	BD0381	PLASTIC PROTECTION COVER	1
60	BD0069-01	AIR FLOW CONDUCT PIPE	1



MODEL BCBC3-2-HC

MODEL BCB3-2-HC

NO.	PART #	NAME	QTY
1	N/A	MAIN TOP	1
2	N/A	TOP BRACKET	4
3	N/A	MAIN CABINET	1
4	N/A	CASTER SUPPORT CHANEL	1
5	H00317	CASTER, 4" DIAMETER WITHOUT BRAKE	2
5	H00316	CASTER, 4" DIAMETER WITH BRAKE	2
8	H00328-2	HINGE CARTRIDGE, SELF CLOSING	1
9	H00328-1	HINGE CARTRIDGE, SELF CLOSING	1
10	BD0323	HINGE, LOWER RIGHT	2
11	BD0085-1	DOOR, LEFT (HC)	1
11	BD0086-1	DOOR, RIGHT (HC)	1
12	BD0079	DOOR GASKET (HC)	2
13	BD0046	LOCK BRACKET	2
14	BD0039-HC	FRONT PANEL	1
15	BD0060	TEMPERATURE CONTROL (DIXELL CX40 / XW03K)	1
15	BD0060	TEMPERATURE CONTROL (DIXELL CX40 / XW03K)	1
15	BD0060	TEMPERATURE CONTROL (DIXELL CX40 / XW03K)	1
16	N/A	ELECTRICAL PANEL	1
17	H104070118	LED POWER SUPPLY	1
19	H00326-2	HINGE AXIS JACKET	1
20	BD0322	HINGE, UPPER LEFT	1
20	BD0321	HINGE, UPPER RIGHT	1
21	H00303	CAPILLARY	1
22	BD0329	CONDENSER	1
23	HC1110	CONDENSER FAN MOTOR	1
24	N/A	FILTER DRIER CLIP	1
25	H00341	FILTER DRIER	1
26	BD0055	SIDE LOUVERED COVER	1
27	N/A	PANEL MOUNTING BRACKET	1
28	BD0032	DISCHARGE PIPE	1
29	C30007	CONDENSER DRAIN BOX (SS)	1
30	BD0056	SUCTION PIPE	1
31	H00038F	COMPRESSOR (NUG45LR) W/FILTER DRIER	1
31	H00038K	START KIT FOR NUG45LR	
32	BD0328	BACK COVER GRILL	1
33	BD0020	POWER CORD, 14AWG, NEMA 5-15 (8.2'L)	1
34	BD0036-HC	EVAPORATOR	1
35	N/A	FAN SUPPORT	1
36	H00121	FAN BLADE	1
37	BD0327	EVAPORATOR FAN GUARD	1
38	HC0116-2	EVAPORATOR FAN MOTOR	1
39	BC302409	EVAPORATOR COVER	1
40	H03335	SENSOR CLIP	1
42	HC10001	DOOR SWITCH CASE	2
43	C2194678	DOOR SWITCH	2
44	N/A	CONDENSER MOUNTING PANEL	1
45	HC30601	EVAPORATOR WATER PAN	1
46	N/A	AIR FLOW PANEL	1
47	BD0142	LAMP	1
48	BD0059	DRAIN GRILL	2
49	BD0067	SINGE TAP TOWER	2
50	G30001	DRAIN CONNECTOR (M)	1
51	G30001F	DRAIN CONNECTOR (F)	1
52	BD0081	TOWER CONNECTING TUBE	2
53	BD0325	TUBING BUSHING (F)	1
54	BD0326	TUBING BUSHING (M)	1
55	BD0330	BUSHING THREAD COVER	1
56	BD0320	TEE JOINT CLIP	2
57	BD0082	PLASTIC CO2 TEE JOINT	1
58	N/A	PANEL	1
59	BD0381	PLASTIC PROTECTION COVER	1
60	BD0069-01	Air Flow Conduct Pipe	1



MODEL BCBC4-2-HC

MODEL BCB4-2-HC

NO.	PART #	NAME	QTY
1	N/A	MAIN TOP	1
2	N/A	TOP BRACKET	4
3	N/A	MAIN CABINET	1
4	N/A	CASTER SUPPORT CHANEL	1
5	H00317	CASTER, 4" DIAMETER WITHOUT BRAKE	2
5	H000316	CASTER, 4" DIAMETER WITH BRAKE	2
8	H00328-2	HINGE CARTRIDGE, SELF CLOSING	1
9	H00328-1	HINGE CARTRIDGE, SELF CLOSING	2
10	BD0323	HINGE, LOWER RIGHT	3
11	BD0083-1	DOOR, LEFT (HC)	1
11	BD0084-1	DOOR, RIGHT (HC)	2
12	BD0080	DOOR GASKET (HC)	3
13	BD0046	LOCK BRACKET	3
14	BD0039-HC	FRONT PANEL	1
15	BD0060	TEMPERATURE CONTROL (DIXELL CX40 / XW03K)	1
15	BD0060	TEMPERATURE CONTROL (DIXELL CX40 / XW03K)	1
15	BD0060	TEMPERATURE CONTROL (DIXELL CX40 / XW03K)	1
16	N/A	ELECTRICAL PANEL	1
17	H104070118	LED POWER SUPPLY	1
19	H00326-2	HINGE AXIS JACKET	1
20	BD0322	HINGE, UPPER LEFT	1
20	BD0321	HINGE, UPPER RIGHT	2
21	H00303	CAPILLARY	1
22	BD0329	CONDENSER	1
23	HC1110	CONDENSER FAN MOTOR	1
24	N/A	FILTER DRIER CLIP	1
25	H00341	FILTER DRIER	1
26	BD0055	SIDE LOUVERED COVER	1
27	N/A	PANEL MOUNTING BRACKET	1
28	BD0032	DISCHARGE PIPE	1
29	C30007	CONDENSER DRAIN BOX (SS)	1
30	BD0056	SUCTION PIPE	1
31	H00038F	COMPRESSOR (NUG45LR) W/FILTER DRIER	1
31	H00038K	START KIT FOR NUG45LR	
32	BD0328	BACK COVER GRILL	1
33	BD0020	POWER CORD, 14AWG, NEMA 5-15 (8.2'L)	1
34	BD0036-HC	EVAPORATOR	1
35	N/A	FAN SUPPORT	1
36	H00121	FAN BLADE	1
37	BD0327	EVAPORATOR FAN GUARD	1
38	HC0116-2	EVAPORATOR FAN MOTOR	1
39	BC302409	EVAPORATOR COVER	1
40	H03335	SENSOR CLIP	1
42	HC10001	DOOR SWITCH CASE	2
43	C2194678	DOOR SWITCH	2
44	N/A	CONDENSER MOUNTING PANEL	1
45	HC30601	EVAPORATOR WATER PAN	1
46	N/A	SUPPORT PANEL	1
47	BD0242	LAMP	1
49	BD0059	DRAIN GRILL	2
50	BD0067-2	TWO TAP TOWER	2
51	G30001	DRAIN CONNECTOR (M)	1
52	G30001F	DRAIN CONNECTOR (F)	1
53	BD0081	TOWER CONNECTING TUBE	2
54	BD0325	TUBING BUSHING (F)	1
55	BD0326	TUBING BUSHING (M)	1
56	BD0330	BUSHING THREAD COVER	1
57	BD0320	TEE JOINT CLIP	2
58	BD0082	PLASTIC CO2 TEE JOINT	1
59	N/A	PANEL	1
60	BD0381	PLASTIC PROTECTION COVER	1
61	BD0069-01	AIR FLOW CONDUCT PIPE	1



For Tech Support or Parts Call:
1-704-900-2068

Website: <https://www.entree.biz>