

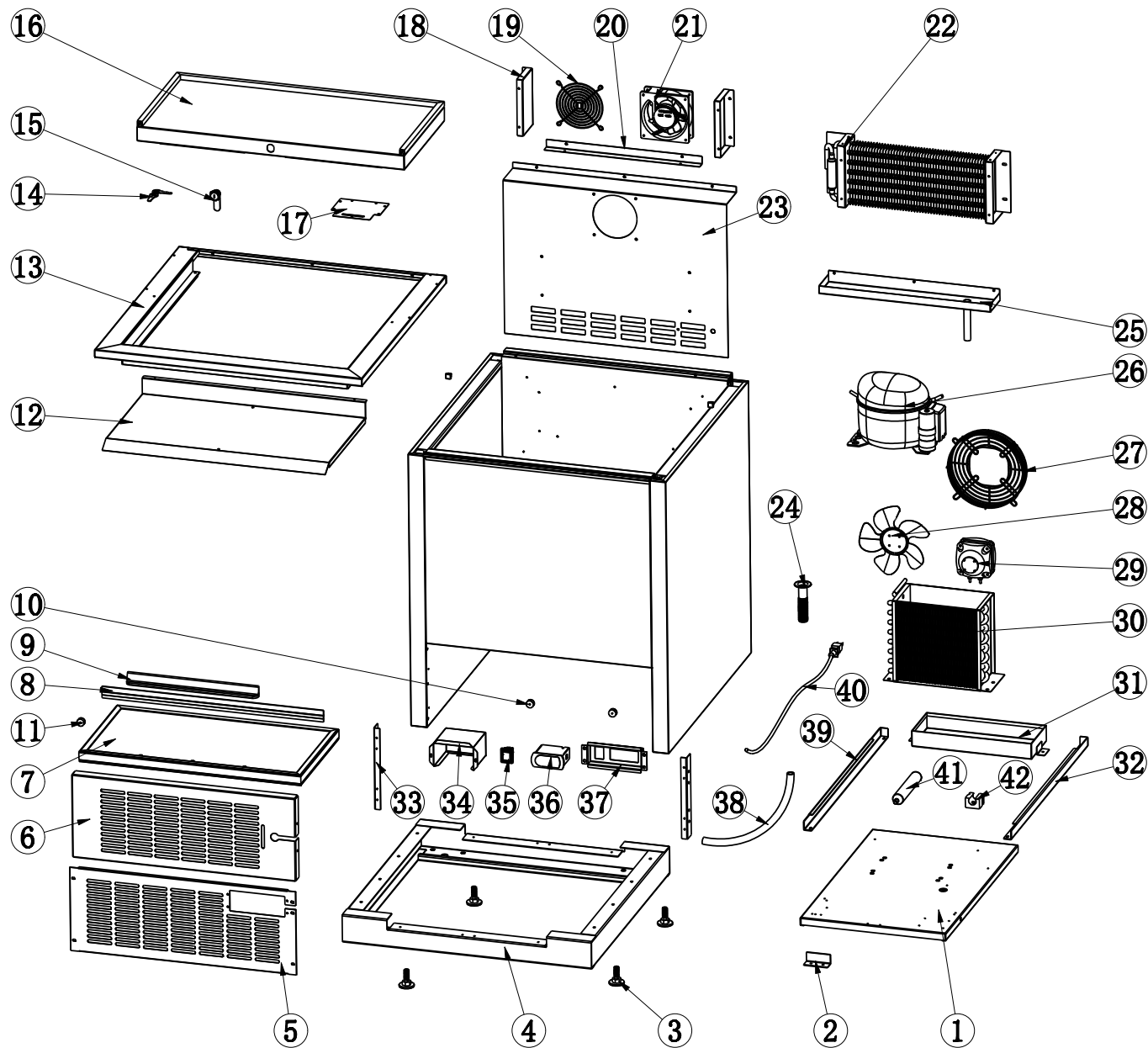


PART LIST FOR SLIDE TOP BOTTLE COOLERS:

EBC25X, ECB36X, ECB50X, ECB65X,
ECB80X, AND ECB95X



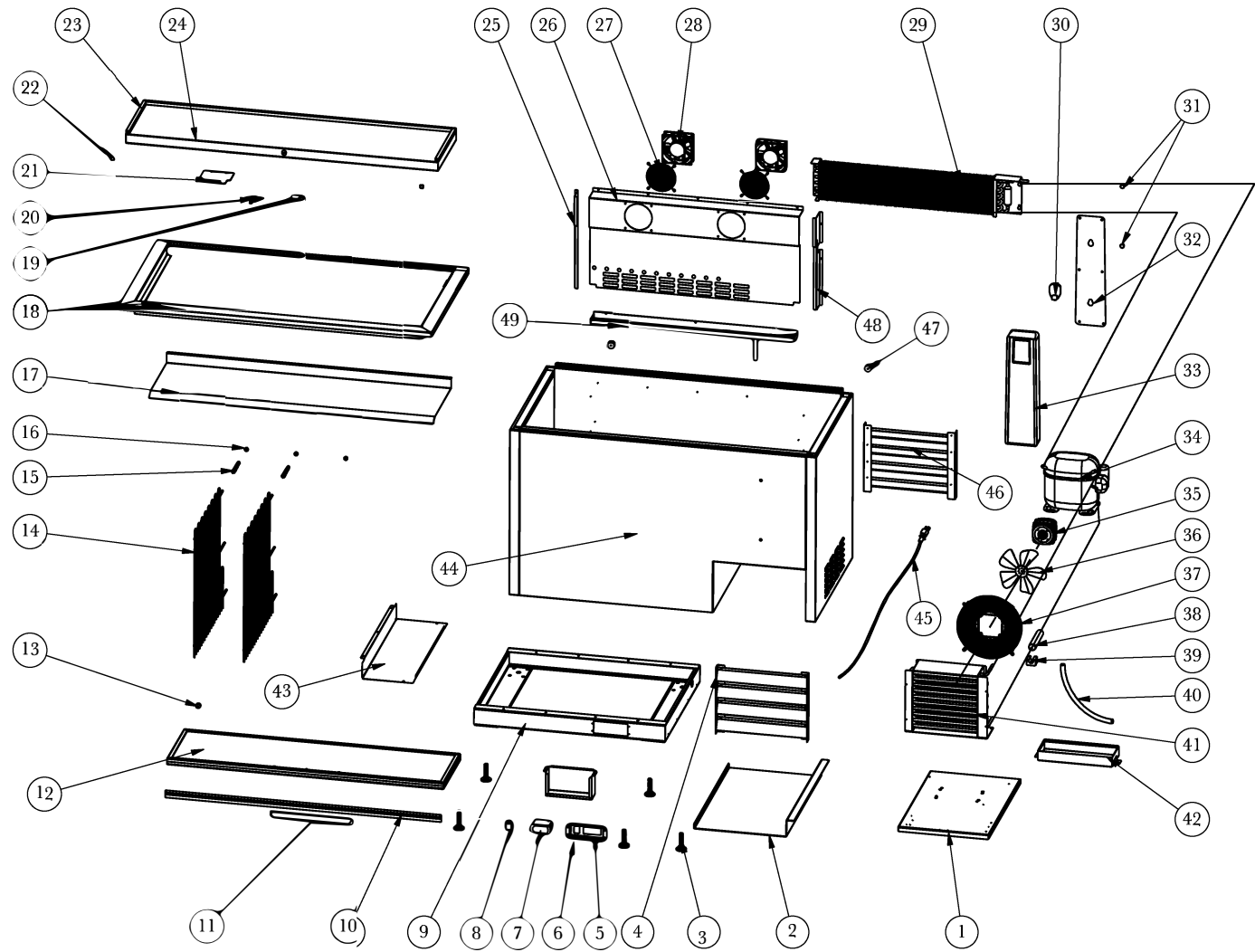
For Parts Call 704-900-2068, Option #2



MODEL ECB25X

MODEL EBC25X

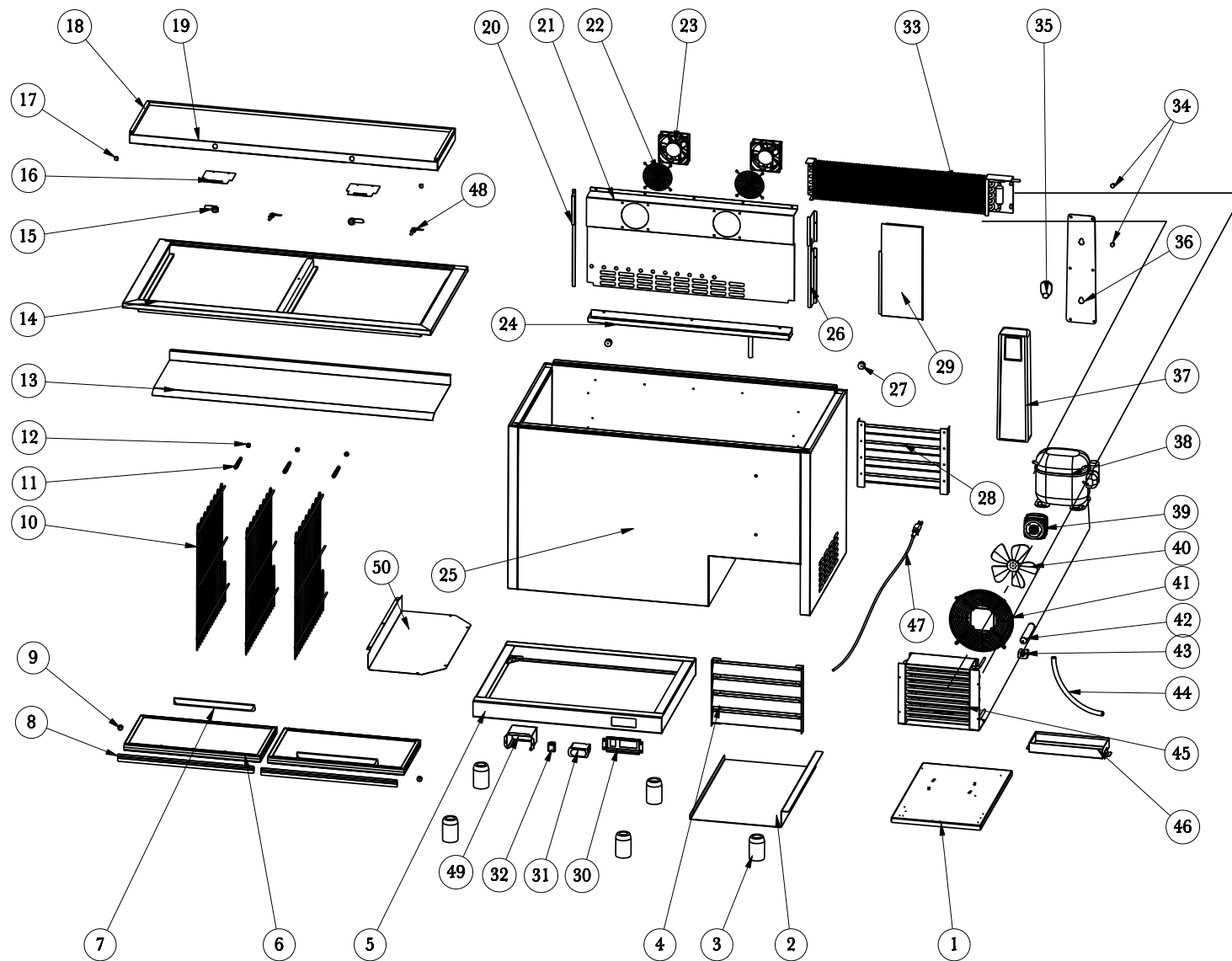
NO.	PART #	DESCRIPTION	QTY
1	N/A	COMPRESSOR UNIT INSTALLATION BOARD	1
2	N/A	INSTALLATION BOARD LIMITED BLOCK	3
3	X12534030002	LEVELING FEET (OPTIONAL)	4
3	X12533040010	3" CASTER W/O BRAKE	2
3	X12533040015	3" CASTER W/BRAKE	2
4	N/A	CABINET BASE	1
5	XSBC01025	FRONT GRILL	1
6	N/A	BACK GRILL	1
7	XSBC04025	DOOR (21.9" X 12")	1
8	XSBC04000	DOOR GASKET	1
9	X16337030002	DOOR HANDLE	1
10	XSBC01001	REAR SPACER	2
11	XSBC01029	LIMIT BLOCK - SLIDE DOOR	2
12	N/A	PANEL UNDER TABLE	1
13	N/A	UNDER TABLE COMPONENT	1
14	XX-H00357	KEY SET OF TWO	1
15	XX-H00340	LOCK	1
16	N/A	MAIN TOP	1
17	N/A	BASE BOARD FOR LOCK	1
18	N/A	EPARORATOR AIR BAFFLE R & L	2
19	XSBC06115	EVAPORATOR FAN MOTOR COVER	1
20	N/A	EPARORATOR FAN BOTTOM BAFFLE	1
21	X1003001114715	FAN MOTOR - EVAPORATOR	1
22	XSBC06025	EVAPORATOR COIL	1
23	N/A	EVAPORATOR COVER	1
24	XSBC02001	DRAIN TUBE - EVAPORATOR	1
25	XSBC02011	DRAIN PAN - EVAPORATOR	1
26	X17202163113	COMPRESSOR (EM2X3113U/115V/60HZ/R290)	1
26	X180010	CAP TUBE .039" I.D. X 71" L	
26	XSTARTKIT02	START KIT FOR EM2X3113U	
27	XRI0122	FAN MOTOR - CONDENSER COVER	1
28	XX-CFB001	MOTOR BLADE - CONDENSER	1
29	X22752520004	FAN MOTOR - CONDENSER	1
30	XSBC07025	CONDENSER COIL	1
31	XSBC02006	DRAIN PAN - CONDENSER	1
32	N/A	RIGHT RAIL FOR INSTALLATION BOARD	1
33	N/A	FRONT GRILL MOUNTING BRACKET	2
34	X16351170004	THERMOSTAT WATER PROOF COVER	1
35	XRI0056	POWER SWITCH	1
36	XRI0060	THERMOSTAT (DIXELL XR03CX)	1
36	XX-THT002	TEMPERATURE PROBE, NTC	1
37	N/A	THERMOSTAT INSTALLATION COVER	1
38	XRI0024	DRAIN TUBE	1
39	N/A	LEFT RAIL FOR INSTALLATION BOARD	1
40	XX-2194684	POWER CORD (16AWG, 8.2' NEMA 5-15P)	1
41	XX-H00341	FILTER DRIER	1
42	XX-H00346	FILTER DRIER MOUNTING BRACKET	1



MODEL EBC36X

MODEL EBC36X

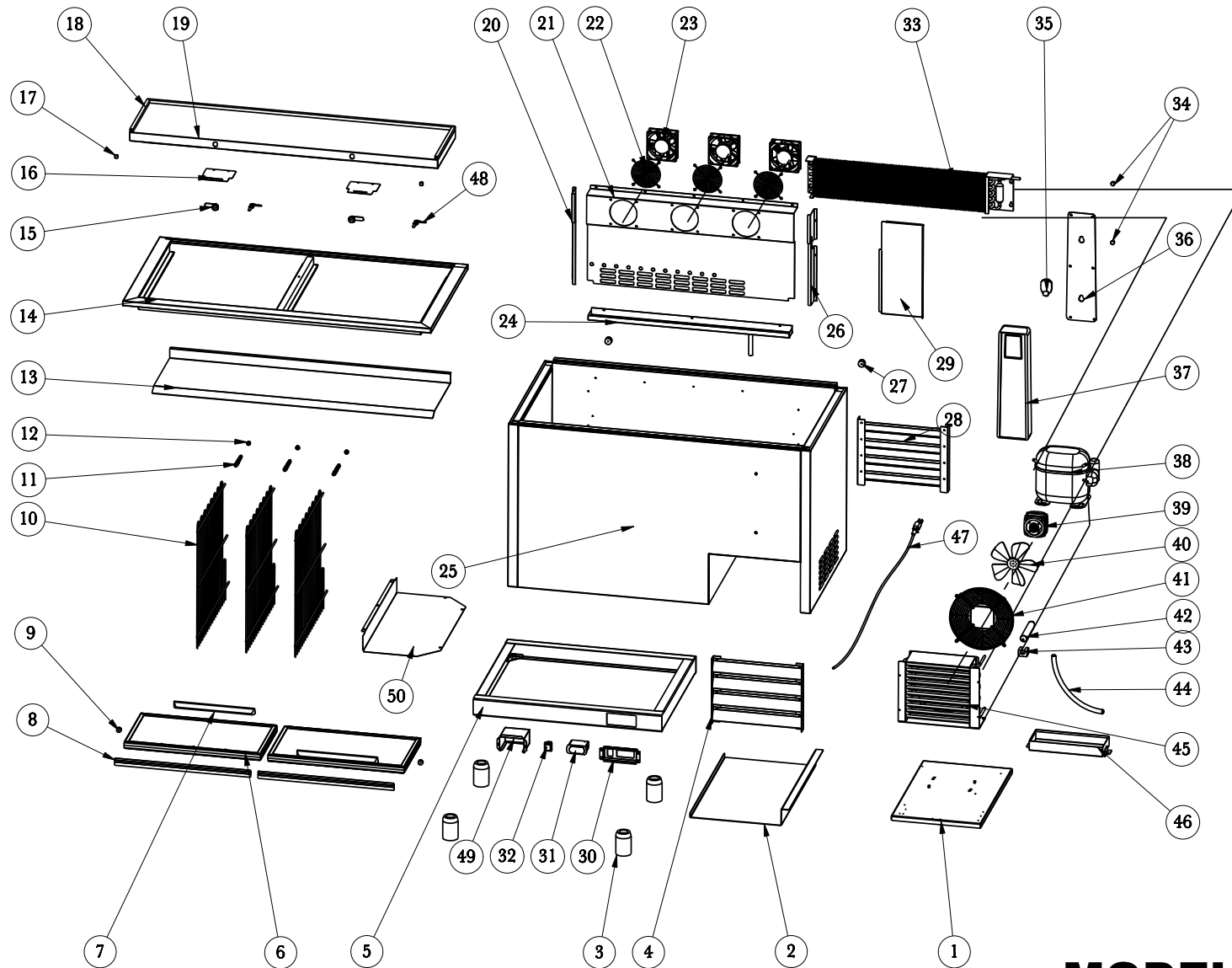
NO.	PART #	DESCRIPTION	QTY
1	N/A	COMPRESSOR UNIT INSTALLATION BOARD	1
2	N/A	BASE BOARD	1
3	X12534030002	LEVELING FEET (OPTIONAL)	5
3	X12533040010	3" CASTER W/O BRAKE	3
3	X12533040015	3" CASTER W/BRAKE	2
4	XSBC01050	FRONT GRILL	1
5	N/A	THERMOSTAT INSTALLATION COVER	1
6	X16351170004	THERMOSTAT WATER PROOF COVER	1
7	XRI0060	THERMOSTAT (DIXELL XR03CX)	1
7	XX-THT	TEMPERATURE PROBE, NTC	1
8	XRI0056	POWER SWITCH	1
9	N/A	CABINET BASE	1
10	XSBC04000	DOOR GASKET	1
11	X16337030002	DOOR HANDLE	1
12	XSBC04036	DOOR (31.5" X 12")	1
13	XSBC01029	LIMIT BLOCK - SLIDE DOOR	1
14	XSBC03000	VERTICAL PARTITION	2
15	XSBC03002	VERTICAL PARTITION SPRING	2
16	XSBC03001	VERTICAL PARTITION CAP	21
17	N/A	PANEL UNDER TABLE	1
18	N/A	FRAME TOP	1
19	XX-H00340	LOCK	1
20	XX-H00357	KEY SET OF TWO	1
21	N/A	BASE BOARD FOR LOCK	1
22	N/A	DECORATION COVER	2
23	XSBC01019	MOULDING	1
24	N/A	MAIN TOP	1
25	N/A	LEFT SUPPORT FOR EVAPORATOR COVER	1
26	N/A	EVAPORATOR COVER	1
27	XSBC06115	EVAPORATOR FAN MOTOR COVER	2
28	X1003001114715	FAN MOTOR - EVAPORATOR	2
29	XSBC06036	EVAPORATOR COIL	1
30	XSBC01150	BOTTLE OPENER	1
31	N/A	SCREW FOR BOTTLE OPENER COMPONENT	2
32	N/A	BOTTLE OPENER BOARD	1
33	XSBC01151	BOTTLE OPENER COVER	1
34	X17202163113	COMPRESSOR (EM2X3113U/115V/60HZ/R290)	1
34	X180010	CAP TUBE .039" I.D. X 71" L	
34	XSTARTKIT02	START KIT FOR EM2X3113U	
35	X22752520004	FAN MOTOR - CONDENSER	1
36	X16381738122	MOTOR BLADE - CONDENSER	1
37	XRI0122	FAN MOTOR - CONDENSER COVER	1
38	XX-H00341	FILTER DRIER	1
39	XX-H00346	FILTER DRIER MOUNTING BRACKET	1
40	XRI0024	DRAIN TUBE	1
41	XSBC07036	CONDENSER COIL	1
42	XSBC02006	DRAIN PAN - CONDENSER	1
43	N/A	THERMOSTAT BAFFLE	1
44	N/A	CABINET	1
45	XX-2194684	POWER CORD (16AWG, 8.2' NEMA 5-15P)	1
46	XSBC01039	GRILL REAR COVER	1
47	XSBC01001	BACK LIMIT BLOCK	2
48	N/A	RIGHT SUPPORT FOR EVAPORATOR COVER	1
49	XSBC02023	DRAIN PAN - EVAPORATOR	1



MODEL ECB50X

MODEL EBC50X

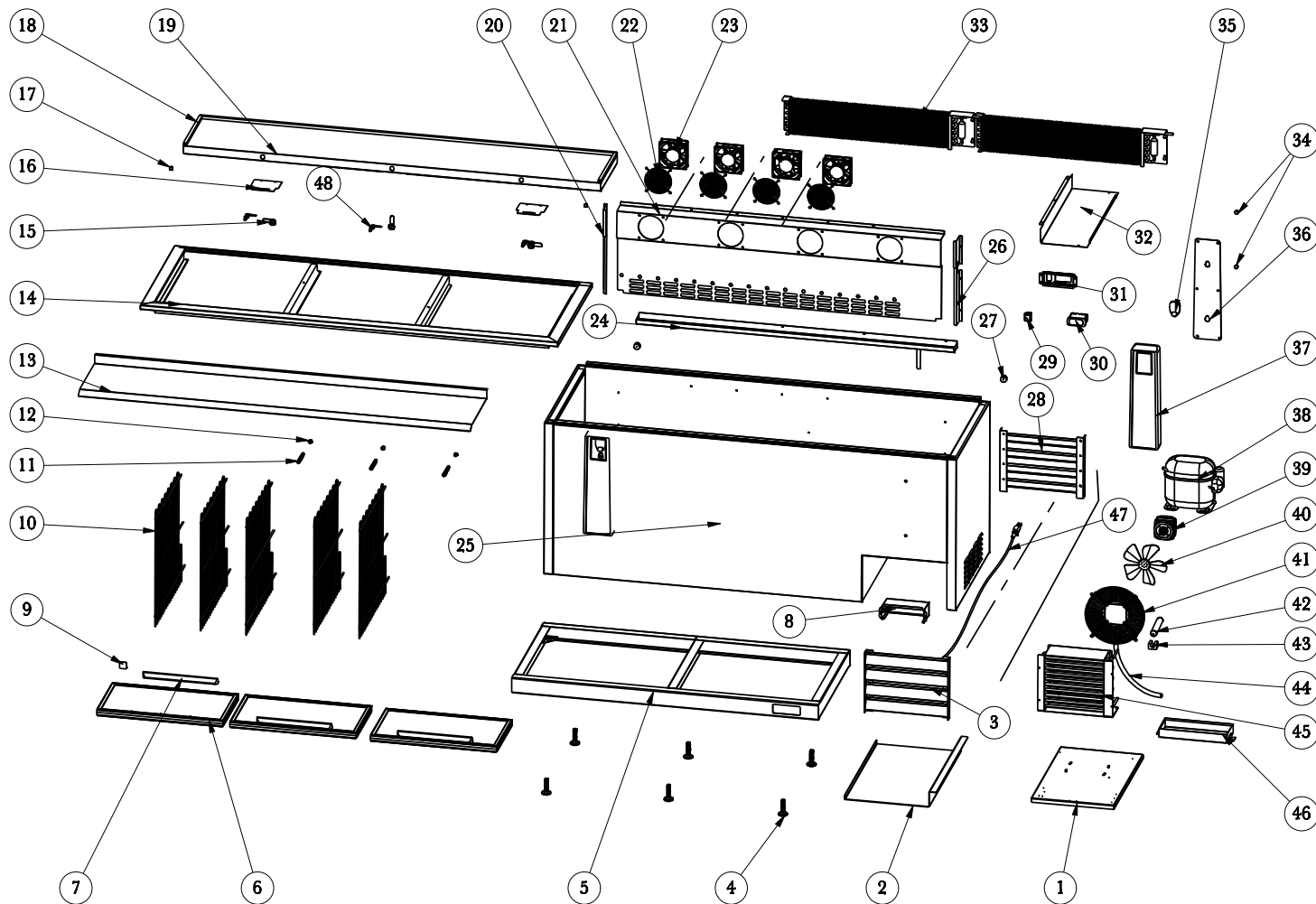
NO.	PART #	DESCRIPTION	QTY
1	N/A	COMPRESSOR UNIT INSTALLATION BOARD	1
2	N/A	BASE BOARD	1
3	X12534030002	LEVELING FEET (OPTIONAL)	5
3	X12533040010	3" CASTER W/O BRAKE	3
3	X12533040015	3" CASTER W/BRAKE	2
4	XSBC01050	FRONT GRILL	1
5	N/A	CABINET BASE	1
6	XSBC04050	DOOR (21.9" X 12")	2
7	X16337030002	DOOR HANDLE	2
8	XSBC04000	DOOR GASKET	2
9	XSBC01029	LIMIT BLOCK - SLIDE DOOR	2
10	XSBC03000	VERTICAL PARTITION	3
11	XSBC03002	VERTICAL PARTITION SPRING	3
12	XSBC03001	VERTICAL PARTITION CAP	30
13	N/A	PANEL UNDER TABLE	1
14	N/A	UNDER TABLE COMPONENT	1
15	XX-H00340	LOCK	2
16	N/A	BASE BOARD FOR LOCK	2
17	N/A	COVER	2
18	XSBC01033	MOULDING	1
19	N/A	MAIN TOP	2
20	N/A	LEFT SUPPORT FOR EVAPORATOR COVER	1
21	N/A	EVAPORATOR COVER	1
22	XSBC06115	EVAPORATOR FAN MOTOR COVER	2
23	X100300114715	FAN MOTOR - EVAPORATOR	2
24	XSBC02037	DRAIN PAN - EVAPORATOR	1
25	N/A	CABINET	1
26	N/A	RIGHT SUPPORT FOR EVAPORATOR COVER	1
27	XSBC01001	BACK LIMIT BLOCK	2
28	XSBC01039	GRILL REAR COVER	1
29	N/A	INNER BAFFLE	1
30	N/A	THERMOSTAT INSTALLATION COVER	1
31	XRI0060	THERMOSTAT (DIXELL XR03CX)	1
31	XX-THT002	TEMPERATURE SENSOR, NTC	1
32	XRI0056	POWER SWITCH	1
33	XSBC06050	EVAPORATOR COIL	1
34	N/A	SCREW FOR BOTTLE OPENER COMPONENT	2
35	XSBC01150	BOTTLE OPENER	1
36	N/A	BOTTLE OPENER BOARD	1
37	XSBC01151	BOTTLE OPENER COVER	1
38	X17202163113	COMPRESSOR (EM2X3113U/115V/60HZ/R290)	1
38	X200009	CAP TUBE .035" I.D. X 78.75" L	
38	XSTARTKIT02	START KIT FOR EM2X3113U	
39	X22752520004	FAN MOTOR - CONDENSER	1
40	X16381738122	MOTOR BLADE - CONDENSER	1
41	XRI0122	FAN MOTOR - CONDENSER COVER	1
42	XX-H00341	FILTER DRIER	1
43	XX-H00346	FILTER DRIER MOUNTING BRACKET	1
44	XRI0024	DRAIN TUBE	1
45	XSBC07036	CONDENSER COIL	1
46	XSBC02006	DRAIN PAN - CONDENSER	1
47	XX-2194684	POWER CORD (16AWG, 8.2' NEMA 5-15P)	1
48	XX-H00357	KEY SET OF TWO	2
49	X16351170004	THERMOSTAT WATER PROOF COVER	1
50	N/A	THERMOSTAT BAFFLE	1



MODEL ECB65X

MODEL EBC65X

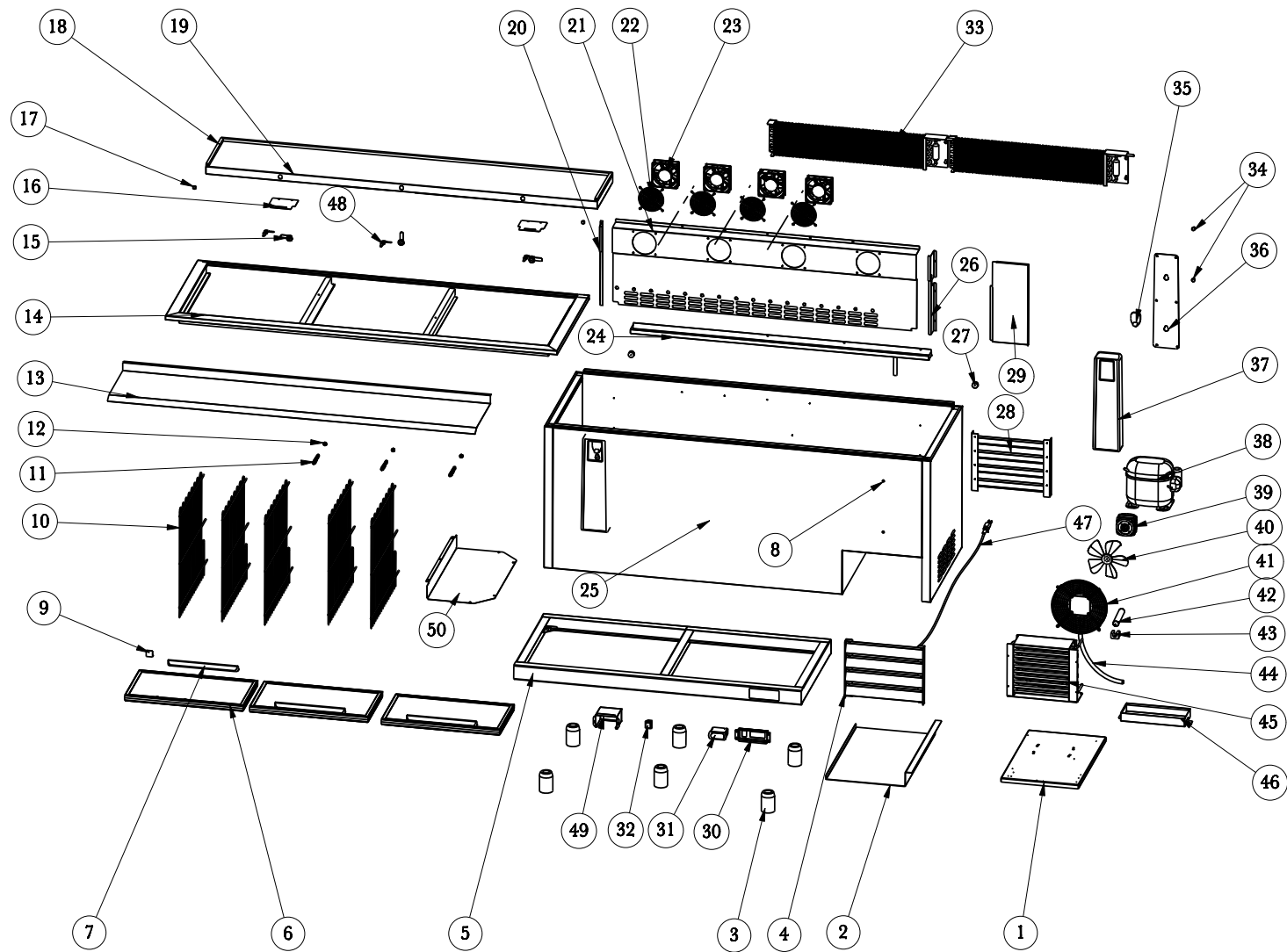
NO.	PART #	DESCRIPTION	QTY
1	N/A	COMPRESSOR UNIT INSTALLATION BOARD	1
2	N/A	BASE BOARD	1
3	X12534030002	LEVELING FEET (OPTIONAL)	5
3	X12533040010	3" CASTER W/O BRAKE	2
3	X12533040015	3" CASTER W/BRAKE	2
4	XSBC01050	FRONT GRILL	1
5	N/A	CABINET BASE	1
6	XSBC04095	DOOR (29.4" X 12")	2
7	X16337030002	DOOR HANDLE	2
8	XSBC04000	DOOR GASKET	2
9	XSBC01029	LIMIT BLOCK - SLIDE DOOR	2
10	XSBC03000	VERTICAL PARTITION	3
11	XSBC03002	VERTICAL PARTITION SPRING	3
12	XSBC03001	VERTICAL PARTITION CAP	51
13	N/A	PANEL UNDER TABLE	1
14	N/A	UNDER TABLE COMPONENT	1
15	XX-H00340	LOCK	2
16	N/A	BASE BOARD FOR LOCK	2
17	N/A	DECORATION COVER	2
18	XSBC01048	MOULDING	1
19	N/A	MAIN TOP	2
20	N/A	LEFT SUPPORT FOR EVAPORATOR COVER	1
21	N/A	EVAPORATOR COVER	1
22	XSBC06115	EVAPORATOR FAN MOTOR COVER	3
23	X1003001114715	FAN MOTOR - EVAPORATOR	3
24	XSBC02051	DRAIN PAN - EVAPORATOR	1
25	N/A	CABINET	1
26	N/A	RIGHT SUPPORT FOR EVAPORATOR COVER	1
27	XSBC01001	BACK LIMIT BLOCK	2
28	XSBC01039	GRILL REAR COVER	1
29	N/A	INNER BAFFLE	1
30	N/A	THERMOSTAT INSTALLATION COVER	1
31	XRI0060	THERMOSTAT (DIXELL XR03CX)	1
31	XX-THT002	TEMPERATURE SENSOR, NTC	1
32	XRI0056	POWER SWITCH	1
33	XSBC06065	EVAPORATOR COIL	1
34	N/A	SCREW FOR BOTTLE OPENER COMPONENT	2
35	XSBC01150	BOTTLE OPENER	1
36	N/A	BOTTLE OPENER BOARD	1
37	XSBC01151	BOTTLE OPENER COVER	1
38	X17202163113	COMPRESSOR (EM2X3113U/115V/60HZ/R290)	1
38	X210010	CAP TUBE .039" I.D. X 82.7" L	1
38	XSTARTKIT02	START KIT FOR EM2X3113U	
39	X22752520004	FAN MOTOR - CONDENSER	1
40	X16381738122	MOTOR BLADE - CONDENSER	1
41	XRI0122	FAN MOTOR - CONDENSER COVER	1
42	XX-H00341	FILTER DRIER	1
43	XX-H00346	FILTER DRIER MOUNTING BRACKET	1
44	XRI0024	DRAIN TUBE	1
45	XSBC07036	CONDENSER COIL	1
46	XSBC02006	DRAIN PAN - CONDENSER	1
47	XX-2194684	POWER CORD (16AWG, 8.2' NEMA 5-15P)	1
48	XX-H00357	KEY SET OF TWO	2
49	X16351170004	THERMOSTAT WATER PROOF COVER	1
50	N/A	THERMOSTAT BAFFLE	1



MODEL ECB80X

MODEL EBC80X

NO.	PART #	DESCRIPTION	QTY
1	N/A	COMPRESSOR UNIT INSTALLATION BOARD	1
2	N/A	BASE BOARD	1
3	XSBC01050	FRONT GRILL	1
4	X12534030002	LEVELING FEET (OPTIONAL)	7
4	X12533040010	3" CASTER W/O BRAKE	3
4	X12533040015	3" CASTER W/BRAKE	3
5	N/A	CABINET BASE	1
6	XSBC04080	DOOR (24.2" X 12")	3
7	X16337030002	DOOR HANDLE	3
8	X16351170004	THERMOSTAT WATER PROOF COVER	1
9	XSBC01029	LIMIT BLOCK - SLIDE DOOR	3
10	XSBC03000	VERTICAL PARTITION	5
11	XSBC03002	VERTICAL PARTITION SPRING	5
12	XSBC03001	VERTICAL PARTITION CAP	84
13	N/A	PANEL UNDER TABLE	1
14	N/A	UNDER TABLE COMPONENT	1
15	XX-H00340	LOCK	3
16	N/A	BASE BOARD FOR LOCK	3
17	N/A	DECORATION COVER	2
18	XSBC01056	MOULDING	1
19	N/A	MAIN TOP	2
20	N/A	LEFT SUPPORT FOR EVAPORATOR COVER	1
21	N/A	EVAPORATOR COVER	1
22	XSBC06115	EVAPORATOR FAN MOTOR COVER	4
23	X1003001114715	FAN MOTOR - EVAPORATOR	4
24	XSBC02059	DRAIN PAN - EVAPORATOR	1
25	N/A	CABINET	1
26	N/A	RIGHT SUPPORT FOR EVAPORATOR COVER	1
27	XSBC01001	BACK LIMIT BLOCK	2
28	XSBC01039	GRILL REAR COVER	1
29	XRI0056	POWER SWITCH	1
30	XRI0060	THERMOSTAT (DIXELL XR03CX)	1
30	XX-THT002	TEMPERATURE SENSOR, NTC	1
31	N/A	THERMOSTAT INSTALLATION COVER	1
32	N/A	THERMOSTAT BAFFLE	1
33	XSBC06095	EVAPORATOR COIL	1
34	N/A	SCREW FOR BOTTLE OPENER COMPONENT	4
35	XSBC01150	BOTTLE OPENER	2
36	N/A	BOTTLE OPENER BOARD	2
37	XSBC01151	BOTTLE OPENER COVER	2
38	X17202163121	COMPRESSOR (EM2X3121U/110V/R290)	1
38	H00033K	START KIT FOR EM2X3125U	*
38	X280014	CAP TUBE .055" I.D. X 110.25" L	1
39	X22752520004	FAN MOTOR - CONDENSER	1
40	X16381738122	MOTOR BLADE - CONDENSER	1
41	XRI0122	FAN MOTOR - CONDENSER COVER	1
42	XX-H00341	FILTER DRIER	1
43	XX-H00346	FILTER DRIER MOUNTING BRACKET	1
44	XRI0024	DRAIN TUBE	1
45	XSBC07095	CONDENSER COIL	1
46	XSBC02006	DRAIN PAN - CONDENSER	1
47	XX-2194684	POWER CORD (16AWG, 8.2' NEMA 5-15P)	1



MODEL ECB95X

MODEL EBC95X

NO.	PART #	DESCRIPTION	QTY
1	N/A	COMPRESSOR UNIT INSTALLATION BOARD	1
2	N/A	BASE BOARD	1
3	X12534030002	LEVELING FEET (OPTIONAL)	7
3	X12533040010	3" CASTER W/O BRAKE	3
3	X12533040015	3" CASTER W/BRAKE	3
4	XSBC01050	FRONT GRILL	1
5	N/A	CABINET BASE	1
6	XSBC04095	DOOR (29.4" X 12")	3
7	X16337030002	DOOR HANDLE	3
8	XSBC04000	DOOR GASKET	3
9	XSBC01029	LIMIT BLOCK - SLIDE DOOR	3
10	XSBC03000	VERTICAL PARTITION	5
11	XSBC03002	VERTICAL PARTITION SPRING	5
12	XSBC03001	VERTICAL PARTITION CAP	84
13	N/A	PANEL UNDER TABLE	1
14	N/A	UNDER TABLE COMPONENT	1
15	XX-H00340	LOCK	3
16	N/A	BASE BOARD FOR LOCK	3
17	N/A	DECORATION COVER	2
18	XSBC01063	MOULDING	1
19	N/A	MAIN TOP	2
20	N/A	LEFT SUPPORT FOR EVAPORATOR COVER	1
21	N/A	EVAPORATOR COVER	1
22	XSBC06115	EVAPORATOR FAN MOTOR COVER	4
23	X1003001114715	FAN MOTOR - EVAPORATOR	4
24	XSBC02066	DRAIN PAN - EVAPORATOR	1
25	N/A	CABINET	1
26	N/A	RIGHT SUPPORT FOR EVAPORATOR COVER	1
27	XSBC01001	BACK LIMIT BLOCK	2
28	XSBC01039	GRILL REAR COVER	1
29	N/A	INNER BAFFLE	1
30	N/A	THERMOSTAT INSTALLATION COVER	1
31	XRI0060	THERMOSTAT (DIXELL XR03CX)	1
31	XX-THT002	TEMPERATURE SENSOR, NTC	1
32	XRI0056	POWER SWITCH	1
33	XSBC06095	EVAPORATOR COIL	1
34	N/A	SCREW FOR BOTTLE OPENER COMPONENT	4
35	XSBC01150	BOTTLE OPENER	2
36	N/A	BOTTLE OPENER BOARD	2
37	XSBC01151	BOTTLE OPENER COVER	2
38	X17202163121	COMPRESSOR (EM2X3125U/110V/R290)	1
38	H00033K	START KIT FOR EM2X3125U	*
38	X280014	CAP TUBE .055" I.D. X 110.25" L	1
39	X22752520004	FAN MOTOR - CONDENSER	1
40	X16381738122	MOTOR BLADE - CONDENSER	1
41	XRI0122	FAN MOTOR - CONDENSER COVER	1
42	XX-H00341	FILTER DRIER	1
43	XX-H00346	FILTER DRIER MOUNTING BRACKET	1
44	XRI0024	DRAIN TUBE	1
45	XSBC07095	CONDENSER COIL	1
46	XSBC02006	DRAIN PAN - CONDENSER	1
47	XX-2194684	POWER CORD (16AWG, 8.2' NEMA 5-15P)	1
48	XX-H00357	KEY SET OF TWO	3
49	X16351170004	THERMOSTAT WATER PROOF COVER	1
50	N/A	THERMOSTAT BAFFLE	1



PART LIST FOR SLIDE TOP BOTTLE COOLERS:

EBC25X, ECB36X, ECB50X, ECB65X,
ECB80X, AND ECB95X



For Parts Call 704-900-2068, Option #2