

BACK BAR COOLER - 27" DEPTH GLASS SWING DOORS



EBB23-27GX



EBB58-27GX



EBB69-27GX



BB90-27GX

| Models |
|------------|
| EBB23-27GX |
| EBB58-27GX |
| EBB69-27GX |
| EBB90-27GX |

STANDARD FEATURES

- Durable stainless steel top, interior walls, floor and ceiling.
- Exterior construction is attractive corrosion resistant vinyl on steel in black finish.
- Refrigeration system keep the drinks at safe temperatures between 33°F and 41°F .
- Swing glass door, self closing with locks.
- Shelves: Adjustable heavy-duty PVC coated shelves.
- Electronic control system makes it easy to adjust temperature set point and defrost frequency.
- Easy to access condenser coil for cleaning and service.
- Interior efficient LED lighting.
- Uses R290 refrigerant, which is eco-friendly and more efficient.
- 3" swivel casters are included. Option of leveling feet available.
- Warranty: Two year parts & labor, with an additional three years on the compressor.

*Not suitable for installation in a non-commercial or residential applications.

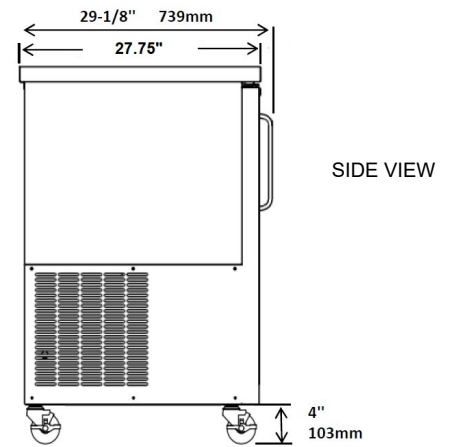
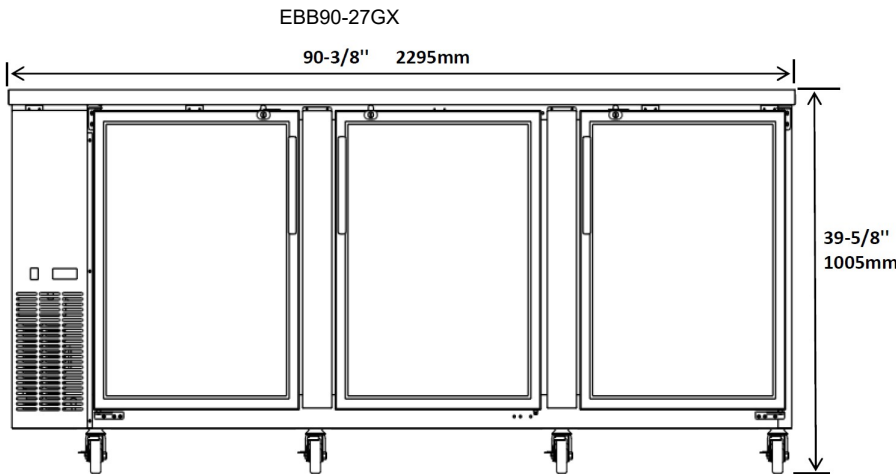
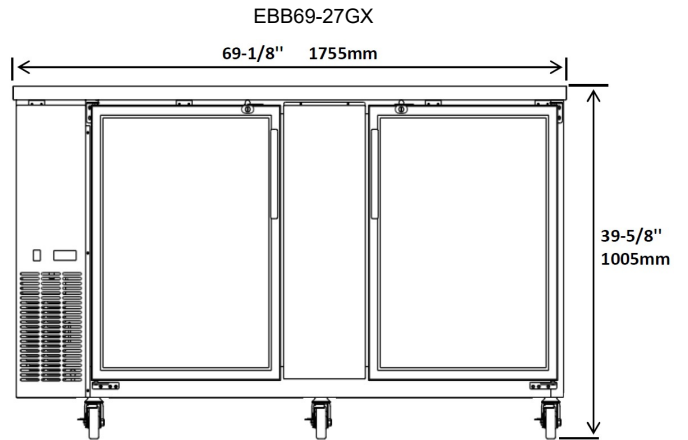
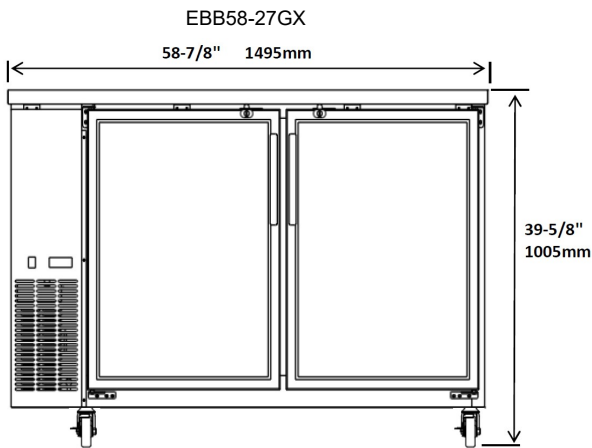
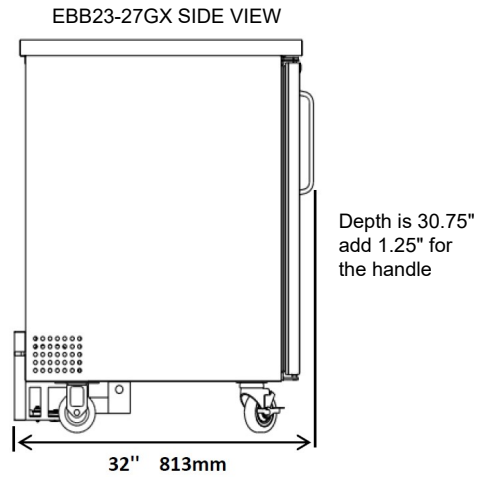
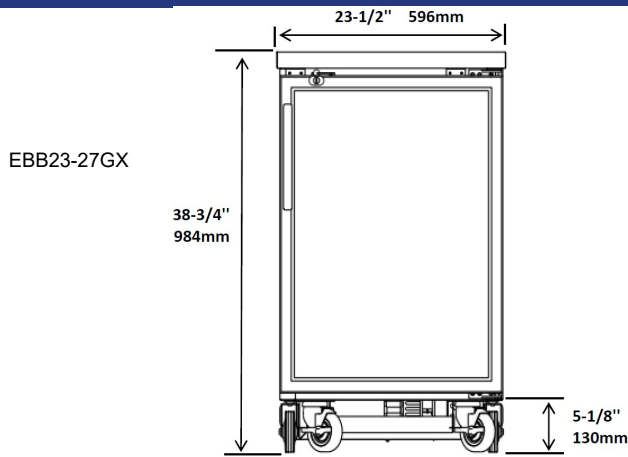
| Items | Description | Items | Description |
|------------------|------------------------------------|----------------------|--|
| Top | Stainless steel top | Temperature control | Solid state thermostat/Digital display |
| Doors | Glass Swing | Approvals | ETL Listed |
| External | Corrosion resistant vinyl on steel | Refrigerating system | Capillary tube |
| Cabinet interior | Stainless steel | Refrigerant | R290 |
| Interior floor | Stainless steel | Temperature range | 33F to 41F |
| Insulation | Polyurethane (CFC free) | Evaporator | Powder coated aluminum/copper |
| Shelves | Heavy duty, PVC coating | Condensing unit | Bottom mounted |

CONFORMS TO NSF/ANSI STD 7



XTRA

DETAILS AND DIMENSIONS



| Model | Doors | Shelves | Cabinet Dim (inches) | | | HP | Voltage | Amps | NEMA Plug | Cord Length | Crated Weight |
|------------|-------|---------|----------------------|-------|--------|-----|----------|------|-----------|-------------|---------------|
| | | | W | D | H | | | | | | |
| EBB23-27GX | 1 | 2 | 23.5 | 30.75 | 38.75 | 1/6 | 115/60/1 | 1.92 | 5-15P | 10 | 176 |
| EBB58-27GX | 2 | 4 | 58.875 | 27.75 | 39.625 | 1/5 | 115/60/1 | 2.88 | 5-15P | 10 | 308 |
| EBB69-27GX | 2 | 4 | 69.125 | 27.75 | 39.625 | 1/5 | 115/60/1 | 3.60 | 5-15P | 10 | 359 |
| EBB90-27GX | 3 | 6 | 90.375 | 27.75 | 39.625 | 1/4 | 115/60/1 | 4.70 | 5-15P | 10 | 418 |