

BACK BAR COOLER 27" DEPTH SOLID - SWING DOORS

Models
EBB23-27X
EBB58-27X
EBB69-27X
EBB90-27X

EBB23-27X



EBB58-27X



EBB69-27X



EBB90-27X



STANDARD FEATURES

- Durable stainless steel top, interior walls, floor and ceiling.
- Exterior construction is attractive corrosion resistant vinyl on steel in black finish.
- Refrigeration system keep the drinks at safe temperatures between 33°F and 41°F .
- Solid swing door, self closing with locks.
- Shelves: Adjustable heavy-duty PVC coated shelves.
- Electronic control system makes it easy to adjust temperature set point and defrost frequency.
- Easy to access condenser coil for cleaning and service.
- Interior efficient LED lighting.
- Uses R290 refrigerant, which is eco-friendly and more efficient.
- 3" swivel casters are included. Option of leveling feet available.
- Warranty: Two year parts & labor, with an additional three years on the compressor.

*Not suitable for installation in a non-commercial or residential applications.

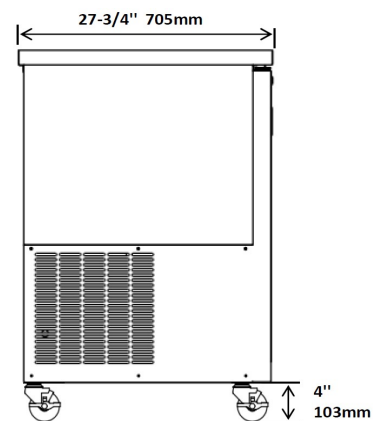
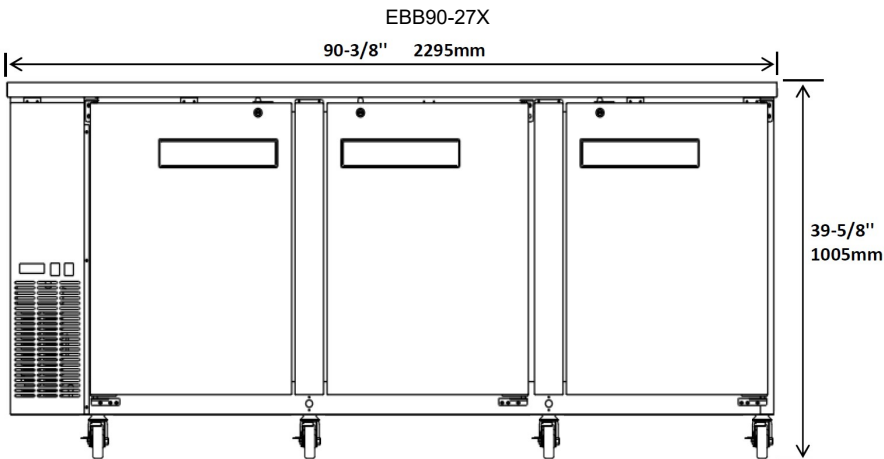
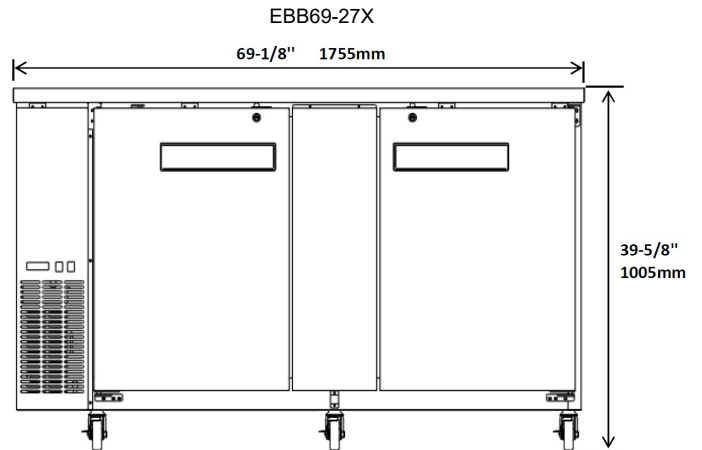
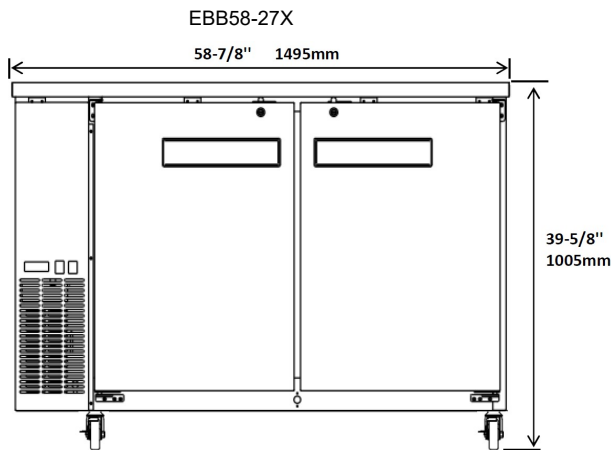
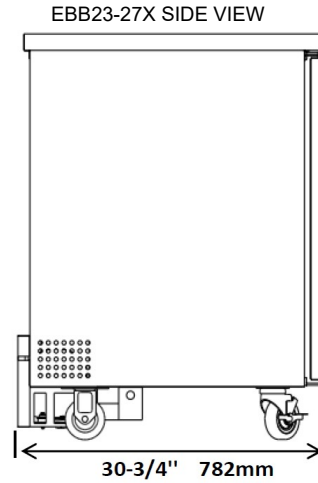
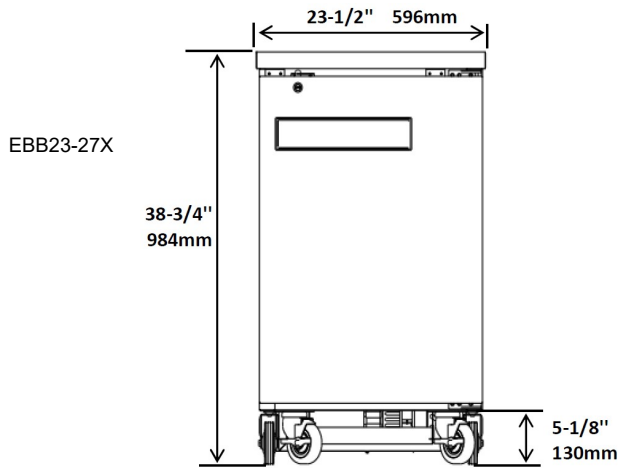
Items	Description	Items	Description
Top	Stainless steel top	Temperature control	Solid state thermostat/Digital display
Doors	Solid Swing	Approvals	ETL Listed
External	Corrosion resistant vinyl on steel	Refrigerating system	Capillary tube
Cabinet interior	Stainless steel	Refrigerant	R290
Interior floor	Stainless steel	Temperature range	33F to 41F
Insulation	Polyurethane (CFC free)	Evaporator	Powder coated aluminum/copper
Shelves	Heavy duty, PVC coating	Condensing unit	Bottom mounted

CONFORMS TO NSF/ANSI STD 7



XTRA

DETAILS AND DIMENSIONS



Model	Doors	Shelves	Cabinet Dim (inches)			HP	Voltage	Amps	NEMA Plug	Cord Length	Crated Weight
			W	D	H						
EBB23-27X	1	2	23.5	30.75	38.75	1/6	115/60/1	1.92	5-15P	10	176
EBB58-27X	2	4	58.875	27.75	39.625	1/5	115/60/1	2.88	5-15P	10	308
EBB69-27X	2	4	69.125	27.75	39.625	1/5	115/60/1	3.60	5-15P	10	359
EBB90-27X	3	6	90.375	27.75	39.625	1/4	115/60/1	4.70	5-15P	10	418