

DIRECT DRAW BEER DISPENSER

24" DEPTH

EBD49-24X

EBD61-24X

EBD73-24X

Optional Towers w/Coupler



Model	Size
EBD49-24X	49" Unit
EBD61-24X	61" Unit
EBD73-24X	72" Unit

STANDARD FEATURES

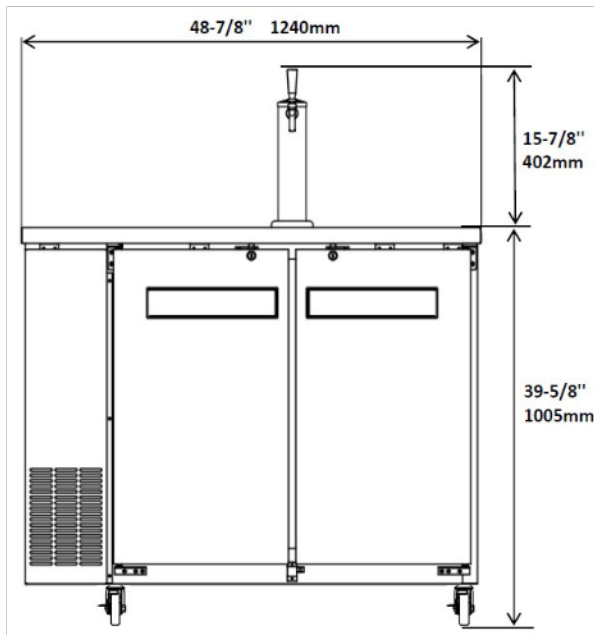
- Stainless steel top and interior, exterior coated steel.
- Cabinet and solid doors are foamed-in-place using a high density, polyurethane insulation.
- Refrigeration system keeps drinks at safe and cold temperatures between 33°F and 41°F
- Electronic control system makes it easy to adjust temperature set point and defrost frequency.
- **Tower options:** All models come standard with a 2 tap tower, add -1T or -3T to your model number for the one or three tap tower.
- Standard with towers and reinforced floor.
- Shelves: Adjustable heavy-duty PVC coated.
- Self-Closing doors with locks.
- Interior efficient LED lighting.
- Easy to access condenser coil for cleaning and service.
- 3" swivel casters included
- Uses R290 refrigerant, which is eco-friendly and more efficient.
- Warranty: Two year parts & labor warranty, and additional three years on compressor.

*Not suitable for installation in a non-commercial, residential applications.

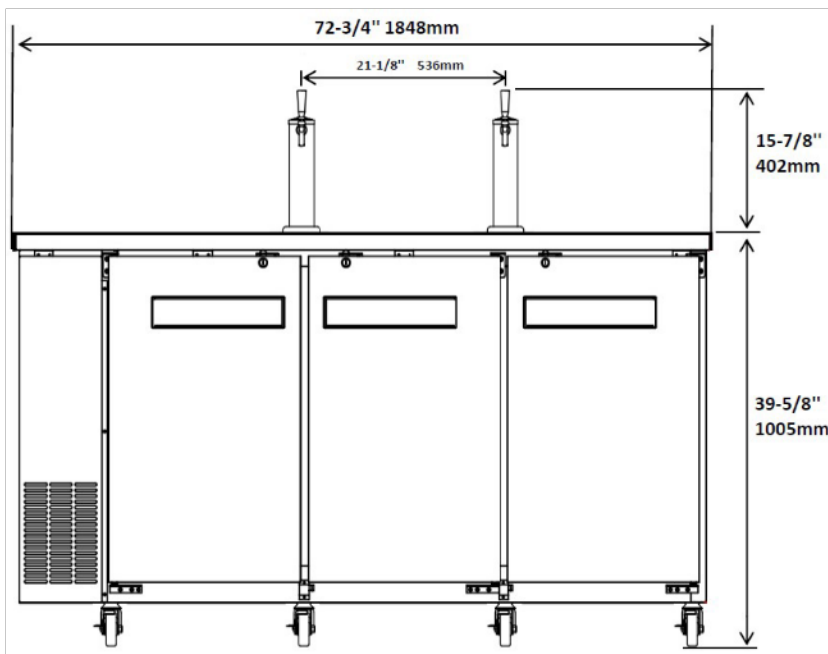
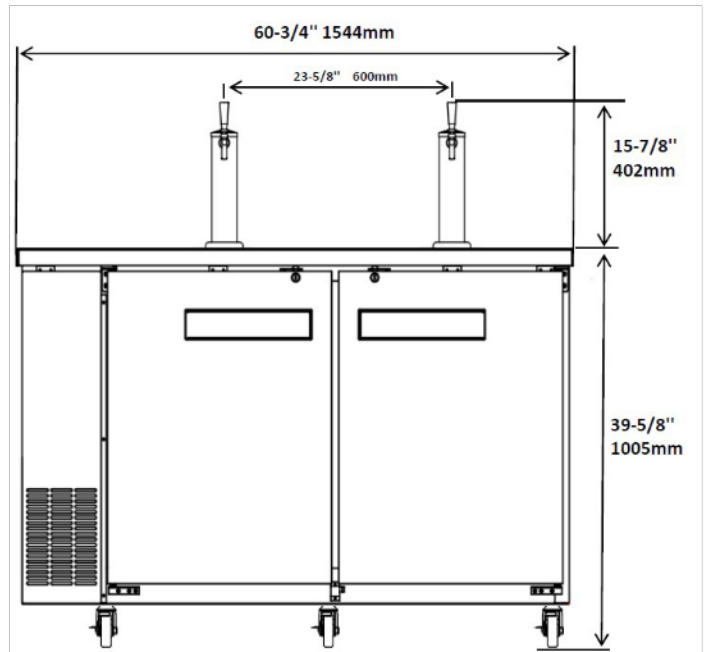
Items	Description	Items	Description
Top & Interior	Stainless steel	Temperature control	Solid state thermostat/Digital display
Doors	Solid coated steel	Approvals	ETL LISTED
External back	Aluminum	Refrigerating system	Capillary tube
Cabinet interior	Stainless Steel	Refrigerant	R290
Interior floor	Reinforced Stainless steel	Temperature range	33F to 41°F
Insulation	High Density Polyurethane (CFC free)	Evaporator	Powder coated aluminum/copper
Shelves	Heavy duty, PVC coating	Condensing unit	Bottom mounted

CONFORMS TO NSF/ANSI STD 7

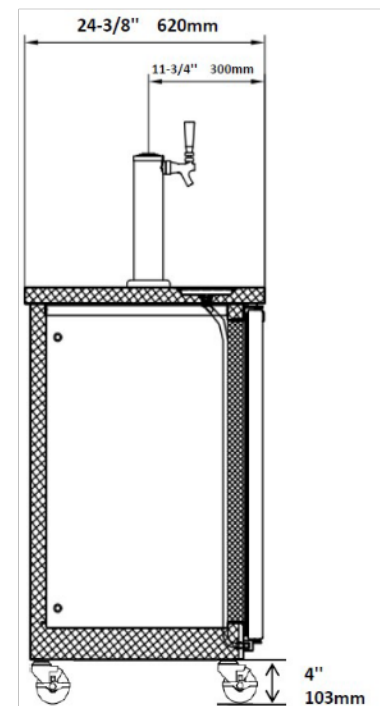
EBD49-24X



EBD61-24X



EBD73-24X



SIDE VIEW ALL

Model	Doors	Barrels 1/2 Keg / 50 L	Cabinet Dim (inches)			HP	Voltage	Amps	NEMA Plug	Cord Length	Ship Weight
			L	D	H						
EBD49-24X	2	2 Barrels	48.875	24.375	39.625	1/5	115/60/1	3.0	5-15P	10	282
EBD61-24X	2	2 Barrels	60.75	24.375	39.625	1/5	115/60/1	3.0	5-15P	10	319
EBD73-24X	3	3 Barrels	72.75	24.375	39.625	1/4	115/60/1	4.0	5-15P	10	385