

Glass Door Refrigerators

REFRIGERATION / FREEZERS



CR1-27-G



CR2-354G

Models
CR1-27-G-HC
CR2-54-G-HC

STANDARD FEATURES

- CFC Free Refrigerant and foam
- Solid state thermostat with digital display
- Stainless steel front and sides
- Heating element consealed in door frame to eliminate any condensation
- Self closing doors remain open past 90°
- Non twist solid mullions on 2 & 3 door units
- Environmentally friendly R290
- EZ slide out condenser
- Integrated door handle
- Whisper quiet
- Solid construction
- Holds sheet pans front to back
- High efficiency polyurethane insulation
- Zero clearance back and sides

***Not suitable for installation in a non-commercial or residential applications.**

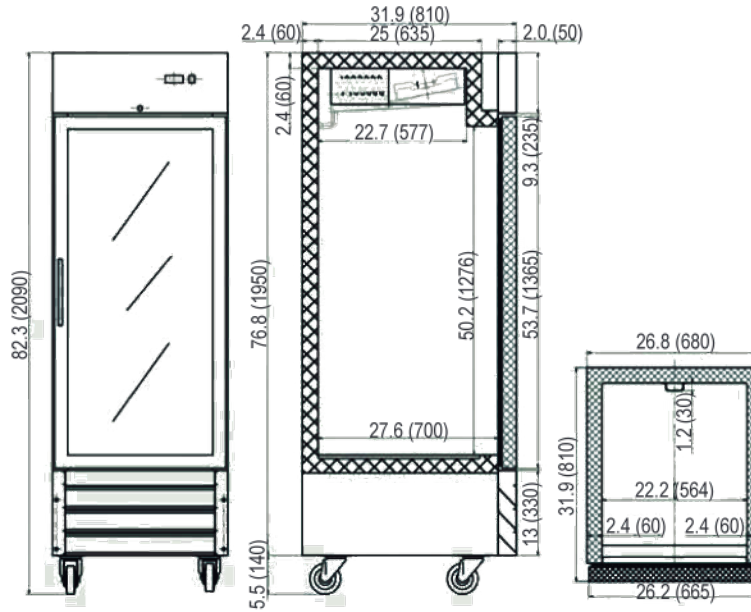
Items	Description	Items	Description
Front, Top & Sides	430 Stainless steel	Temperature control	Solid State T-stat with Digital Display
Door	430 Stainless steel	Comply to standard	ETL Listed
External back	430 Stainless steel	Refrigerating system	Capillary tube
Cabinet internal	Powder Coated Aluminum	Refrigerant	R290
Internal floor	Powder Coated Aluminum	Temperature Range	(CR) 34°F — 38°F
Insulation	Polyurethane (CFC free)	Evaporator/Condenser	Aluminum + Copper
Shelves	Heavy duty, PVC coating – 3 or 4 layers	Condensing unit	Bottom Mounted



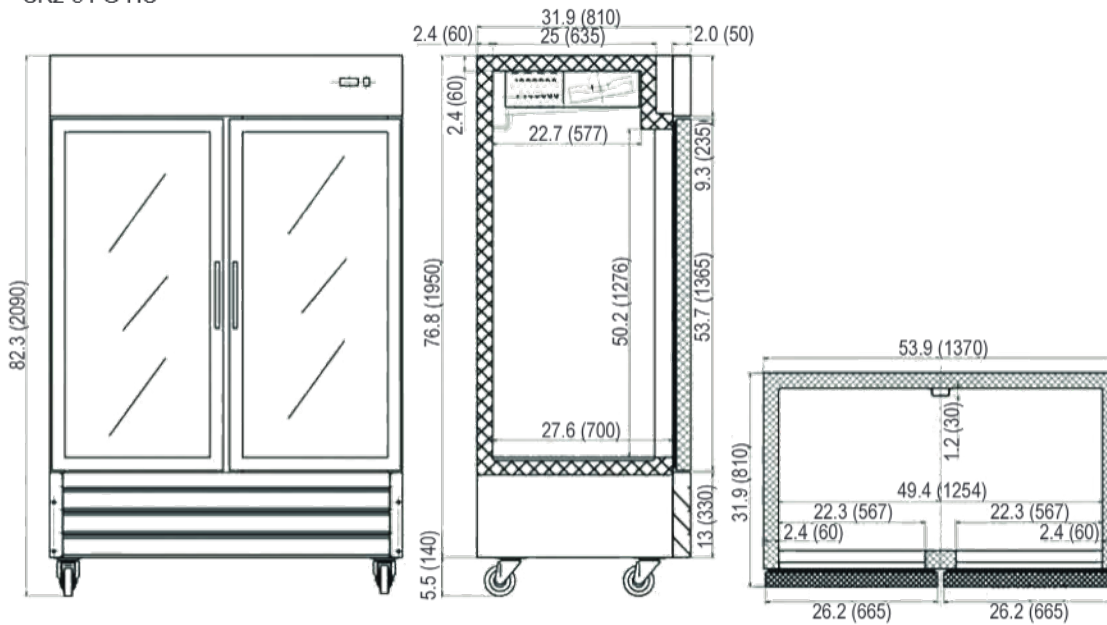


DETAILS AND DIMENSIONS

CR1-27-G-HC



CR2-54-G-HC



Model	Doors	Shelves	Cabinet Dim (in)			HP	Voltage /Hz /ph	Amp	NEMA Plug	Cord Lgth (ft)	Crated Weight (lbs)
			W	D	H						
CR1-27-G-HC	1	4	26.8	31.9	82.7	3/8	115/60/1	6	5-15P	10	366
CR2-54-G-HC	2	8	53.9	31.9	82.7	1/2	115/60/1	9	5-15P	10	597